

D-17552-31

See DCN

**RELEASED**

Date | Modification Count

# WIRING DIAGRAM INDEX

NAME	DESCRIPTION	PAGE
AA	POWER DISTRIBUTION FRC	3
AB	POWER DISTRIBUTION FRC	4
AC	POWER SUPPLY, CIRCUIT PROTECTION 3/4 (EF	5
AD	POWER SUPPLY, CIRCUIT PROTECTION 4/4 (EF	6
AE	GROUNDING	7
AF	STARTING AND CHARGING	8
AG	VEHICLE ECU 1/4 - EMS POWER CONTROL	9
AH	VEHICLE ECU 2/4	10
AI	VEHICLE ECU 3/4	11
AJ	VEHICLE ECU 4/4 - ENGINE BRAKE SWITCHES	12
AK	POWER SUPPLY MANUAL TRANS START	13
AL	GROUNDING OPTIONS	14
AM	CHARGING AND POWER CABLE OPTIONS	15
AN	GROUNDING OPTIONS	16
AQ	POWER DISTRIBUTION	17
BA	INSTRUMENT CLUSTER 1/2	18
BB	INSTRUMENT CLUSTER 2/2	19
BE	COMMUNICATIONS QUALCOMM/OMNIVISION	20
BF	TMC RP1226 PEOPLENET PREP KIT	21
BH	BODYBUILDER	22
BJ	TELEMATICS GATEWAY (TGW)	23
BL	BATTERY BUSSING	24
BM	BODYBUILDER MODULE 2016	25
BP	ISX-G FUEL SYSTEM	26
BY	CUMMINS ADEPT	27
CA	ETHER START/ENGINE HEATER	28
CB	ENGINE CONTROL - VOLVO ENGINE	29
CC	ENGINE CONTROL - ISX EXPORT	30
CD	ENGINE CONTROL - VOLVO EXPORT	31
CE	FUEL FILTER HEATER	32
CF	UREA DOSING SYSTEM 2/3 - OBD 2016	33
CG	UREA DOSING SYSTEM - OBD 2019	34
CH	INSIDE/OUTSIDE AIR CLEANER	35
CL	ENGINE CONTROL - ISX-G 1/2	36
CM	METHANE DETECTION	37
CN	ENGINE CONTROL - ISX US17 1/2	38
CP	ENGINE CONTROL - ISX US17 2/2	39
DA	TRANSMISSION I-SHIFT	40
DB	TRANSMISSION CONTROL EATON AUTOMATICS	41
DE	TRANSMISSION CONTROL 4TH GENERATION 1/2	42
DF	TRANSMISSION CONTROL 5TH GENERATION 2/2	43
DP	PTO	44
EB	SUSPENSION	45
EC	ABS CONTROL BENDIX 1/2	46
ED	ABS CONTROL BENDIX ESC (ELECTRONIC STABI	47
EE	BRAKES TABS6	48
EH	SUSPENSION LIFTABLE PUSHER	49
FA	AIR DRYER/HEATED DRAIN VALVE	50
FB	LIFT AXLES VHD	51
FC	SUSPENSION DUMP, 5TH WHEEL SLIDE	52
FD	DIFFERENTIAL LOCK VN/VHD	53
FE	PUSHER OVERRIDE 8X2	54
FF	5TH WHEEL LOCK	55
FG	TIRE PRESSURE MONITORING SYSTEM	56
FH	DYNAMIC STEERING	57
GA	LIGHTING CONTROL 1/2	58
GB	LIGHTING CONTROL 2/2	59
GC	MARKER LAMPS	60

NAME	DESCRIPTION	PAGE
GD	DRIVING/ SIGNAL LIGHTS	61
GE	DRIVING/ FOG LIGHTS	62
GF	TAIL LAMPS W/ALARM	63
GG	BACK OF CAB LAMPS L1	64
GH	BACK OF CAB LED LAMPS L3, L4, L5	65
GI	SNOW PLOW AND BEACON LAMPS	66
GJ	BEACON LAMPS	67
GK	BACK UP LAMPS WITH ALARM	68
GP	WINDSHIELD WASHER	69
GQ	HORN	70
HA	CLIMATE CONTROL	71
HB	SLEEPER BASE CLIMATE CONTROL W. LECM	72
HC	SHORE POWER	73
HD	SLEEPER W/ LECM L4EH BUNK	74
HE	SLEEPER W/ LECM L4E	75
HF	L3 - L4 SLEEPER FUNCTIONS/LIGHTING/REFRI	76
HG	L5H4 SLEEPER FUNCTIONS	77
HI	CAB MANT. INVERTER W/SHORE POWER	78
HJ	AUXILIARY 12V PARK COOLING SYSTEM L4E	79
HK	SLEEPER CLIMATE CONTROL L3,L4,L5	80
HL	AUXILIARY 12V PARK COOLING SYSTEM L4 AND	81
IA	INTERIOR COURTESY LIGHTS	82
IB	HEATED WINDSHIELD	83
IC	POWER WINDOWS/ MIRRORS W. DCP	84
IE	POWER WINDOWS/ MIRRORS WITH TURN SIGNAL	85
IF	CENTRAL/ REMOTE DOOR LOCKING	86
IG	CIGAR LIGHTER/ AUX POWER (DASH RADIO SHE	87
IH	BRIGHTWORK	88
IR	SEAT BELTS, HEATED SEATS	89
IS	SEAT BOSE	90
JA	SRS AIRBAG CONTROL	91
JE	ADAPTIVE CRUISE CONTROL	92
JF	SIDE OBJECT DETECTION SYSTEM	93
JG	LANE DEPARTURE WARNING SYSTEM	94
JH	SEAT SRS	95
KD	AUDIO SYSTEM- BLUETOOTH/ AUX/ USB	96
KE	AUDIO SYSTEM: DEA 500 SERIES RADIO- 4 SP	97
KF	AUDIO SYSTEM- DEA 500 SERIES RADIO- 6 SP	98
KG	AUDIO SYSTEM- DEA 500 SERIES RADIO- 6 SP	99
KL	AUDIO SYSTEM: SEM 4-SPEAKER AND AUX INPU	100
KM	AUDIO SYSTEM-SEM RADIO 6-SPEAKER	101
KN	SEM AUDIO UNIT	102
KO	INFOTAINMENT	103
MA	TRAILER CABLE	104
MB	TRAILER CABLE OPTIONS	105
MC	TRAILER CABLES/ BODY BUILDER BOX	106
NA	AUXILIARY SWITCHES	107
ND	H. D. POWER LIFT GATE	108
XA	DIAGNOSTICS DL4- J1587 & DL2- J2284	109
XB	DIAGNOSTIC CONNECTOR SCENARIOS	110
XC	DIAGNOSTICS DL1- J1939	111
XD	DIAGNOSTICS DL1 - J939	112
XE	DIAGNOSTICS DL1-1939 - ISX DIESEL EXPORT	113
XF	DIAGNOSTICS DL1-1939 - VOLVO OBD	114
XG	DIAGNOSTICS DL1-1939 - ISX DIESEL 2017	115
XH	DIAGNOSTICS DL1-1939 - ISX GAS	116
XI	DIAGNOSTICS DL1-1939 - VOLVO OBD	117
XJ	DIAGNOSTICS - DL10 - CUMMINS 2016	118

The copying, distribution and utilization of this document as well as the communication of its contents to others without expressed authorization is prohibited. Offenders will be held liable for payment of damages. All rights reserved in the event of the grant of a patent, utility model or ornamental design registration.

Document title  
**12V VOLVO CONVENTIONAL**

The legal owner of this document is as stated under "Design Location" in KOLA and in the associated "Part Version Report"



Document type  
**PRODUCT SCHEMATICS**

Document No	Issue	Volume	Sheet No
<b>22622040</b>	<b>05</b>	<b>1 (2)</b>	<b>1 (118)</b>

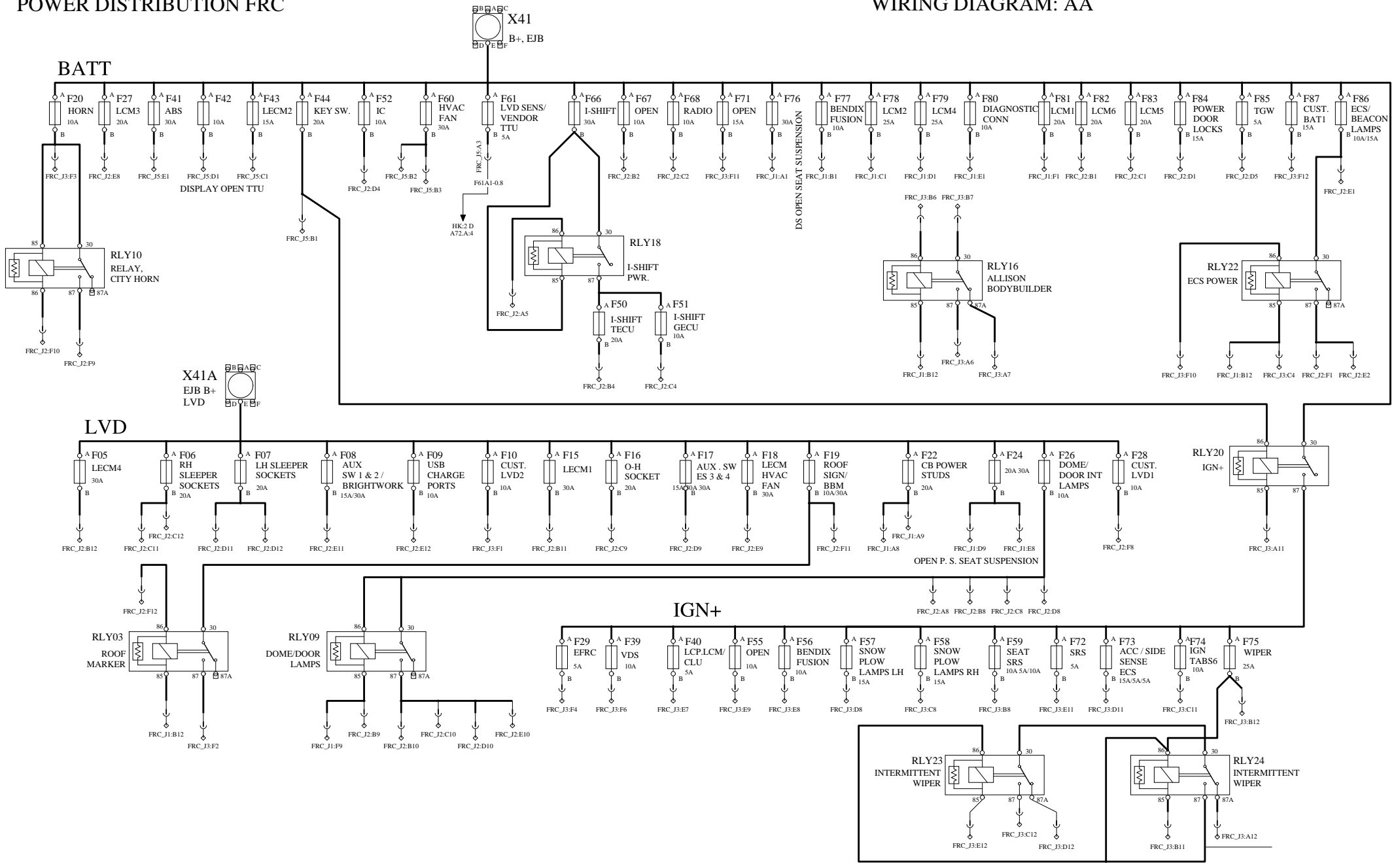
ABBREVIATION LIST, 12V

SHELL CAVITY	HARNESSES	WHERE USED
AAC_DT	DASH OVERLAY	AUX AUDIO
AAC_TS	SLEEPER OVERLAY	AUX AUDIO
ABS_X1	MAIN CAB	ABS JUMPER
ABS_X2	MAIN CAB	ABS JUMPER
ABS_X3	MAIN CAB	ABS JUMPER
ACLD	FUSION A PILLAR	LANE DEPARTURE
AF_AFR	DASH OVLY	AUX COOLING FAN
ALLISON	AUTOTRANS TRANS	ALLISON
AT_CAB_TRANS	MAIN CAB	TRANSMISSION
AUX_SW_PWR	MAIN CAB	MISC SW_PWR
BB_CAB	BODY_BUILDER_CAB	BODY_BUILDER_CHASSIS
BBCBEC	BODY_BUILDER_CAB	BODY_BUILDER_CHASSIS
BBM_1939	MAIN CAB	BODY_BUILDER_CAB
BBTR	BODY_BUILDER_CHASSIS	BB_INTERCONNECTION
BOCLPL	SLEEPER	BACK_OF_CAB_LAMP
BOCLPR	SLEEPER	BACK_OF_CAB_LAMP
DSFC	DS_HARNESSES	REAR_CHASSIS_EXTENSION
EFRC	FRONT_CHASSIS	FUSE_RELAY_CENTER
ESFC	FRONT_CHASSIS	ECS_OVERLAY
FCAC	FRONT_CHASSIS	APADS
FCAE2	FRONT_CHASSIS	BATTERY_PWR
FCCE	FRONT_CHASSIS	REAR_CHASSIS_EXTENSION
FCCL	FRONT_CHASSIS	COOLANT_LEVEL
FCCUT4	FRONT_CHASSIS	UREA_TANK
FCEGO	FRONT_CHASSIS	STANTION_HARNESSES
FCEIC	FRONT_CHASSIS	UREA_DOSING
FCEN	FRONT_CHASSIS	ENGINE
FCFA	FRONT_CHASSIS	ANTENNA
FCHL	FRONT_CHASSIS	HEADLIGHTS_LEFT
FCHLR	FRONT_CHASSIS	HEADLIGHTS_RIGHT
FCRE	TAIL_LAMP_EXT	TAIL_LAMP_EXTENSION
FCTR	FRONT_CHASSIS	TRANSMISSION
FCUT	UREA_TANK	UREA_TANK_EXTENSION
FCWB	FRONT_CHASSIS	WASHER_BOTTLE
FRC_J1	MAIN CAB	FUSE_RELAY_CENTER
FRC_J2	MAIN CAB	FUSE_RELAY_CENTER
FRC_J3	MAIN CAB	FUSE_RELAY_CENTER
FRC_J4	MAIN CAB	FUSE_RELAY_CENTER

SHELL CAVITY	HARNESSES	WHERE USED
FRC_J5	MAIN CAB	FUSE_RELAY_CENTER
FUSEXT	FUSION A PILLAR	LANE DEPARTURE EXTENSION
HLSO	HEADLINER	COURTESY LIGHTS
HOOKUPLP	MAIN CAB	HOOKUP LAMPS
ILLUM_OPT	MISC SWITCH	OPTIONAL ILLUMINATION
MCABS	MAIN CAB	ABS
MCACC	MAIN CAB	OVERLAY_ACC
MCAF	MAIN CAB	AUX_FAN
MCBBM	MAIN CAB	PTO
MCDIAG	MAIN CAB	DIAGNOSTICS
MCDL	MAIN CAB	DOOR-L
MCDR	MAIN CAB	DOOR-R
MCES	MAIN CAB	ECS_OVERLAY
MCFC	MAIN CAB	FRONT_CHASSIS
MCFH	MAIN CAB	SLEEPER
MCHL	MAIN CAB	HOOKUP LAMPS
MCME	MAIN CAB	METHANE
MCOF1	MAIN CAB	ROOF
MCOF2	MAIN CAB	ROOF
MCOF2A	MAIN CAB	SPEAKER
MCOF2B	ROOF	SPEAKER
MCOF3	MAIN CAB	ROOF
MCOF5	METHANE	ROOF
MCQP	MAIN CAB	QUALCOMM PEOPLENET
MCSC	MAIN CAB	STEERING COLUMN
MCSEM	MAIN CAB	INFOTAINMENT
MCTR	MAIN CAB	TRANSMISSION
PB_START	PBSTART_HARNESSES	ENGINE_START
RCECS	CHASSIS ECS OVERLAY	ECS
RCSP	FRONT_CHASSIS	SOLENOID_PACK
RFHL	ROOF	ROOF HEADLINER
RFRS	ROOF	RADIO SHELF
ROMJ	ROOF	METHANE JUMPER
SFSR	SLEEPER_FRONT	SLEEPER_REAR
SLOB	SLEEPER	OVERHEAD BUNK
SLRFHL	ROOF	HEADLINER
TLBU	TAIL_LAMP	BACKUP_ALARM
TLRE	TAIL_LAMP	TAIL_LAMP_EXTENSION

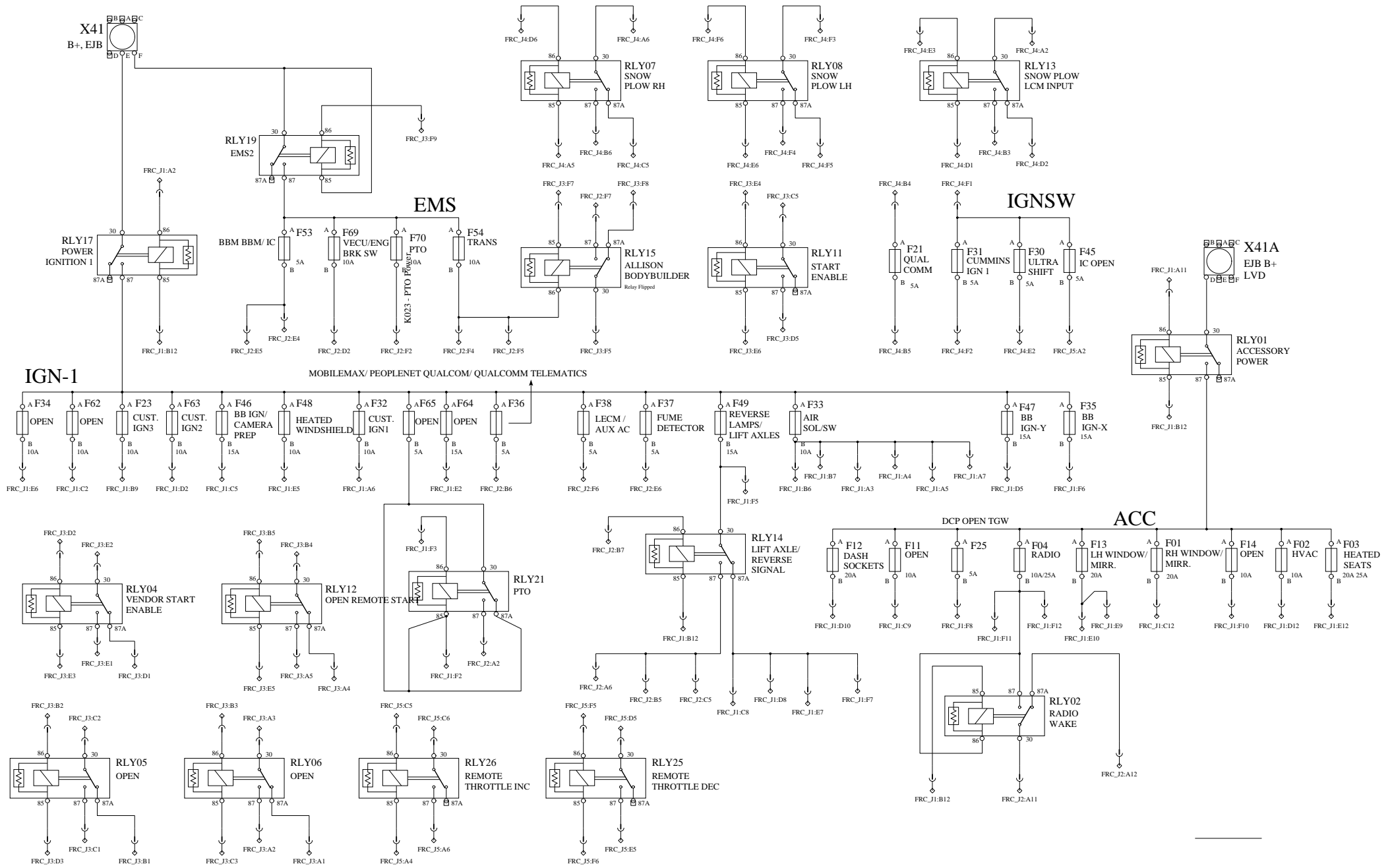
POWER DISTRIBUTION FRC

WIRING DIAGRAM: AA



POWER DISTRIBUTION FRC

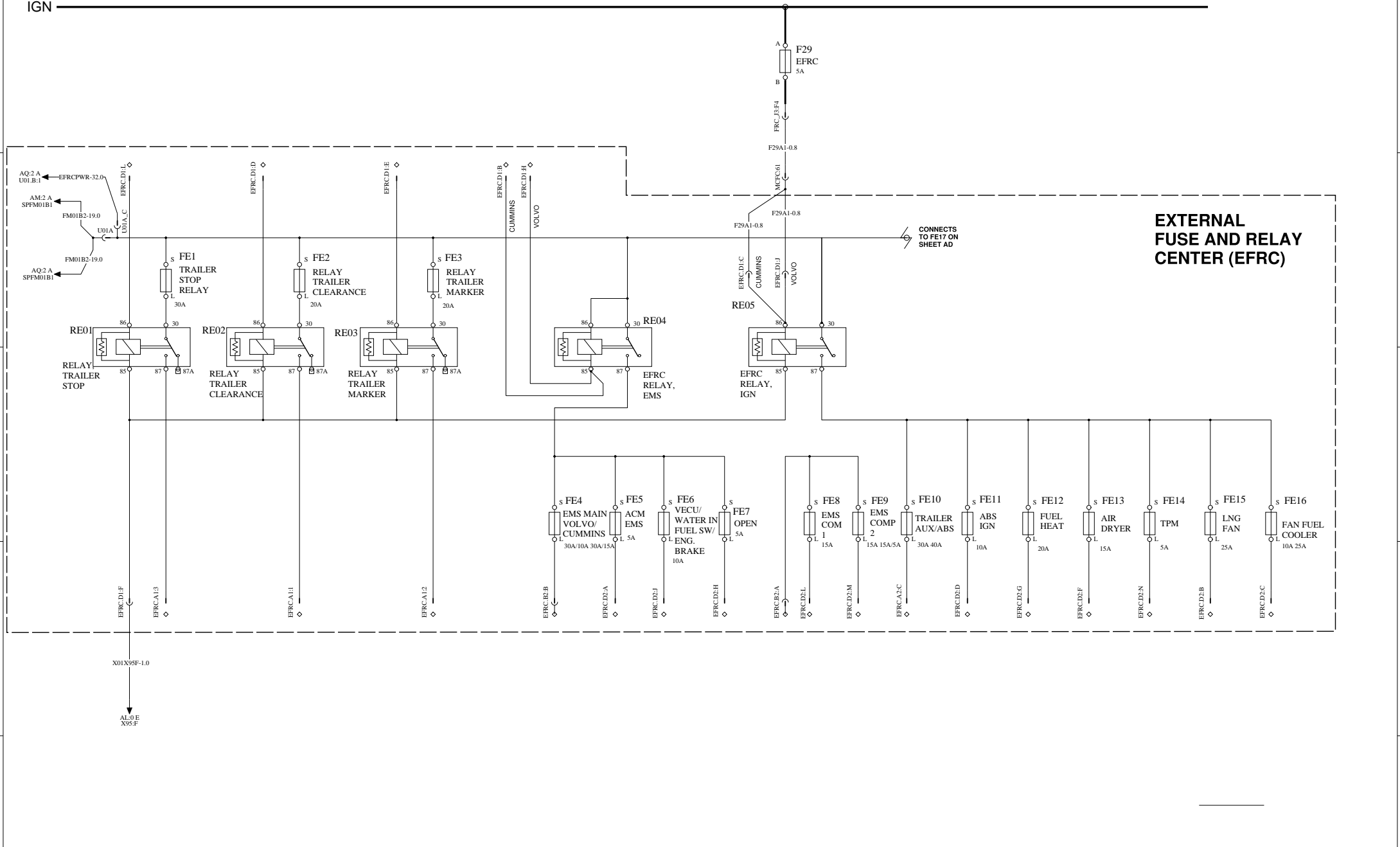
WIRING DIAGRAM: AB

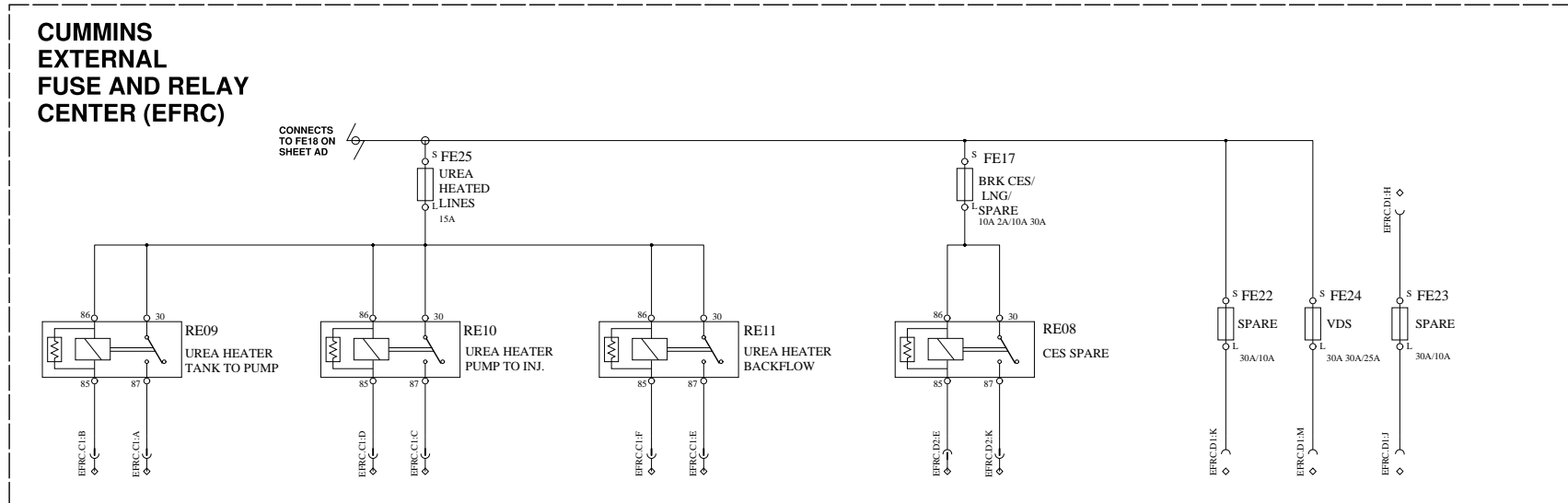
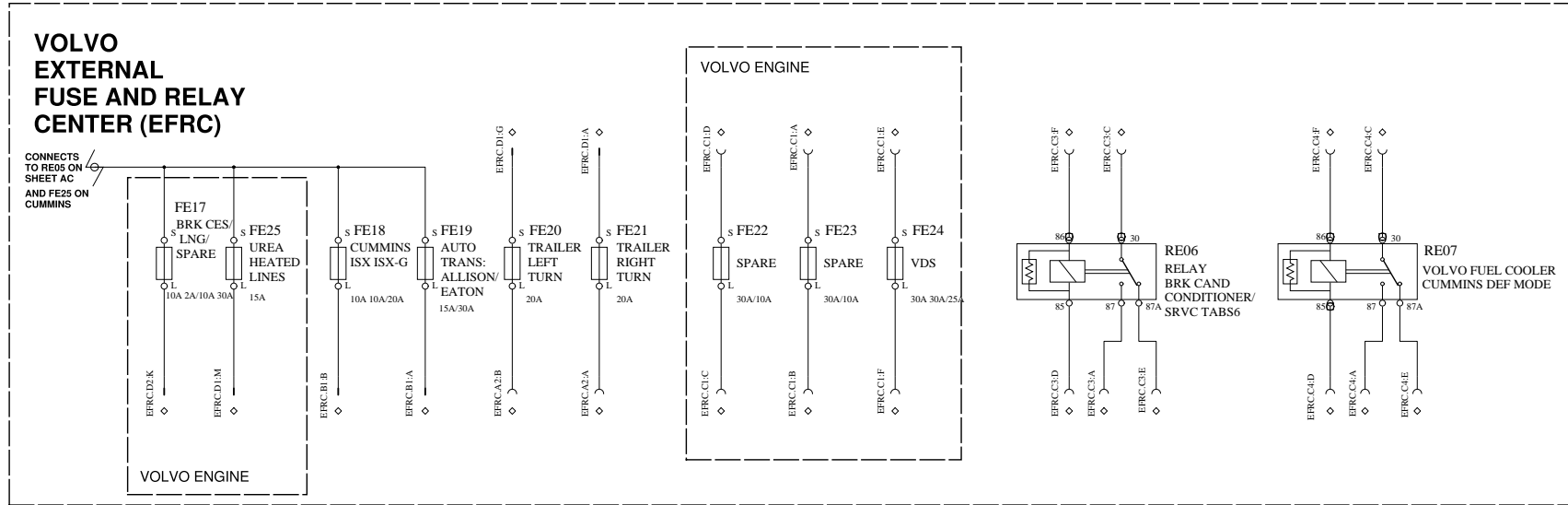


	Document title 12V VOLVO CONVENTIONAL	Document No 22622040	Issue 05	Volume 1 (2)	Page 4 (118)
	Document type PRODUCT SCHEMATIC				

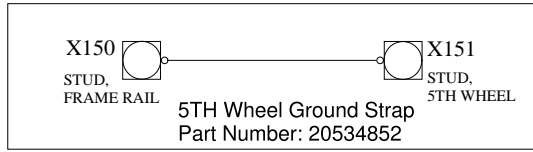


IGN



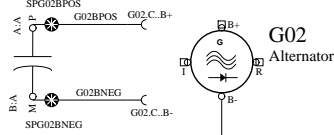


# GROUNDING

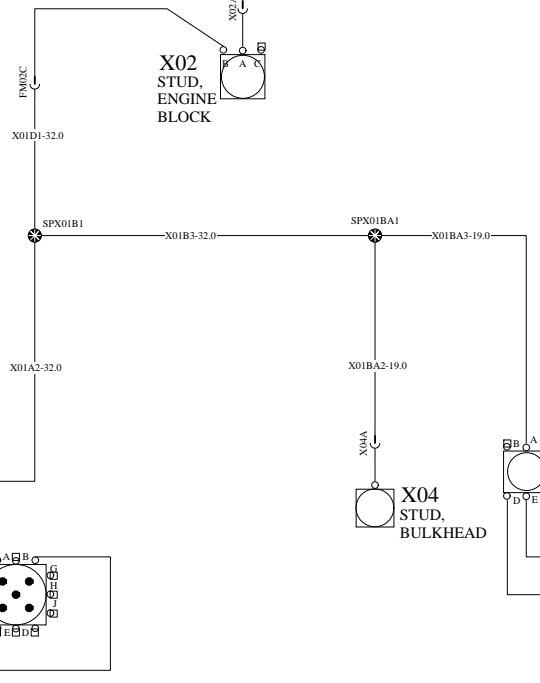
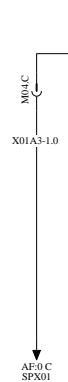
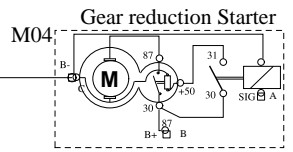


CAPICATOR CONNECTS TO ALTERNATORS ON ALL CUMMINS ENGINES

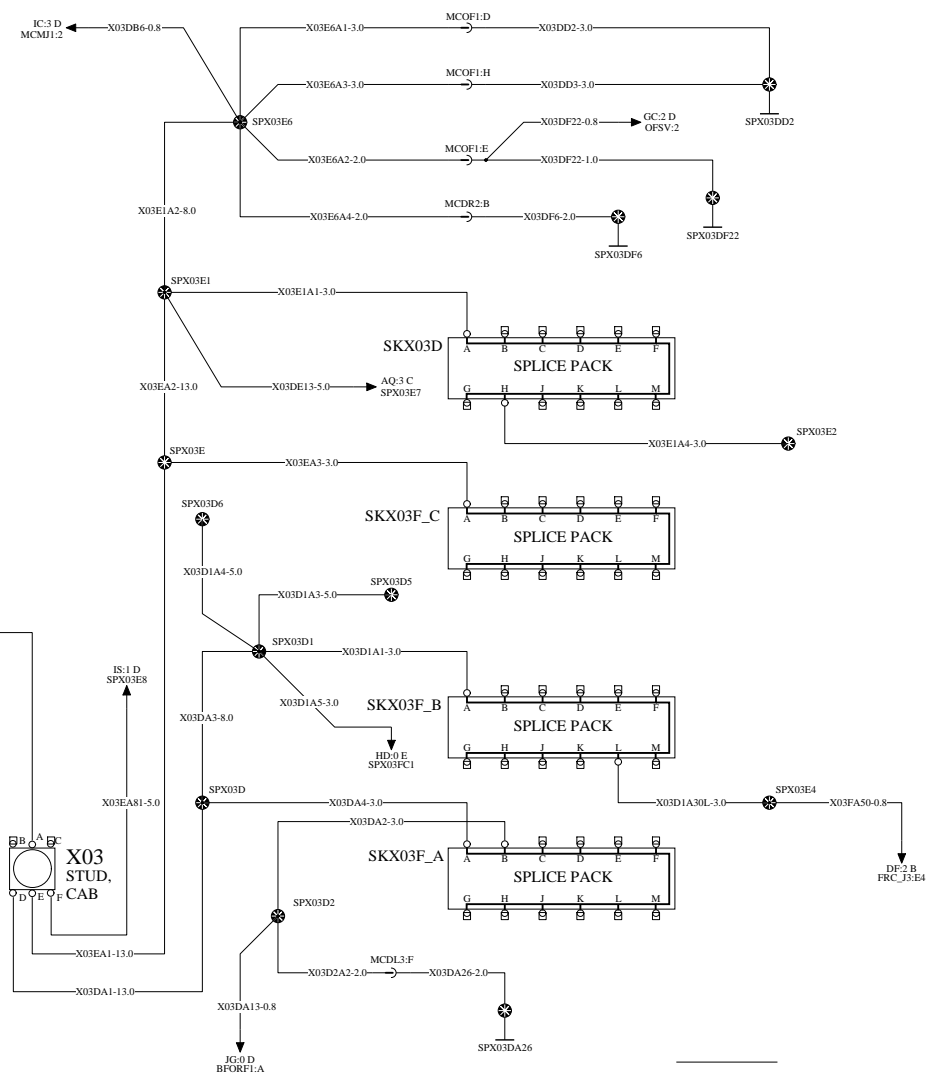
V49 CAPACITOR  
2200uF  
SPG02BPOS

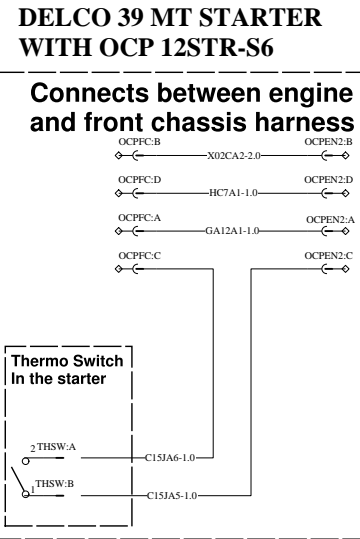
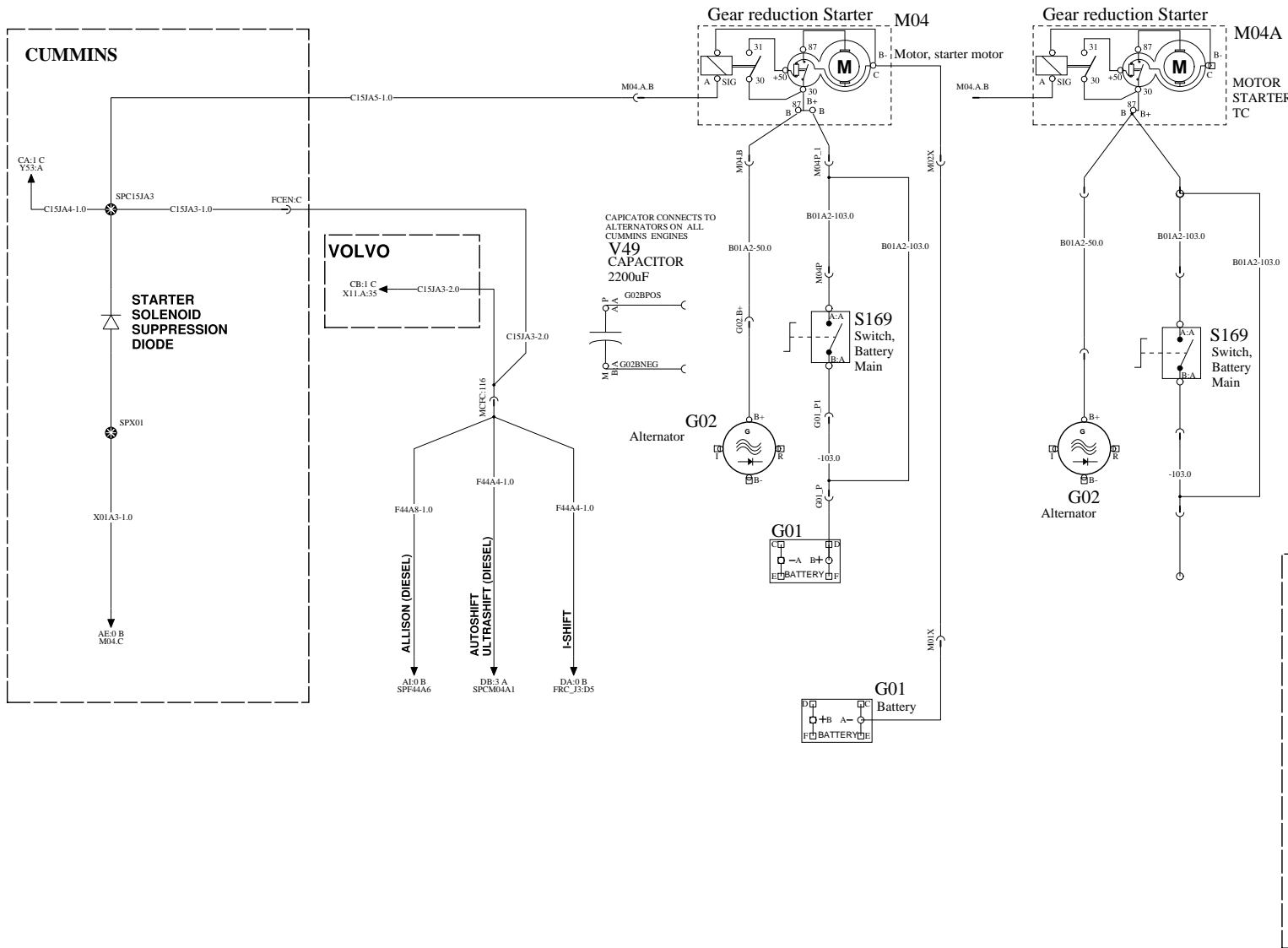


INDIVIDUAL GROUNDING CIRCUITS CONNECTED TO SPLICES, SPLICE PACKS AND GROUNDING STUDS FROM THIS PAGE ARE SHOWN ON PAGES SHOWING THE RESPECTIVE SYSTEM.



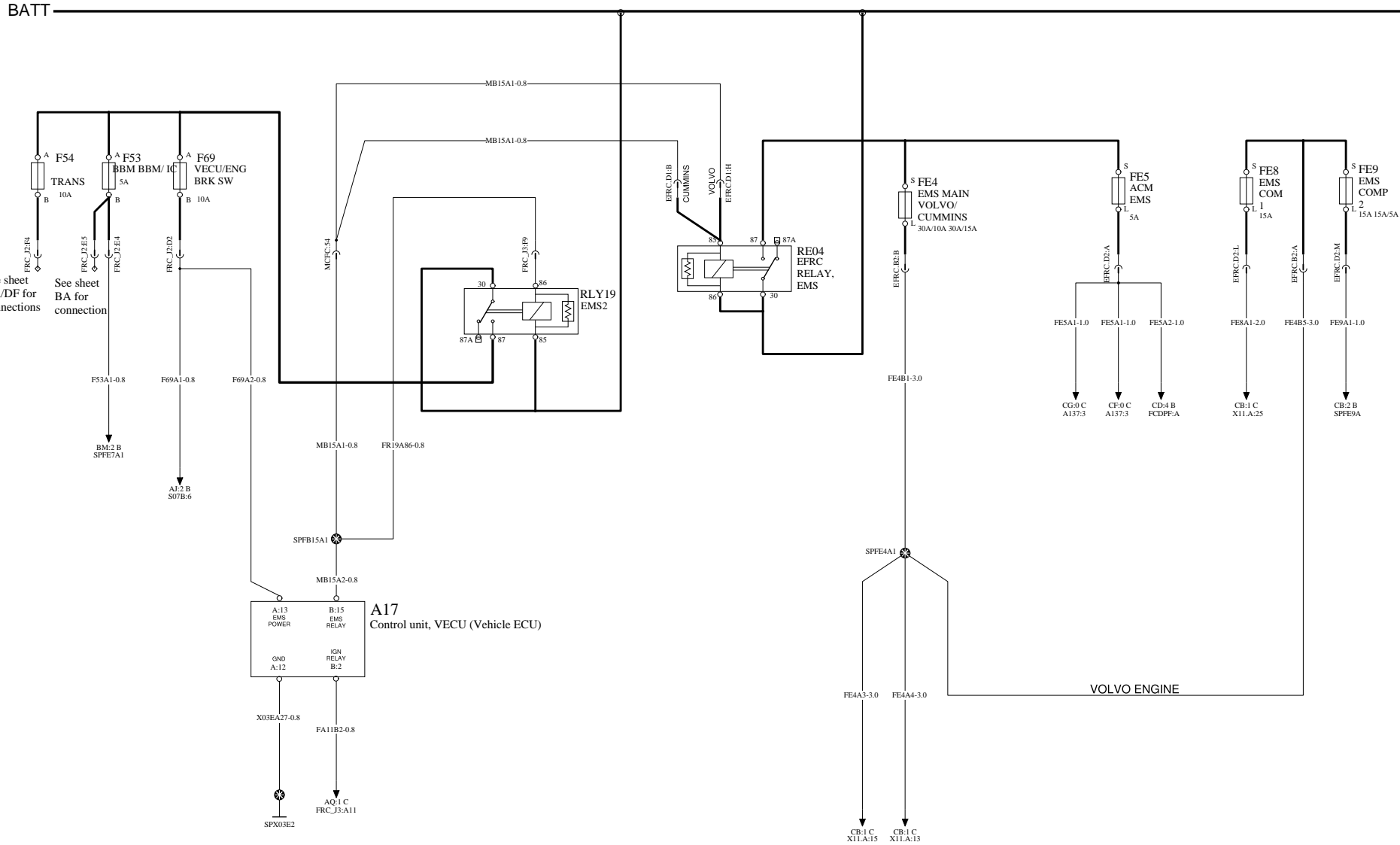
# WIRING DIAGRAM: AE

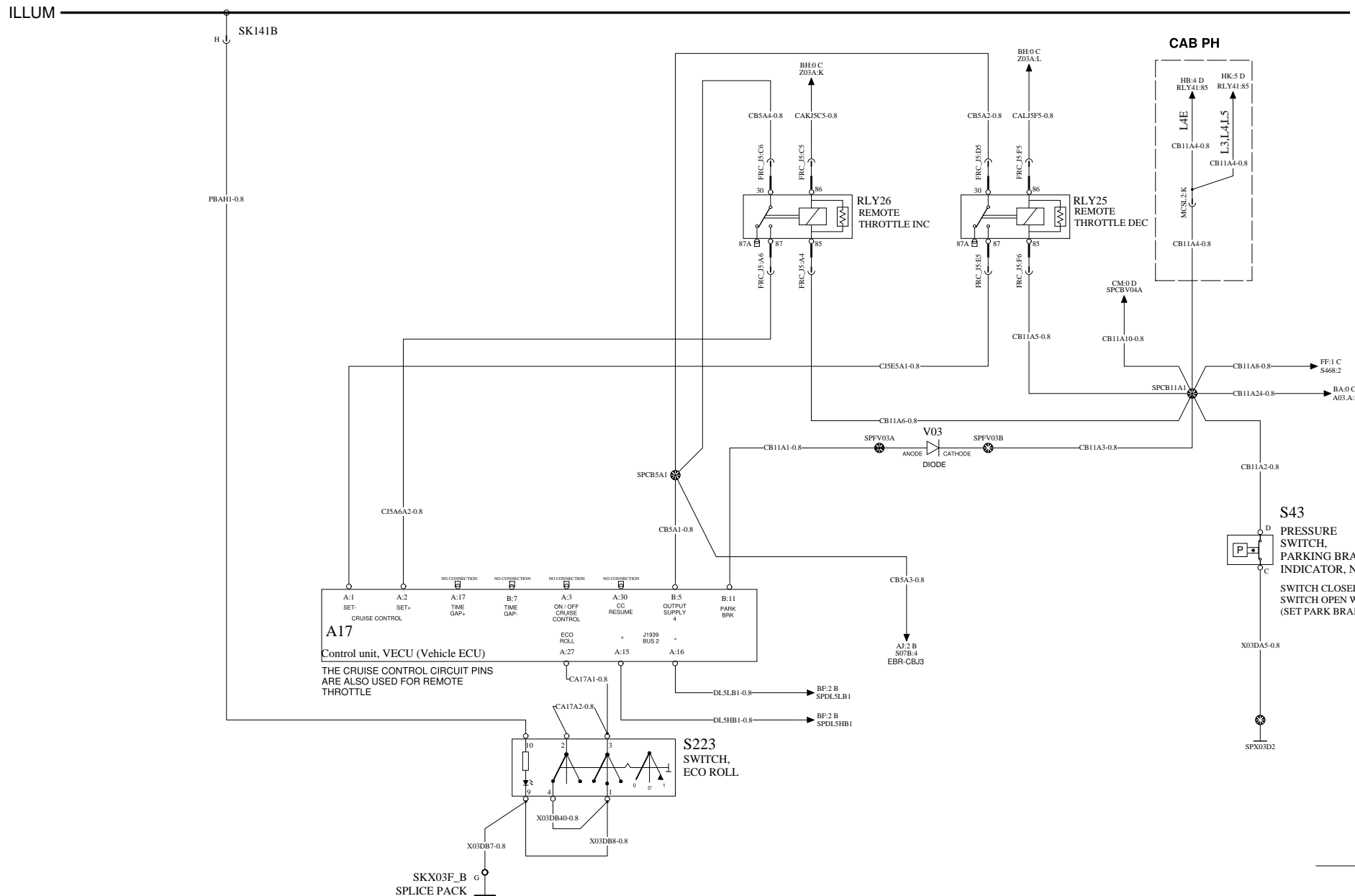




VEHICLE ECU 1/4 - EMS POWER CONTROL

WIRING DIAGRAM: AG



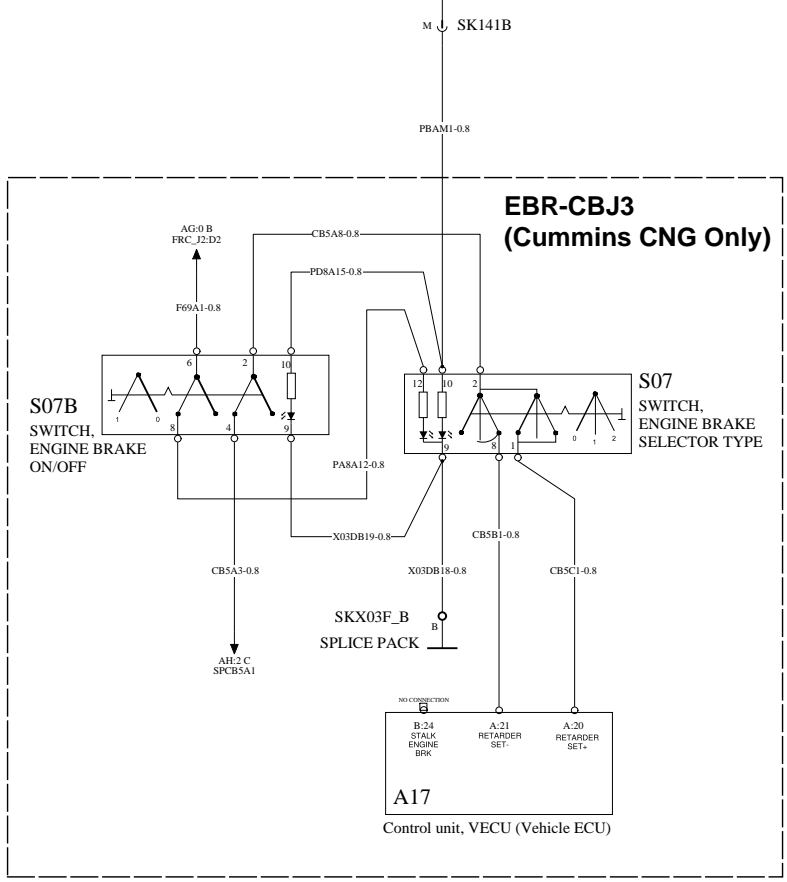




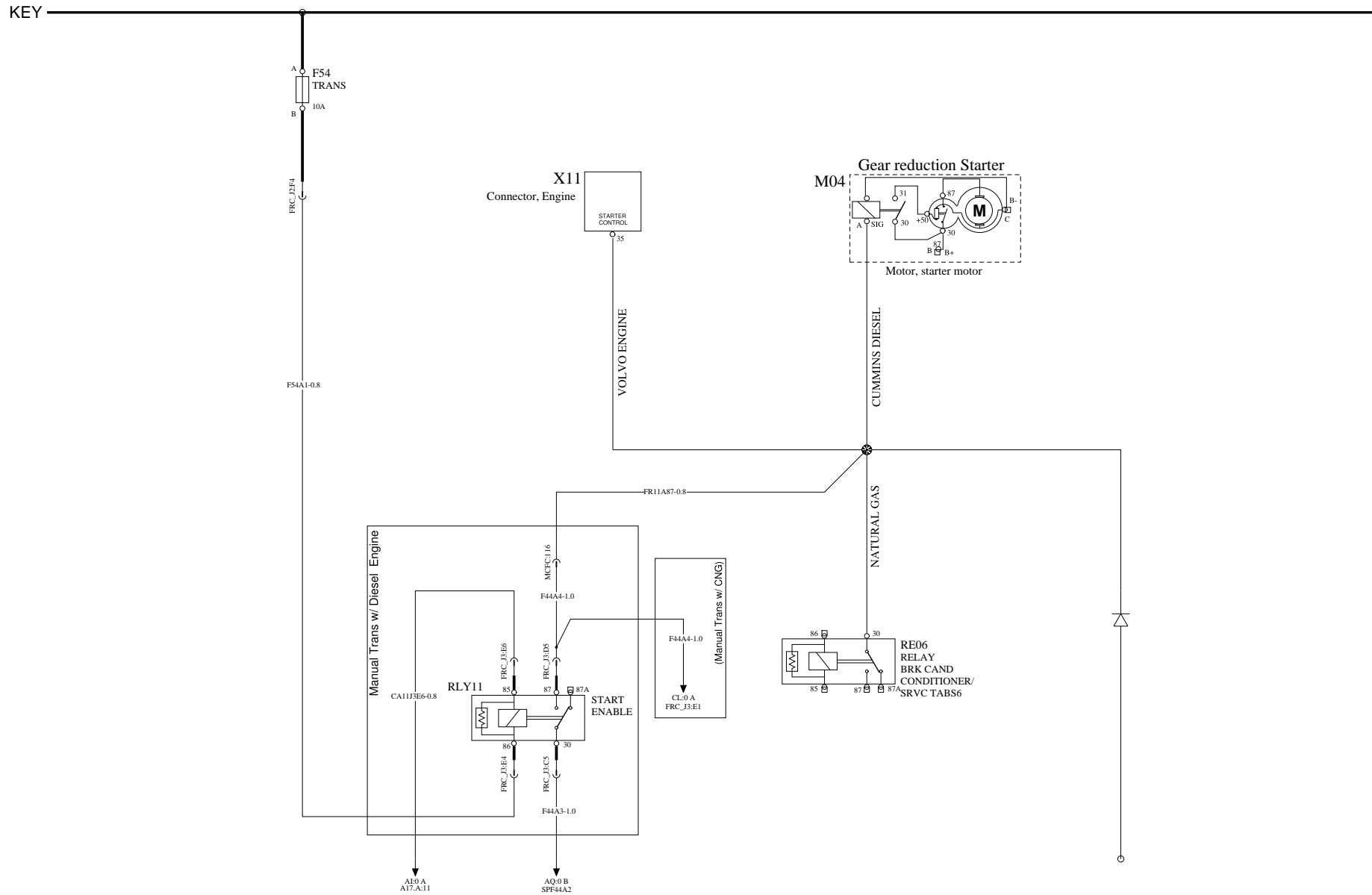
# VEHICLE ECU 4/4 - ENGINE BRAKE SWITCHES

# WIRING DIAGRAM: AJ

ILLUM



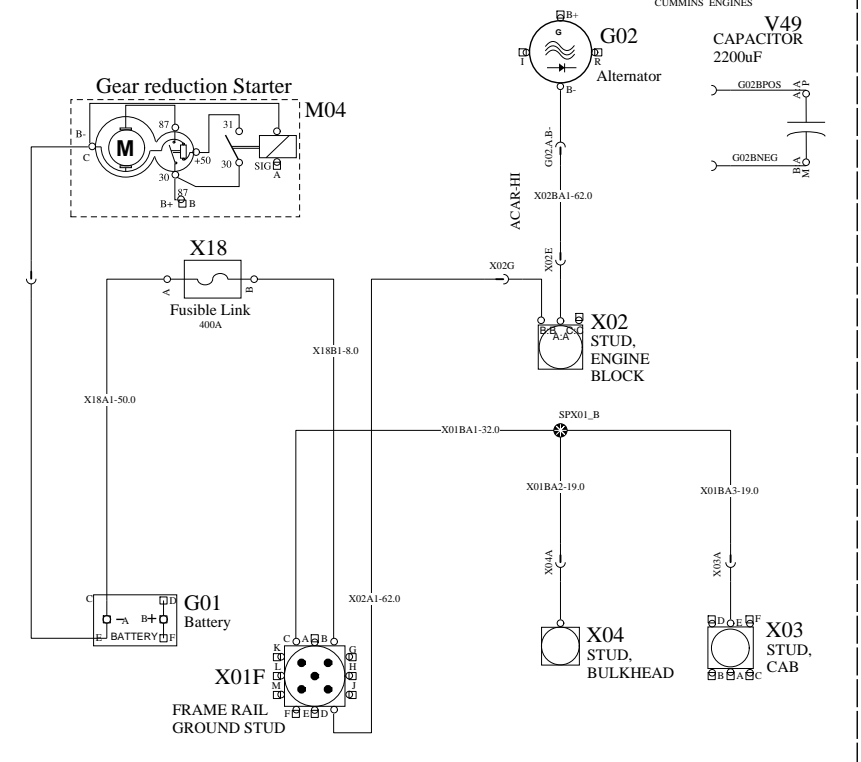




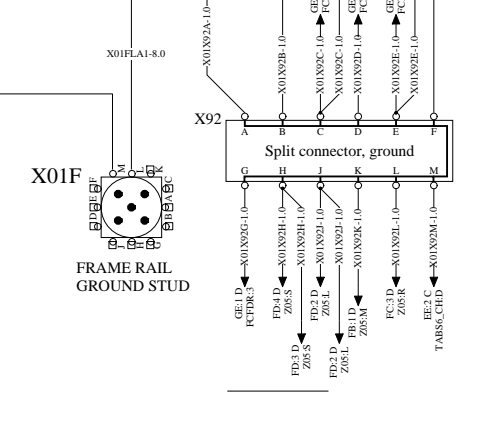
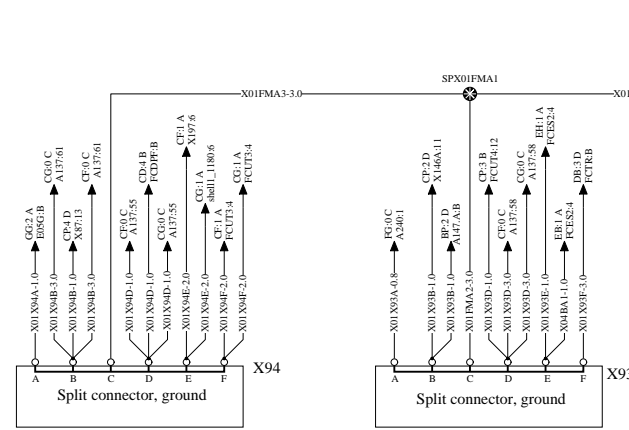
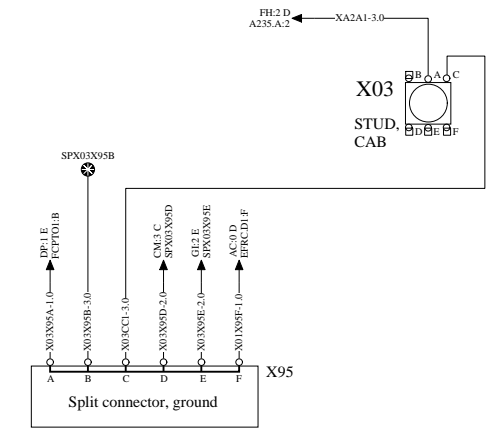
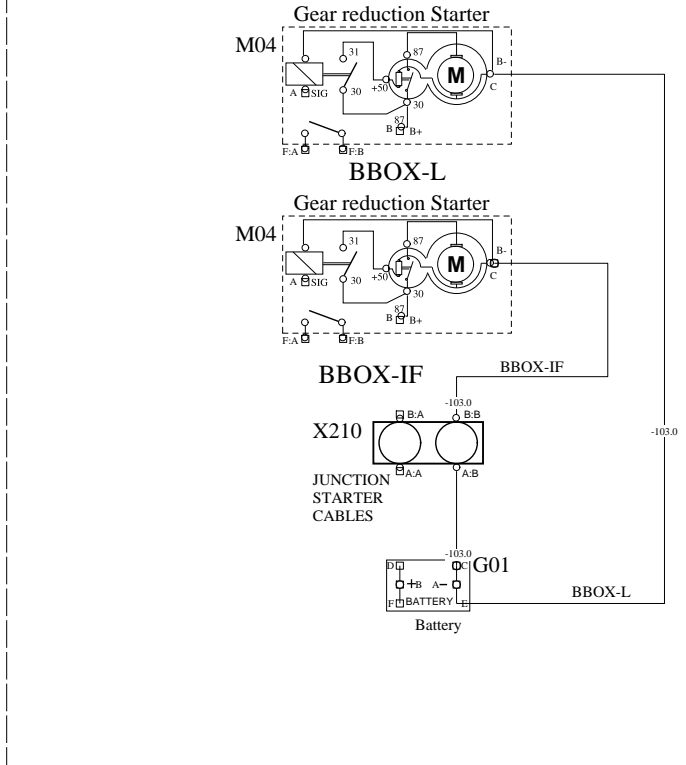
GROUNDING OPTIONS

WIRING DIAGRAM: AL

APCS\_B BBOX-L ACAR-HI



MAINSWBG REMOTE DISCONNECT



Document title 12V VOLVO CONVENTIONAL	Document No 22622040	Issue 05	Volume 1 (2)	Page 14 (118)
Document type PRODUCT SCHEMATIC				

# CHARGING AND POWER CABLE OPTIONS

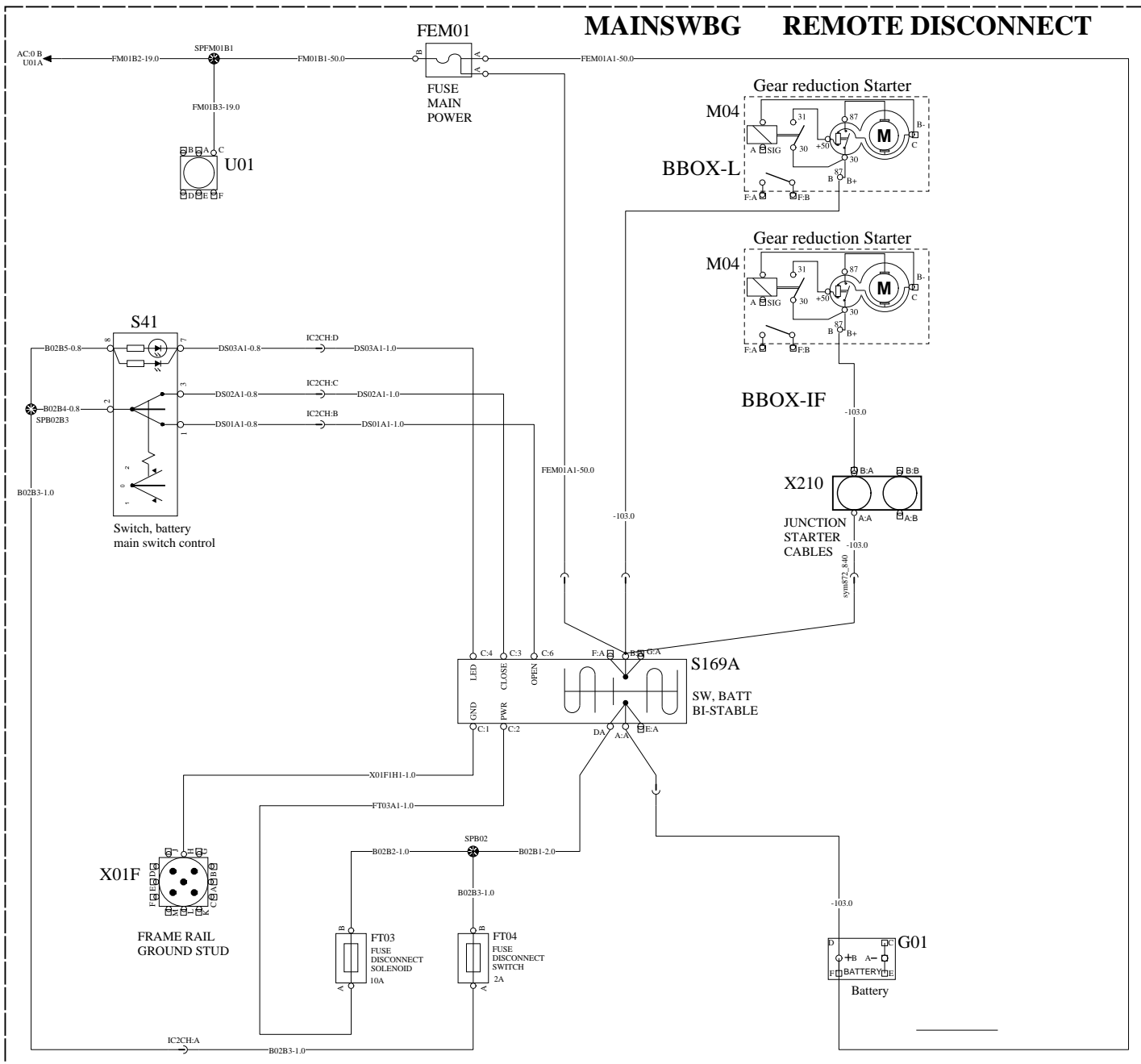
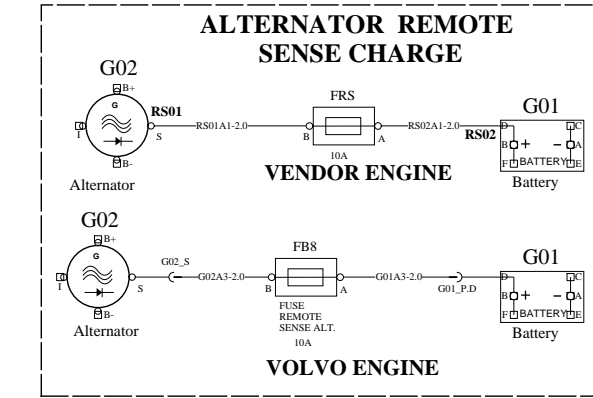
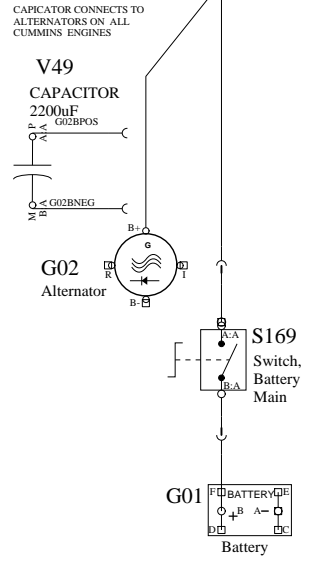
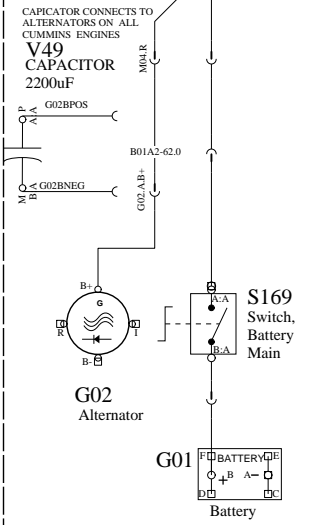
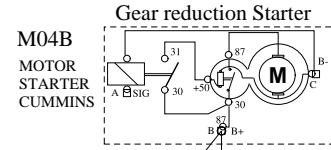
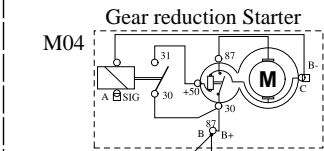
# WIRING DIAGRAM: AM

## ACAR-HI BBOX-L

## ENG-CU15 BBOX-IF

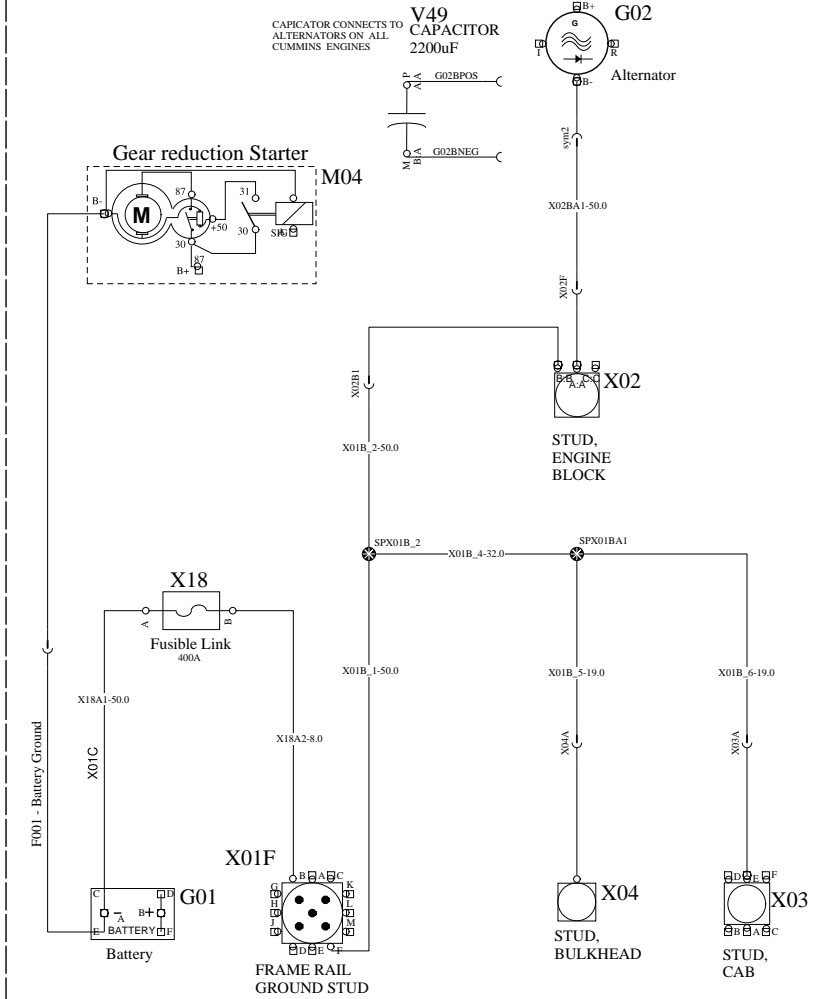
## MAINSWBG

## REMOTE DISCONNECT

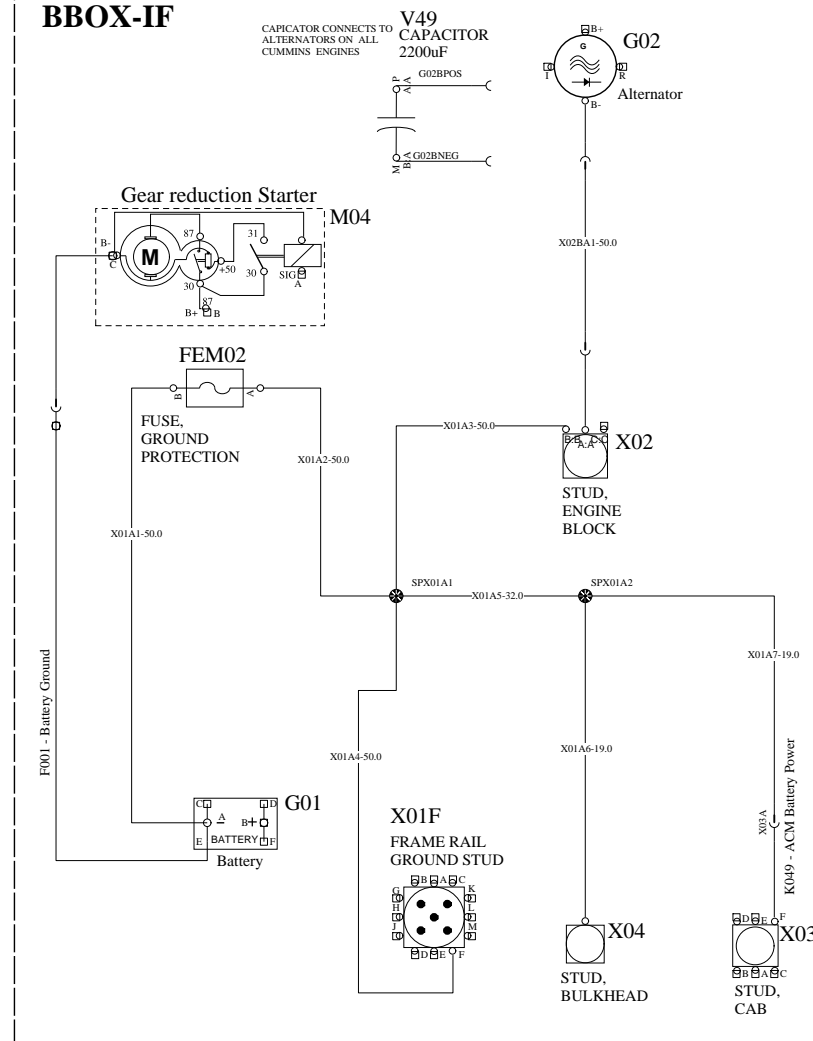


Document title 12V VOLVO CONVENTIONAL	Document No 22622040	Issue 05	Volume 1 (2)	Page 15 (118)
Document type PRODUCT SCHEMATIC				

**BBOX-RM, BBOX-LB**

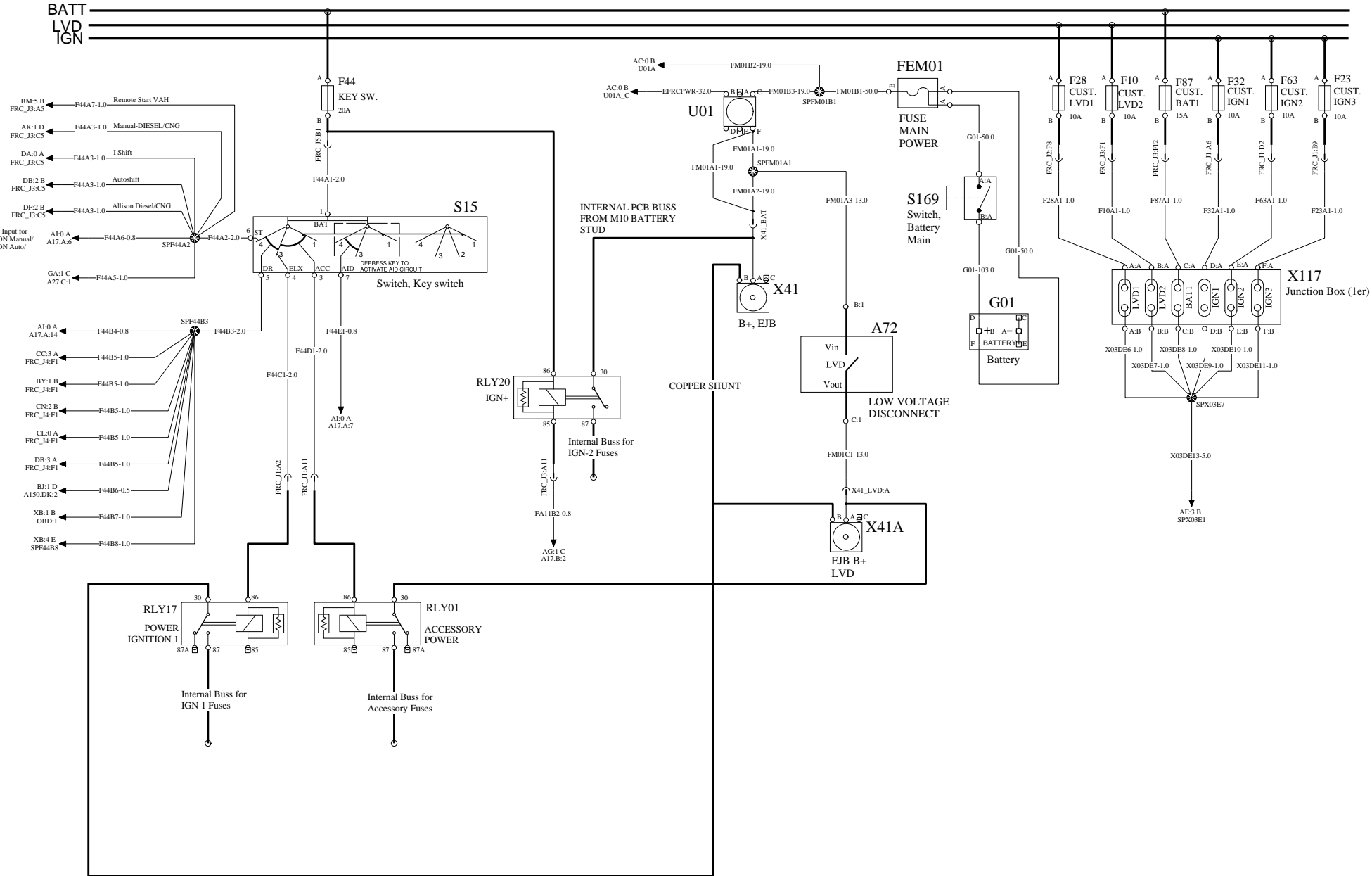


**BBOX-IF**



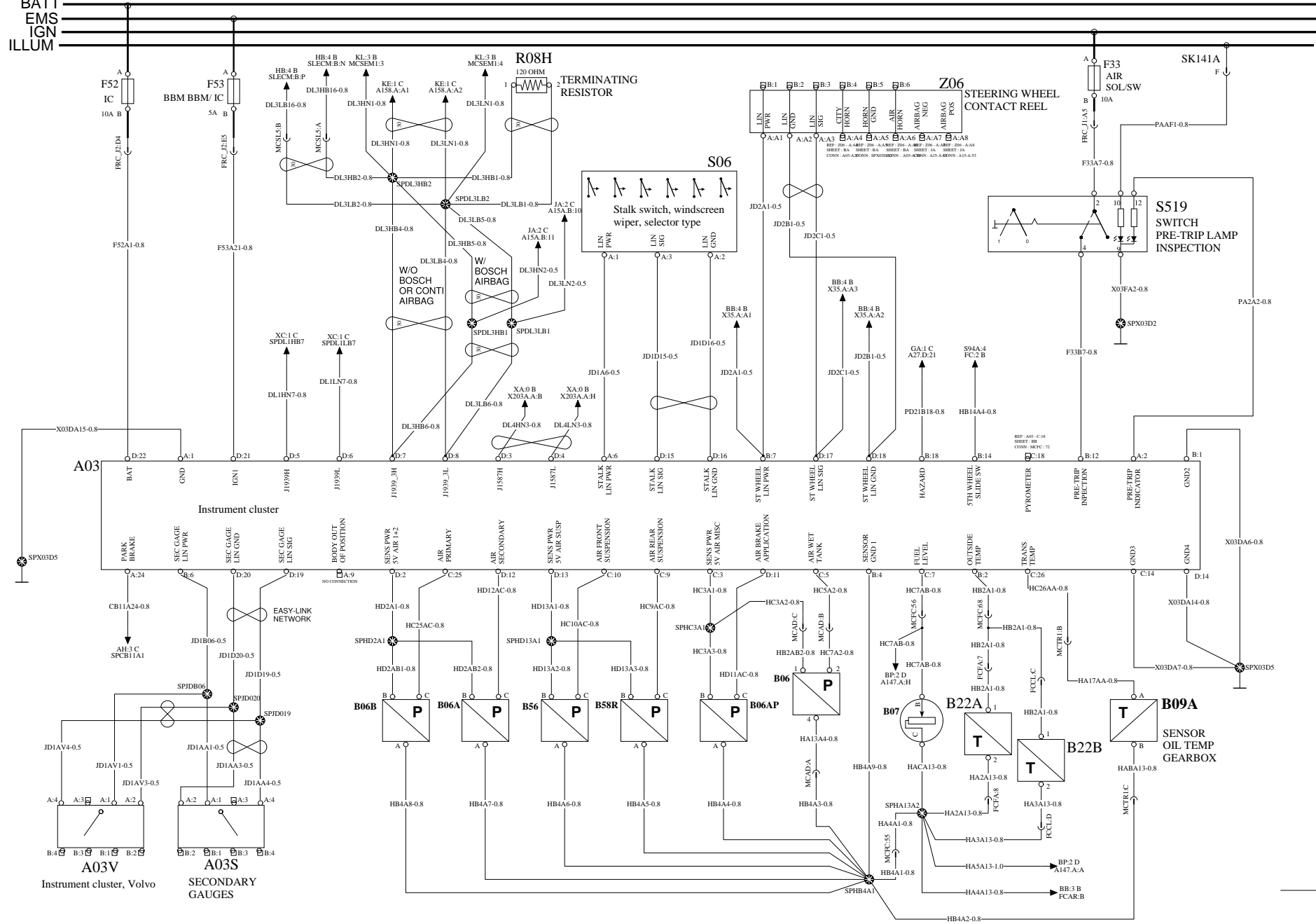
POWER DISTRIBUTION

WIRING DIAGRAM: AQ

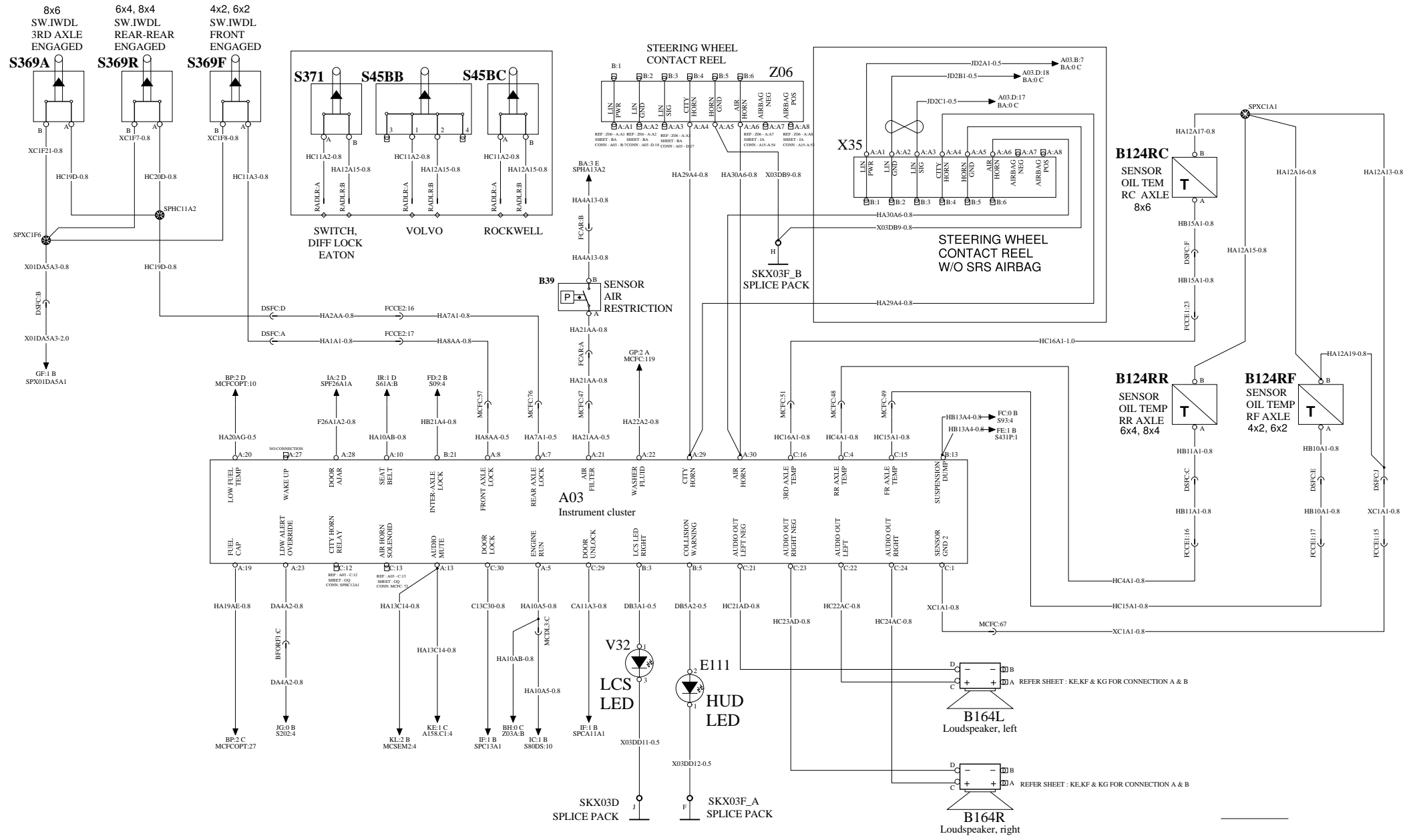


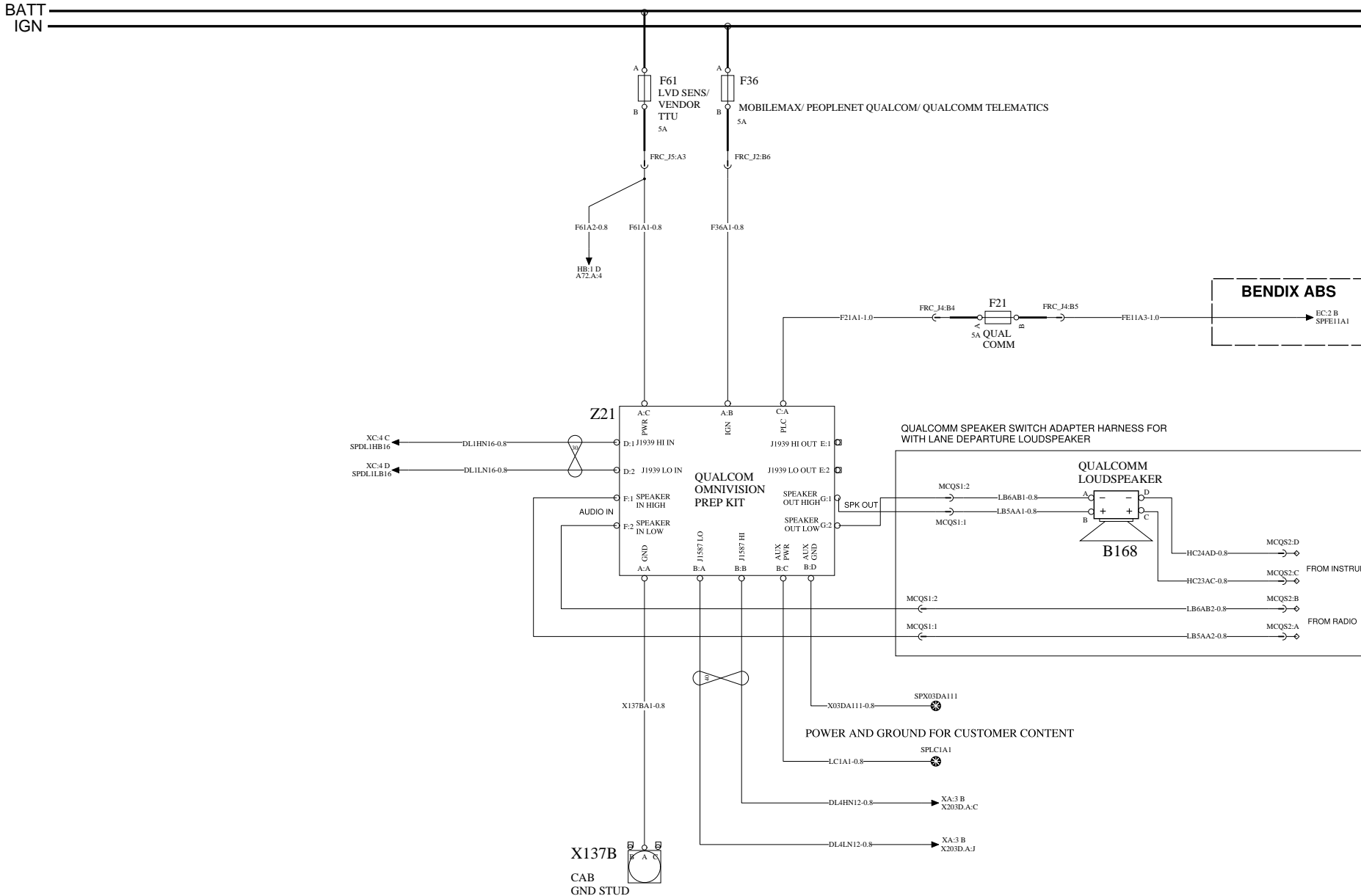
INSTRUMENT CLUSTER 1/2

WIRING DIAGRAM: BA

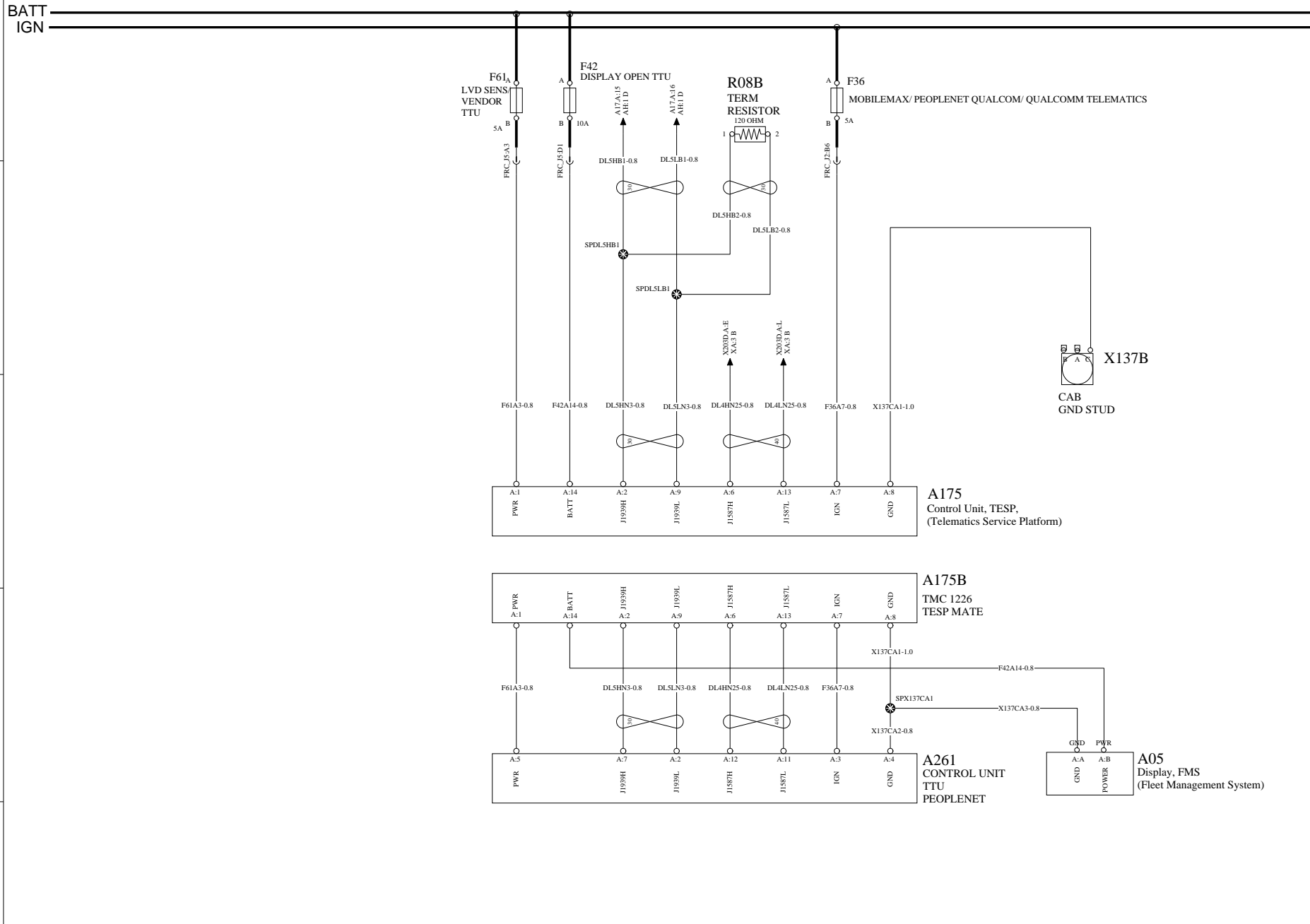


	Document title	Document No	Issue	Volume	Page
	12V VOLVO CONVENTIONAL	22622040	05	1 (2)	18 (118)
	Document type				
	PRODUCT SCHEMATIC				



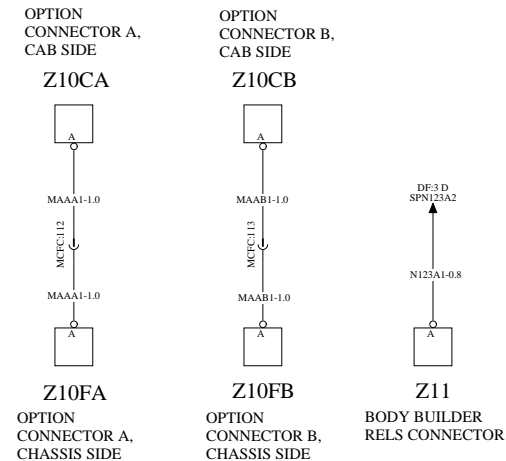
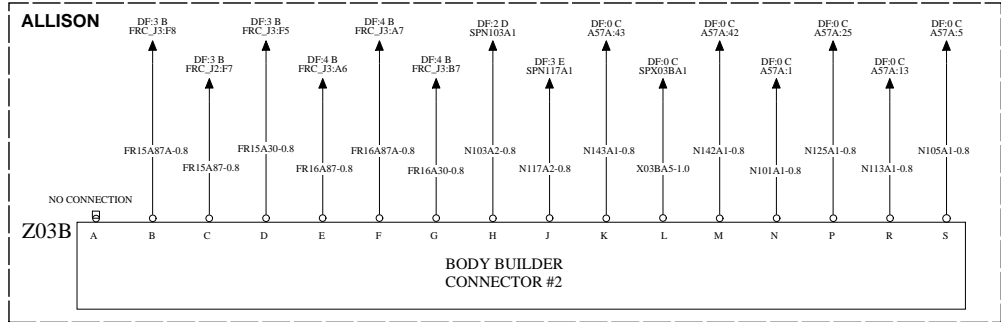
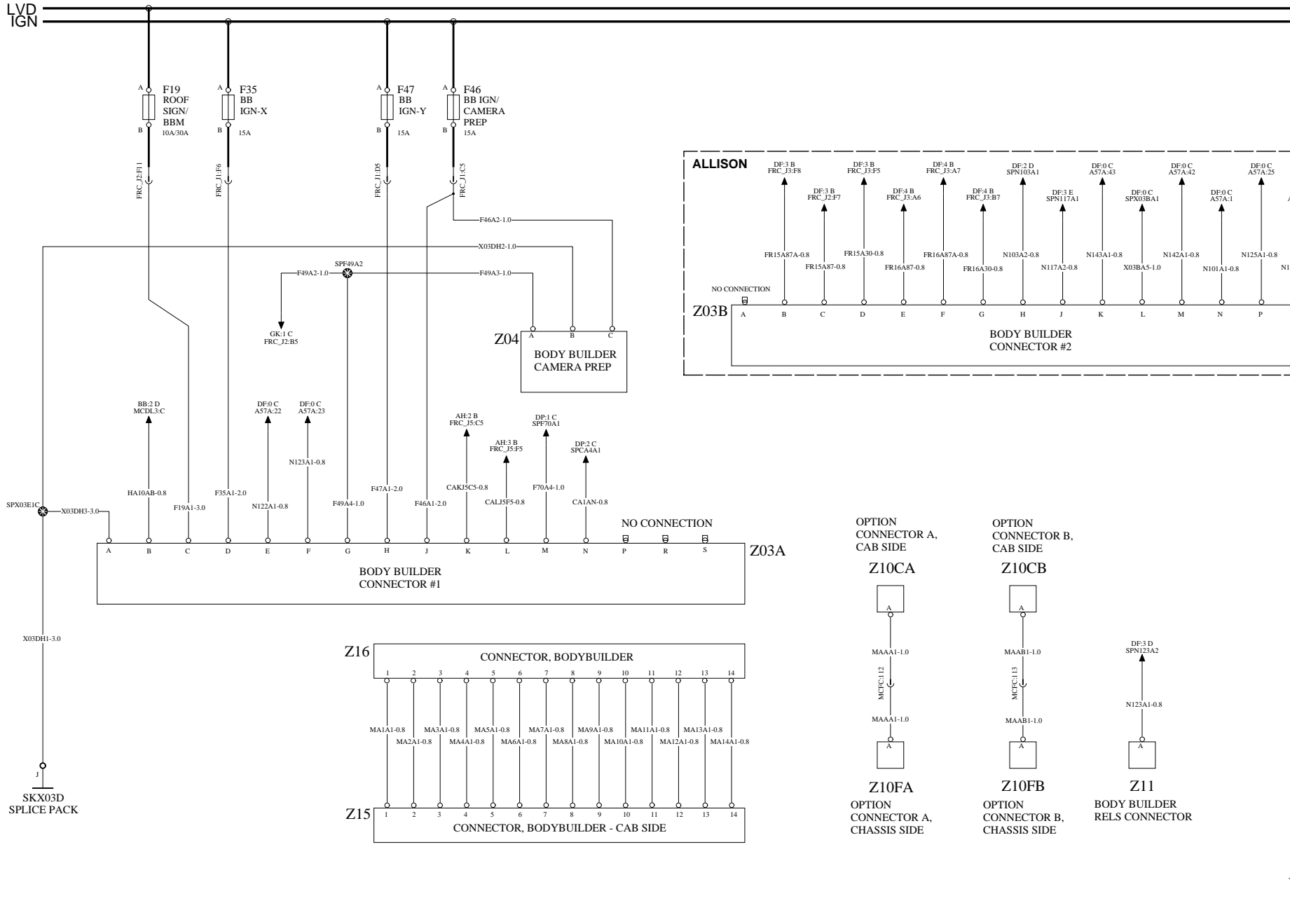


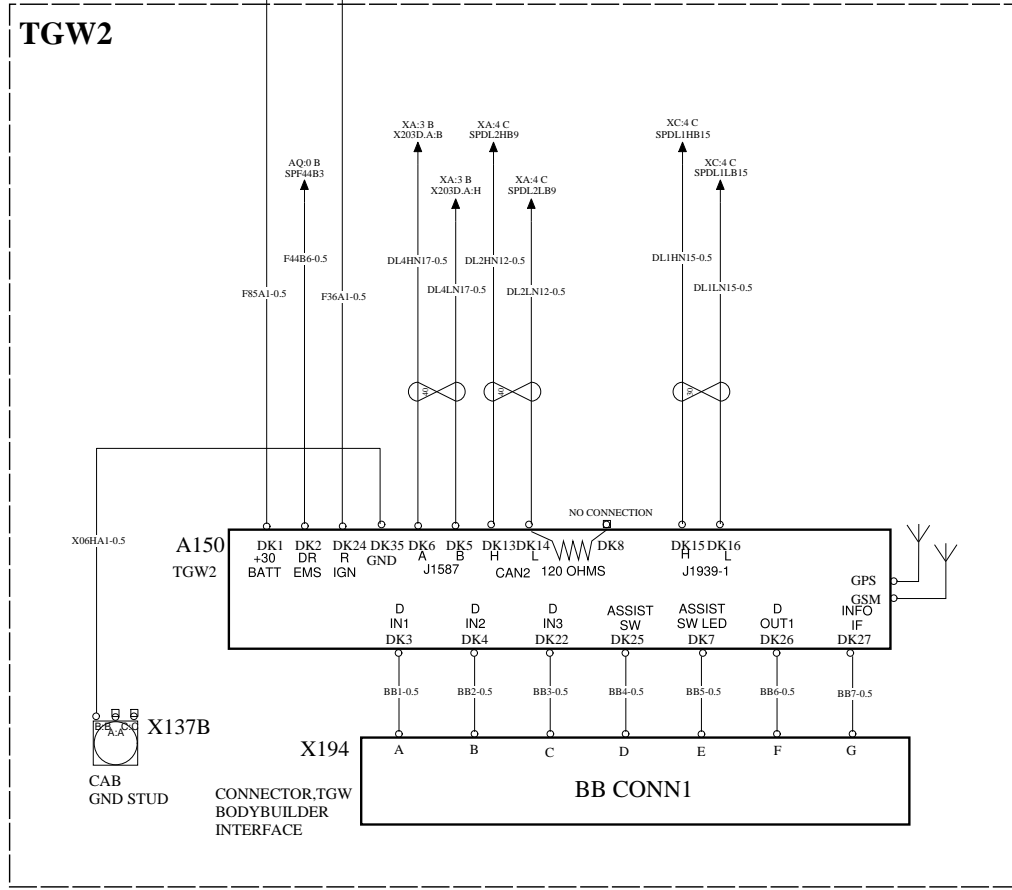
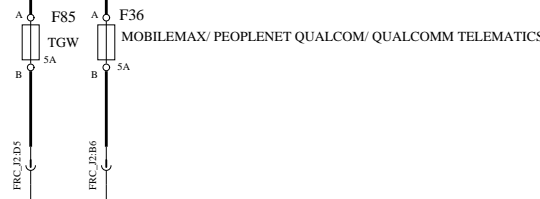
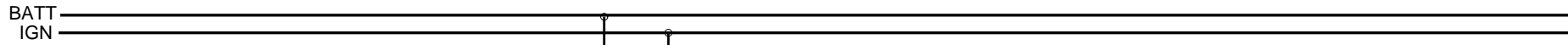




BODYBUILDER

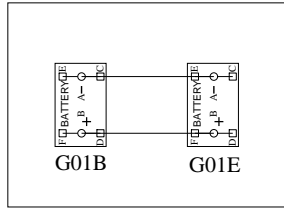
WIRING DIAGRAM: BH



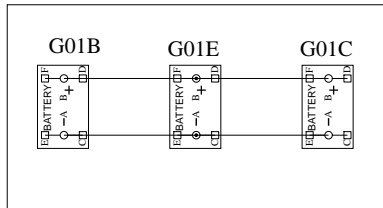


BATTERY BUSSING

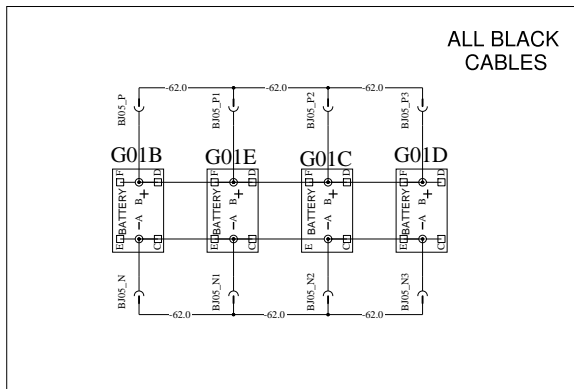
BATTB-N W/ 2 BATTERIES  
BUSS BARS



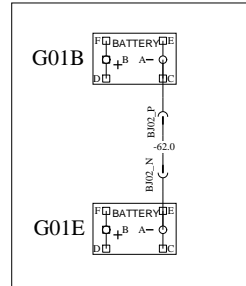
BATTB-N W/ 3 BATTERIES  
BUSS BARS



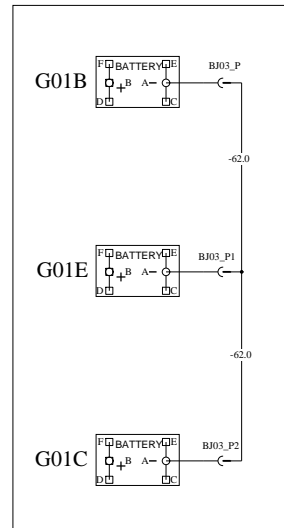
BATTB-N W/ 4 BATTERIES BUSS BARS  
BATTB-N W/ 4 BATTERIES FOR JUMPERS



BATTB-S W/2 BATTERIES  
CABLES FOR JUMPERS

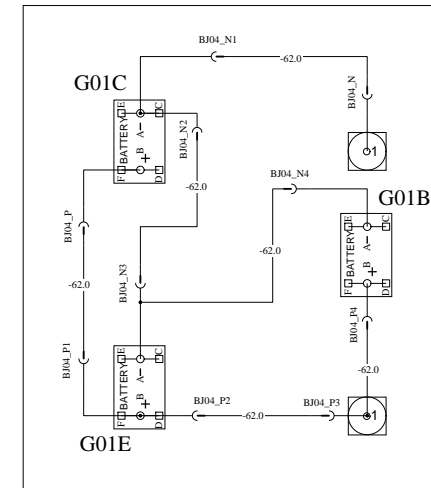


BATTB-S W/ 3 BATTERIES  
CABLES FOR JUMPERS

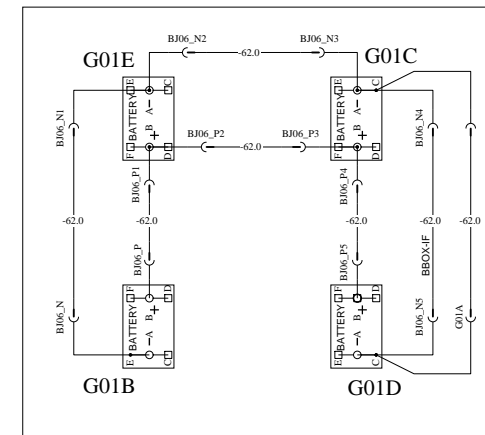


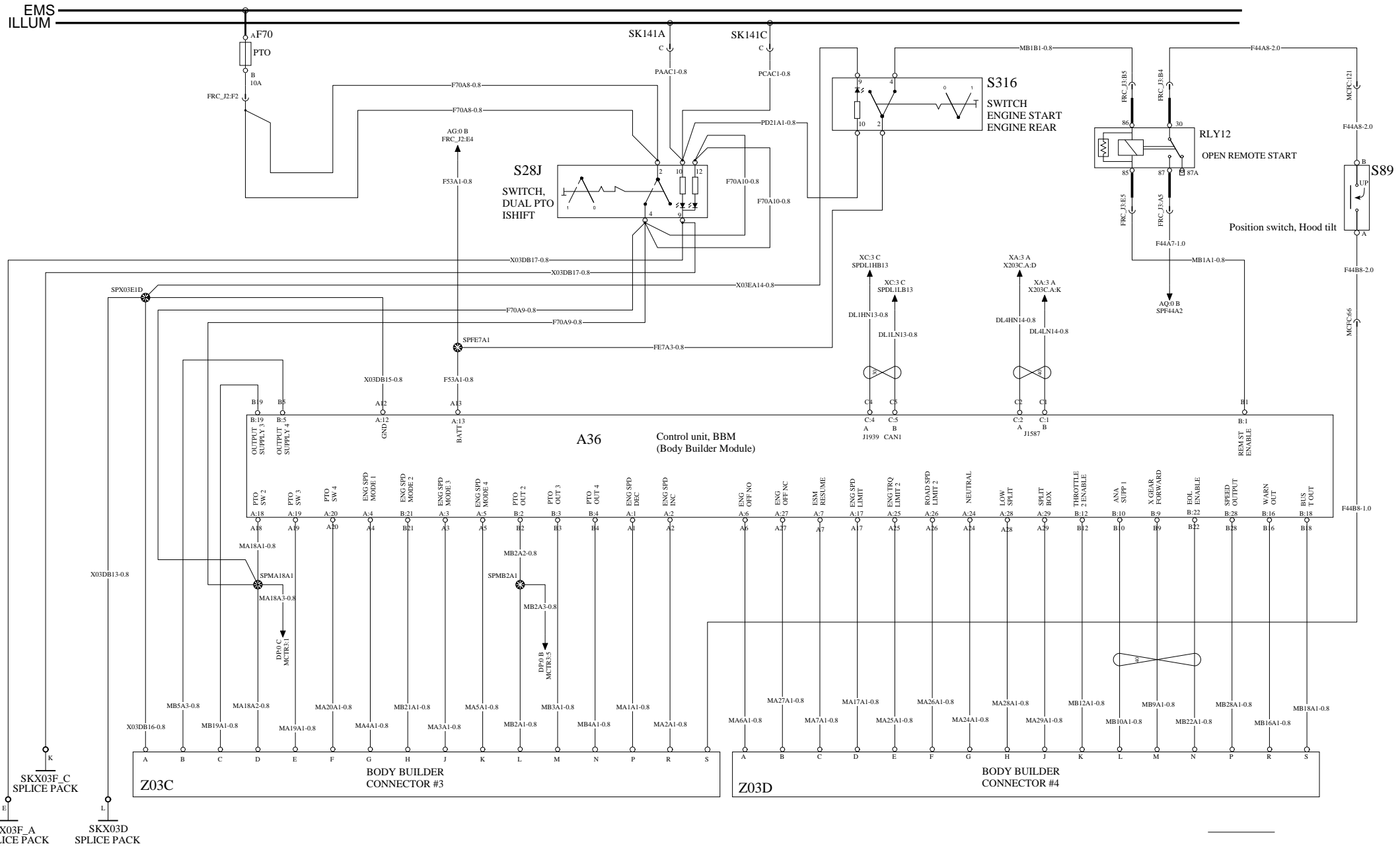
WIRING DIAGRAM: BL

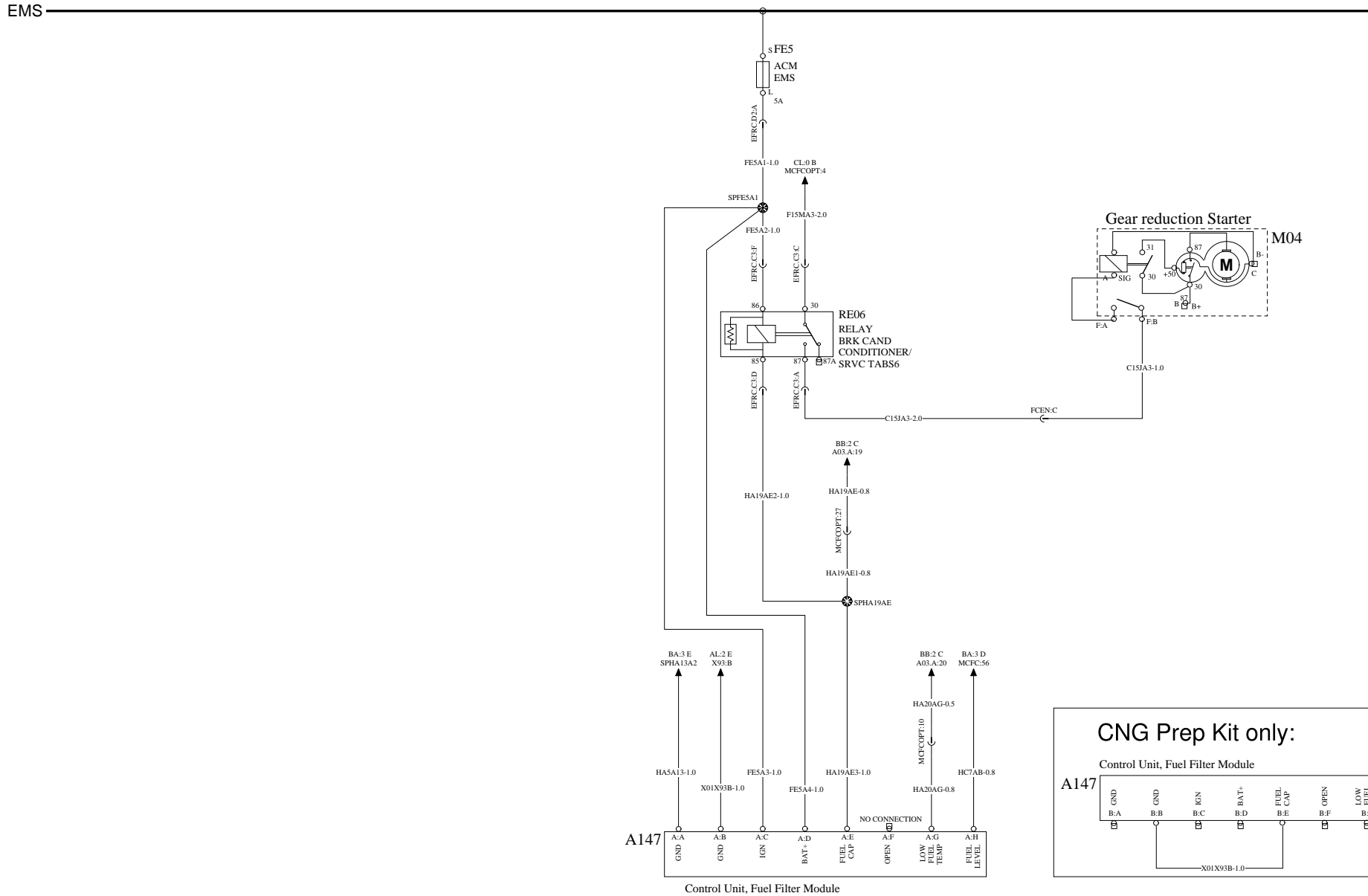
BATTB-SS W/ 3 BATTERIES  
CABLES FOR JUMPERS

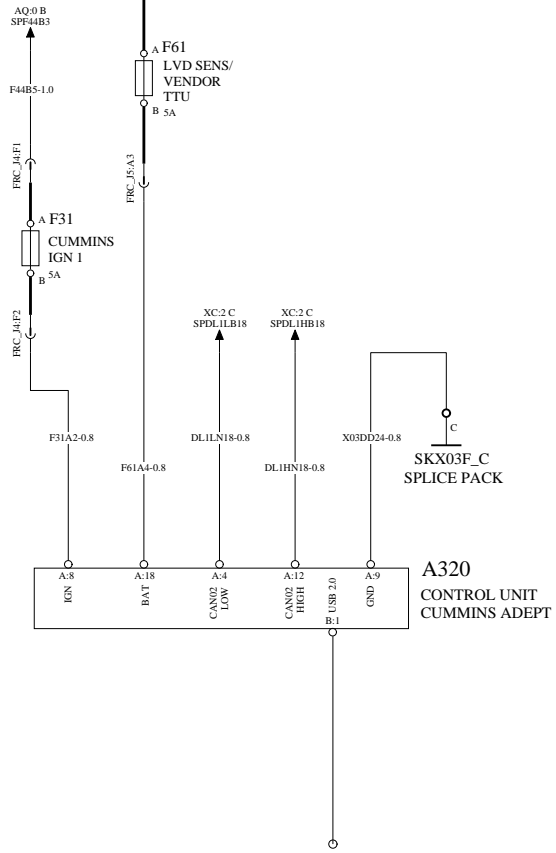
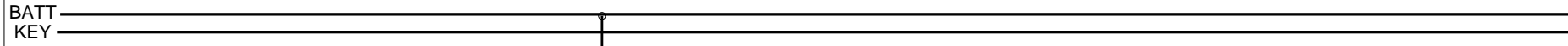


BBOX\_IF / CBBOX\_IF CABLES FOR JUMPERS



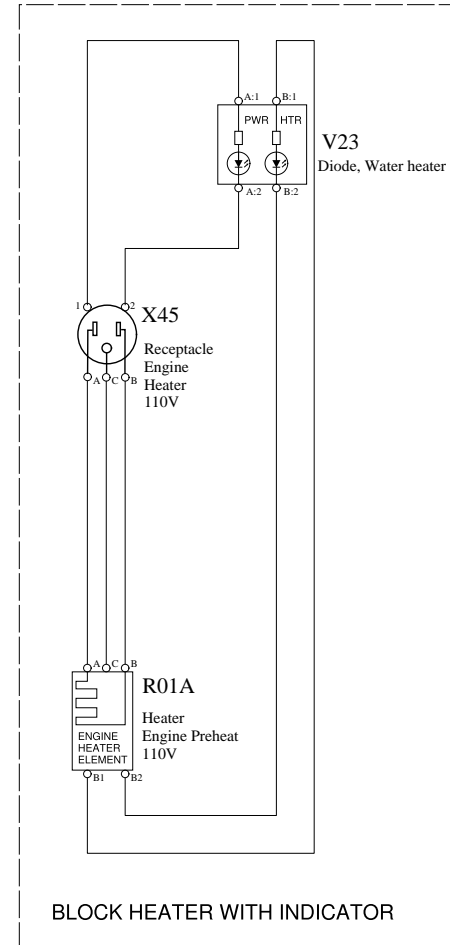
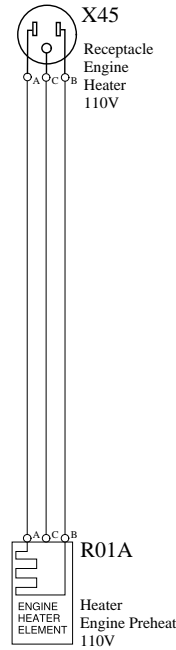
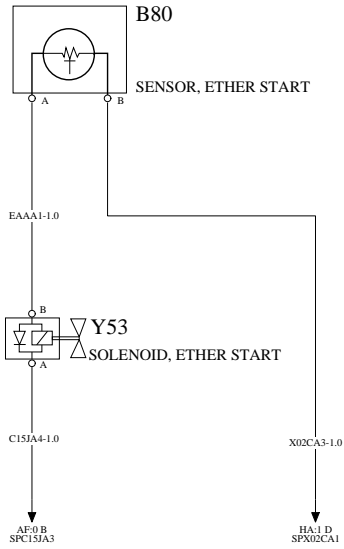




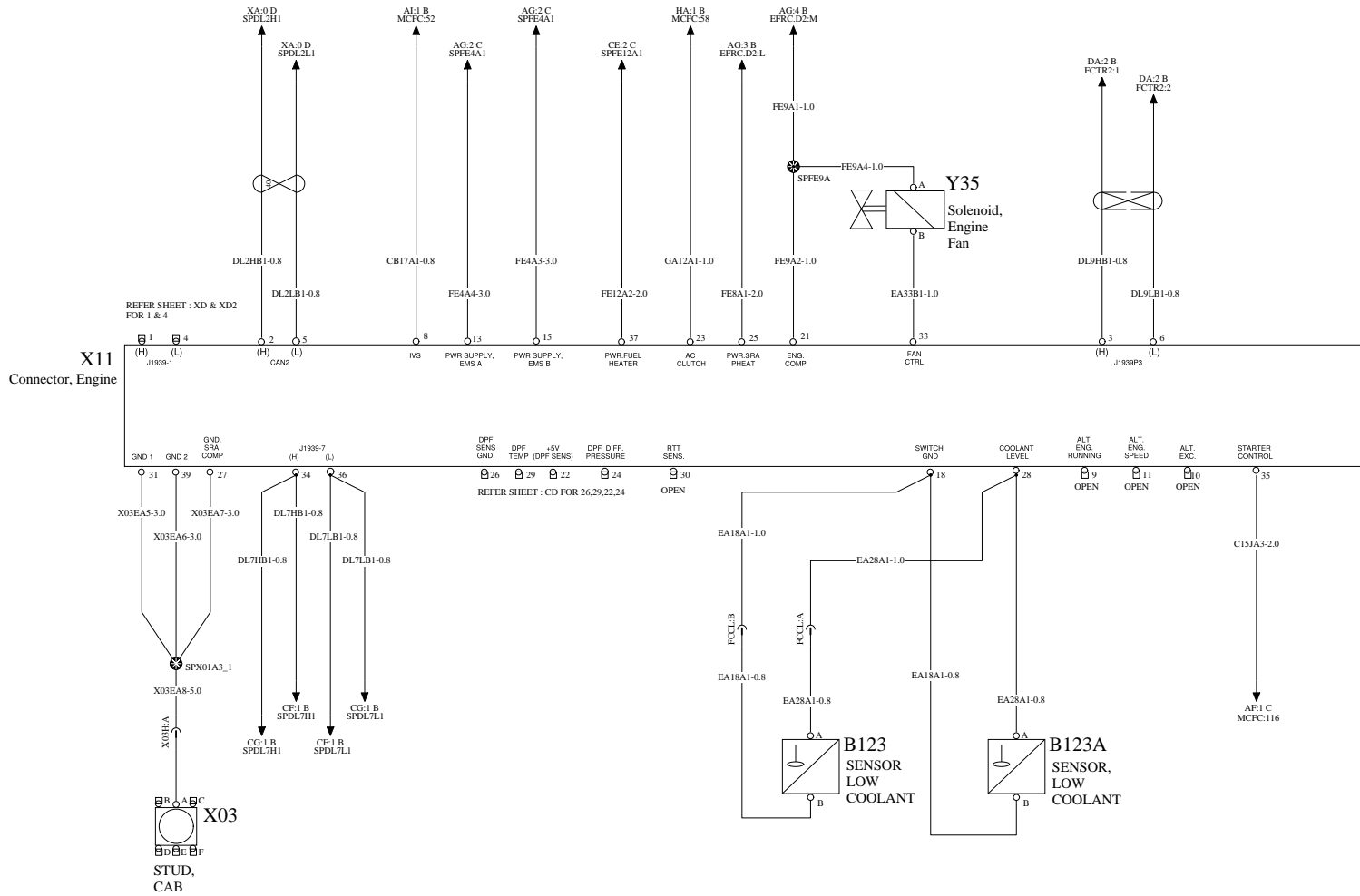


ETHER START/ENGINE HEATER

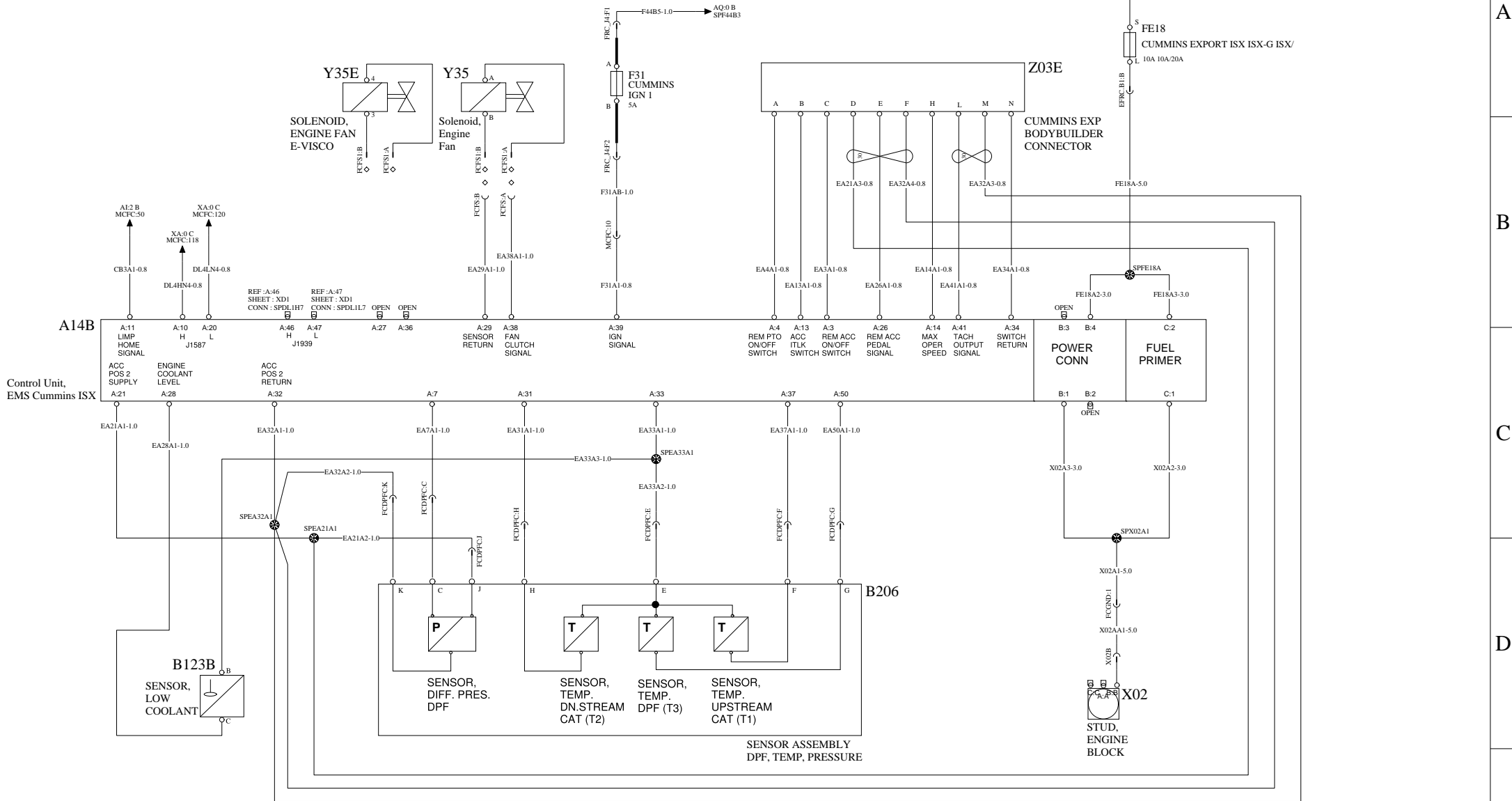
WIRING DIAGRAM: CA

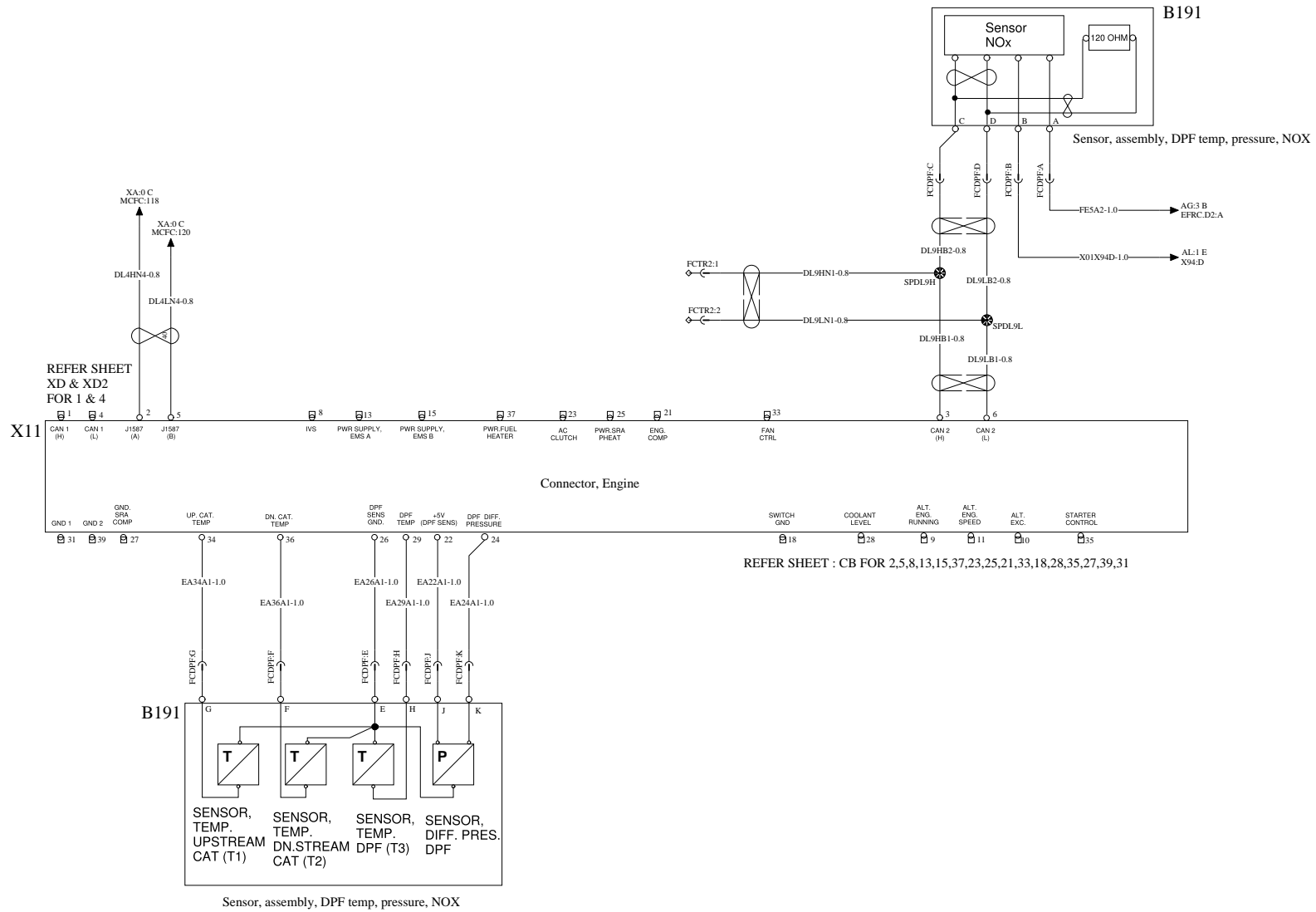


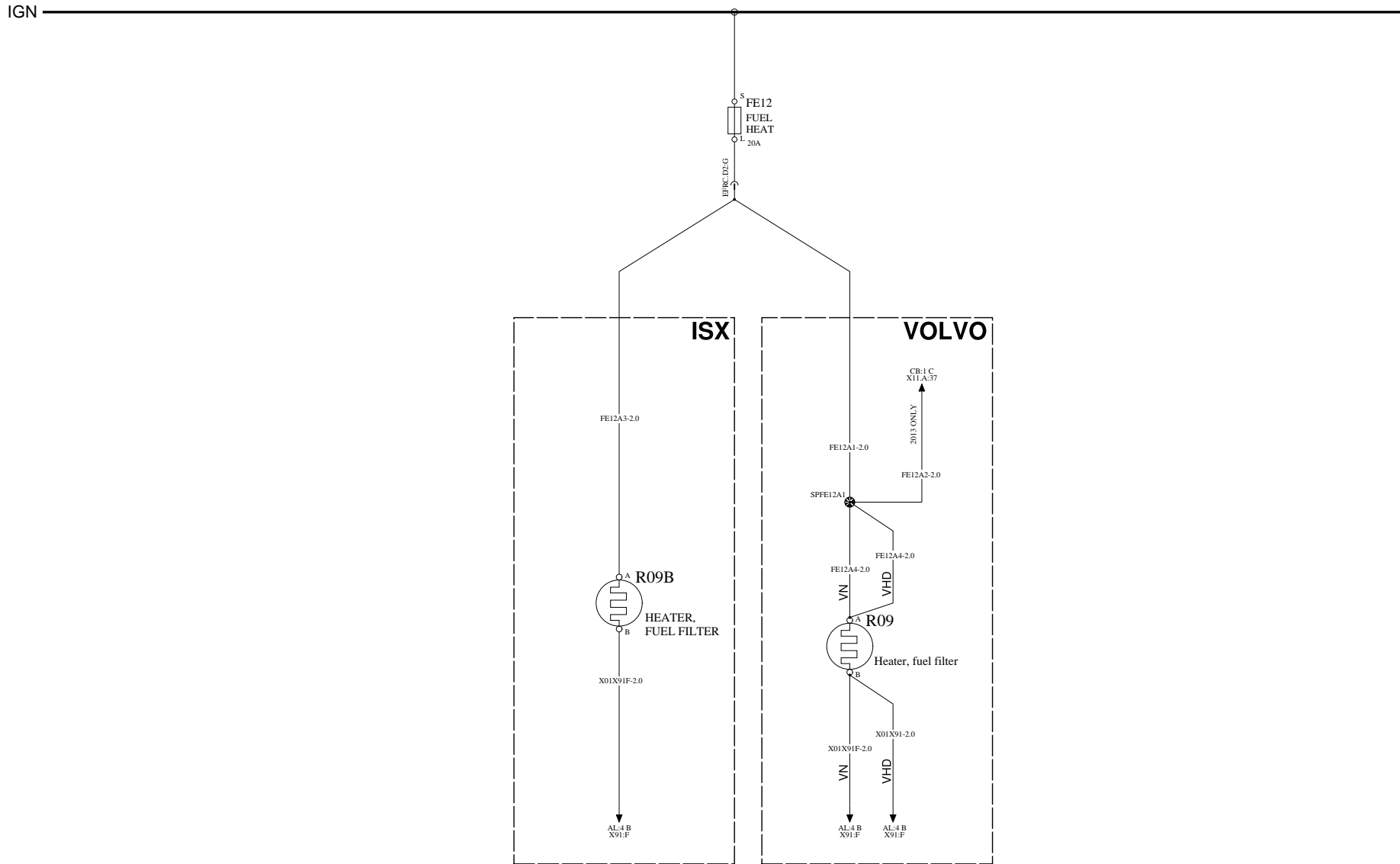


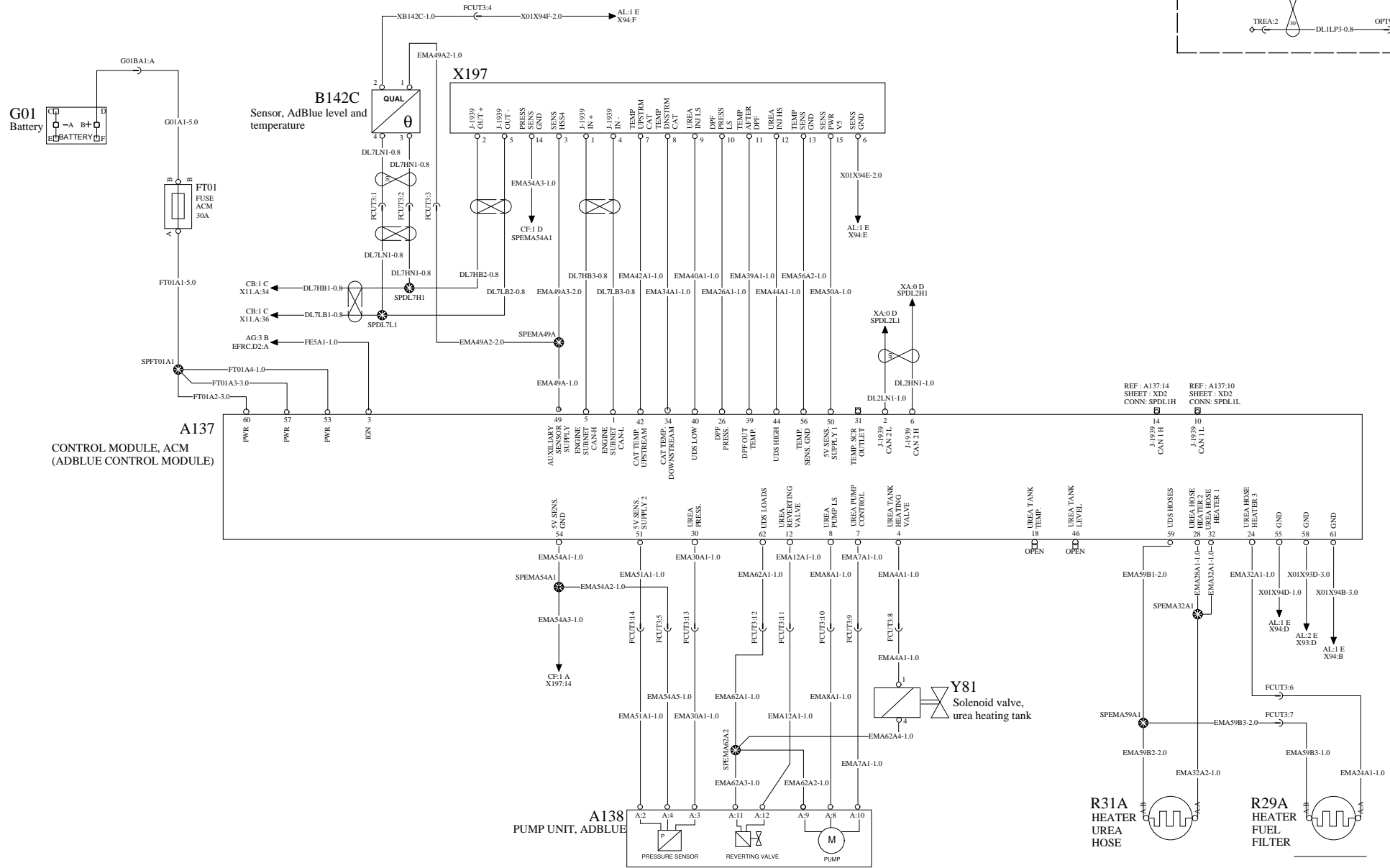
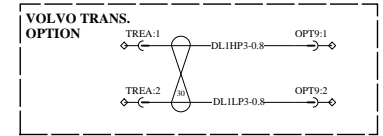


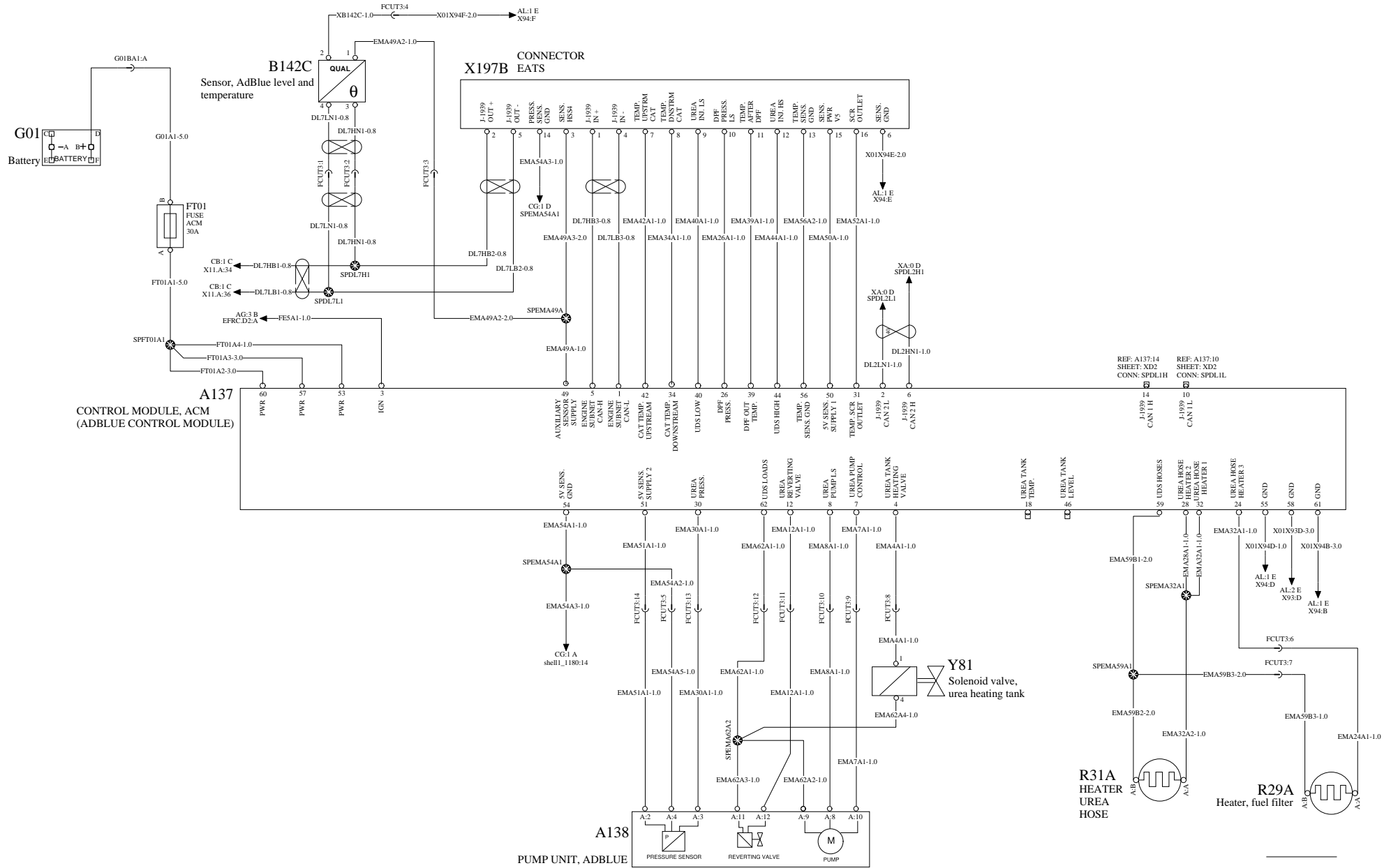
BATT  
KEY

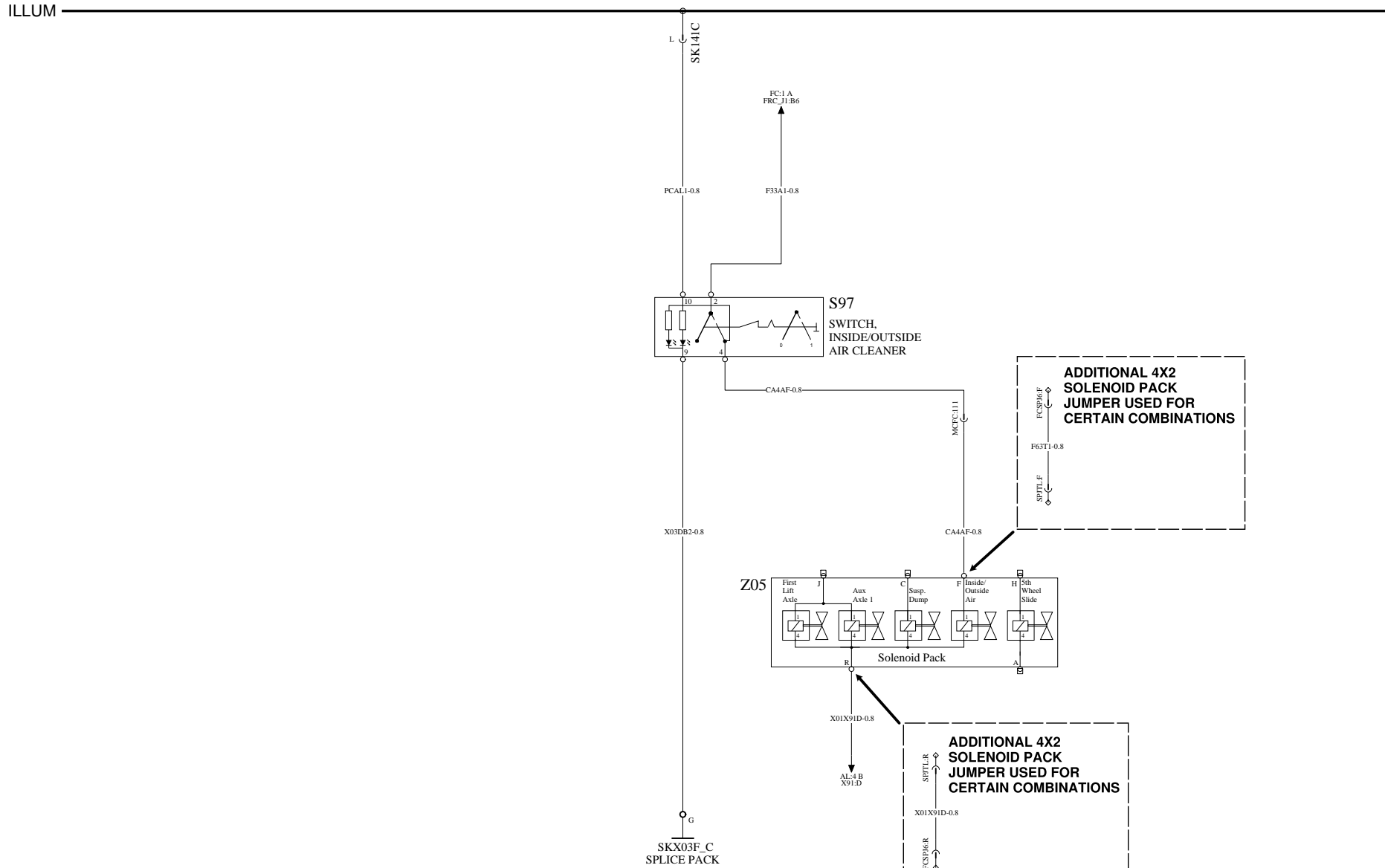


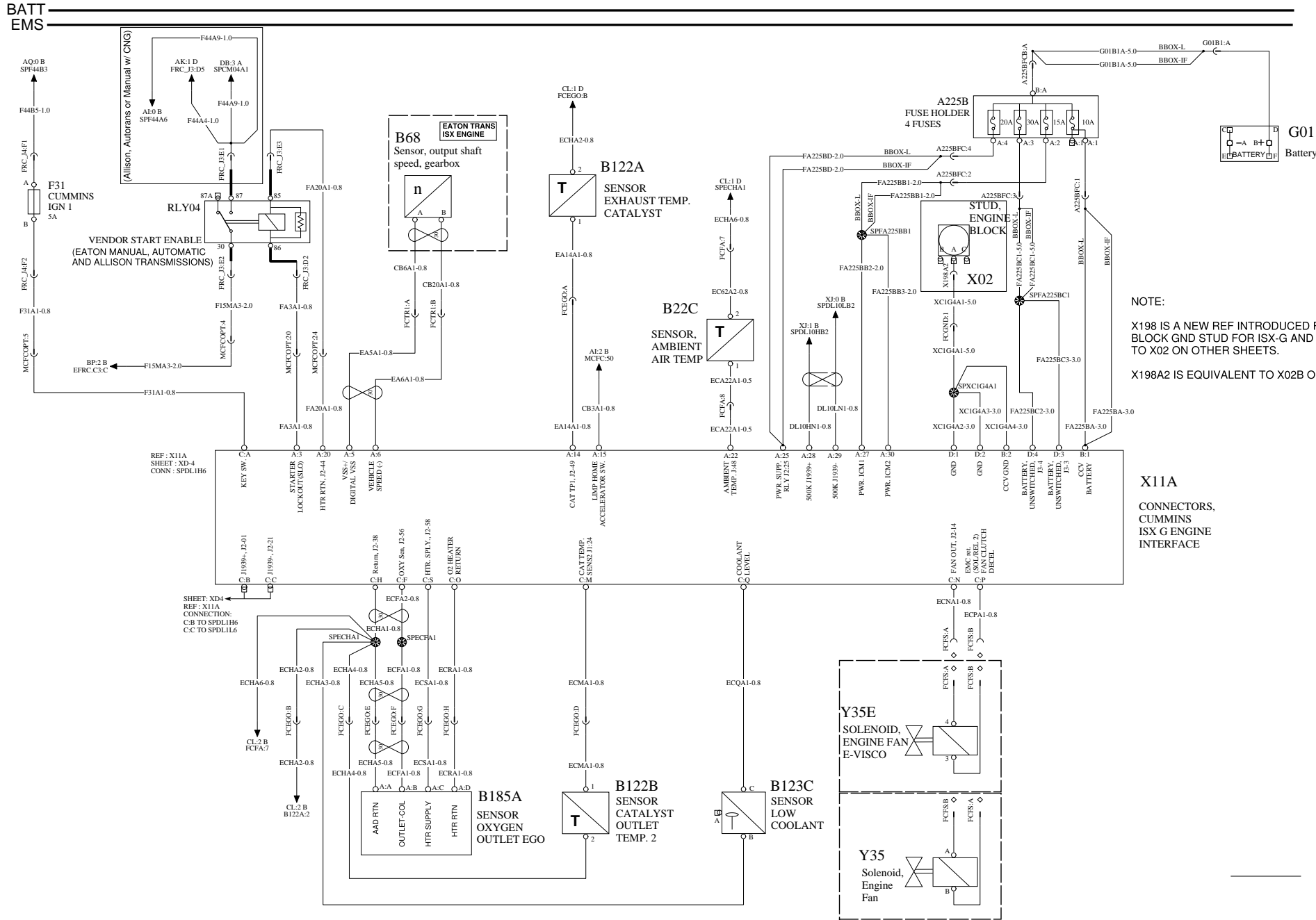










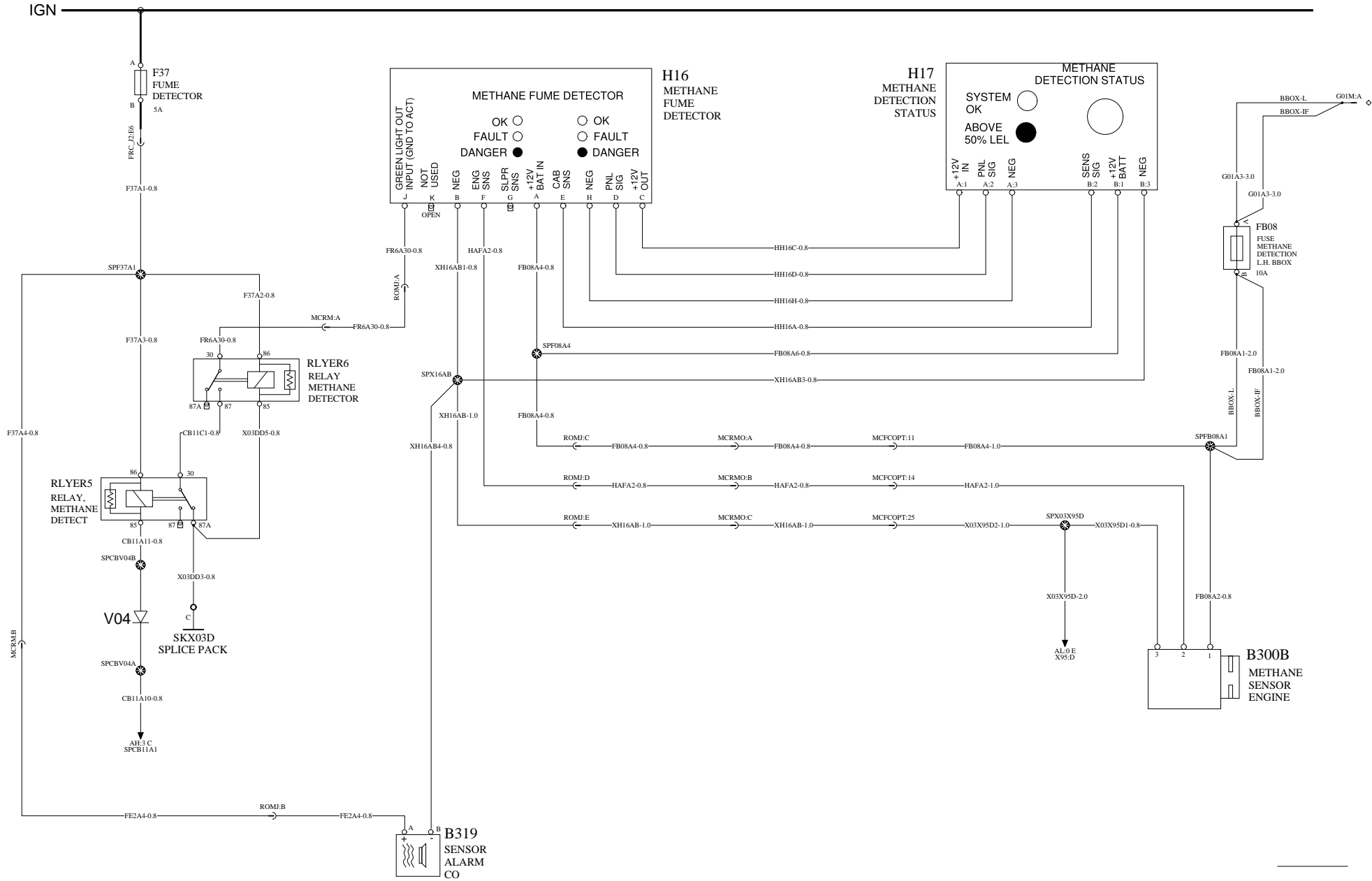


	Document title 12V VOLVO CONVENTIONAL	Document No <b>22622040</b>	Issue <b>05</b>	Volume <b>1 (2)</b>	Page <b>36 (118)</b>
	Document type PRODUCT SCHEMATIC				

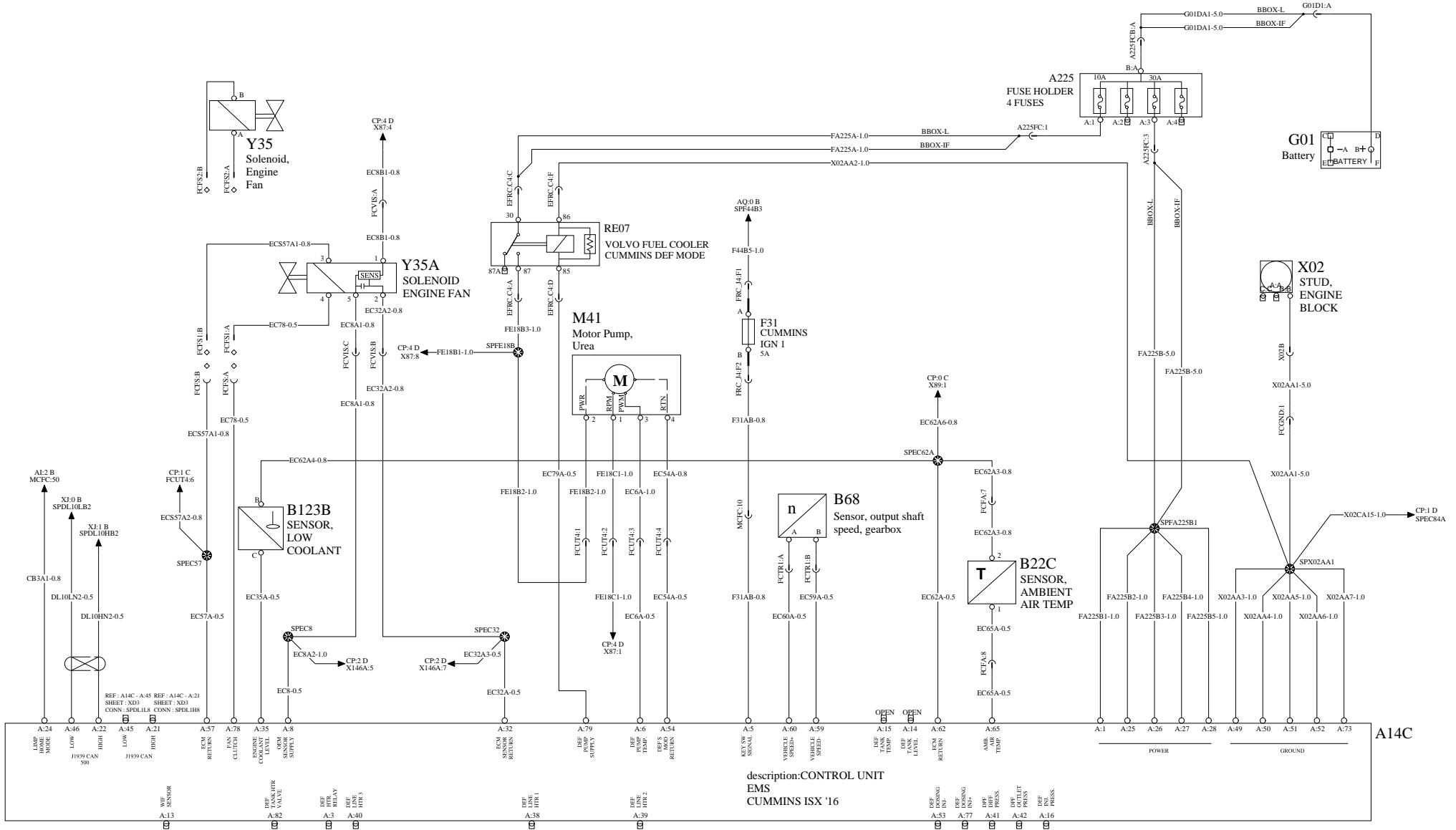


METHANE DETECTION

WIRING DIAGRAM: CM

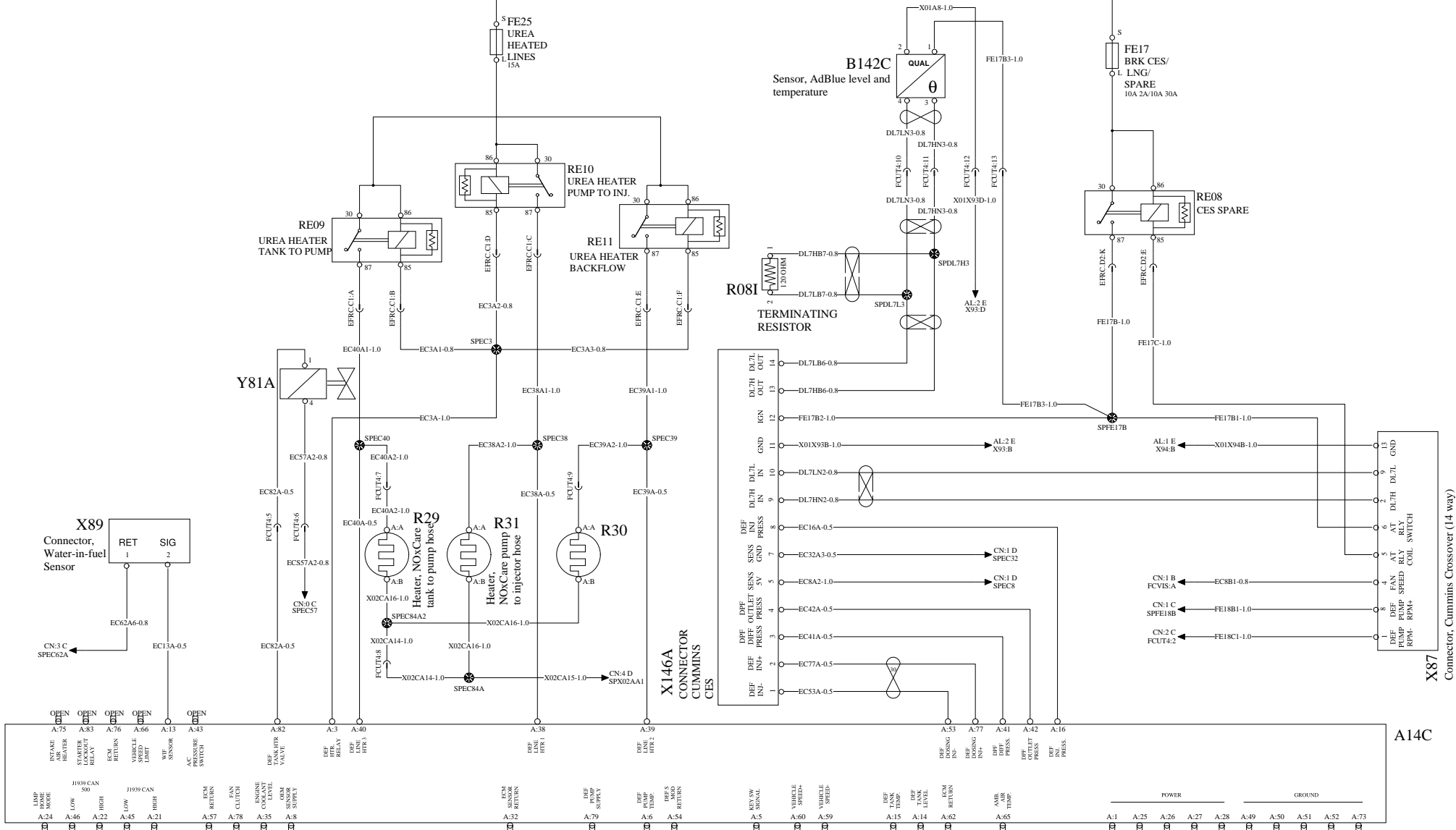


BATT



REFER SHEET : CP FOR PIN-OUTS 13,82,3,40,38,39,53,77,41,42,16

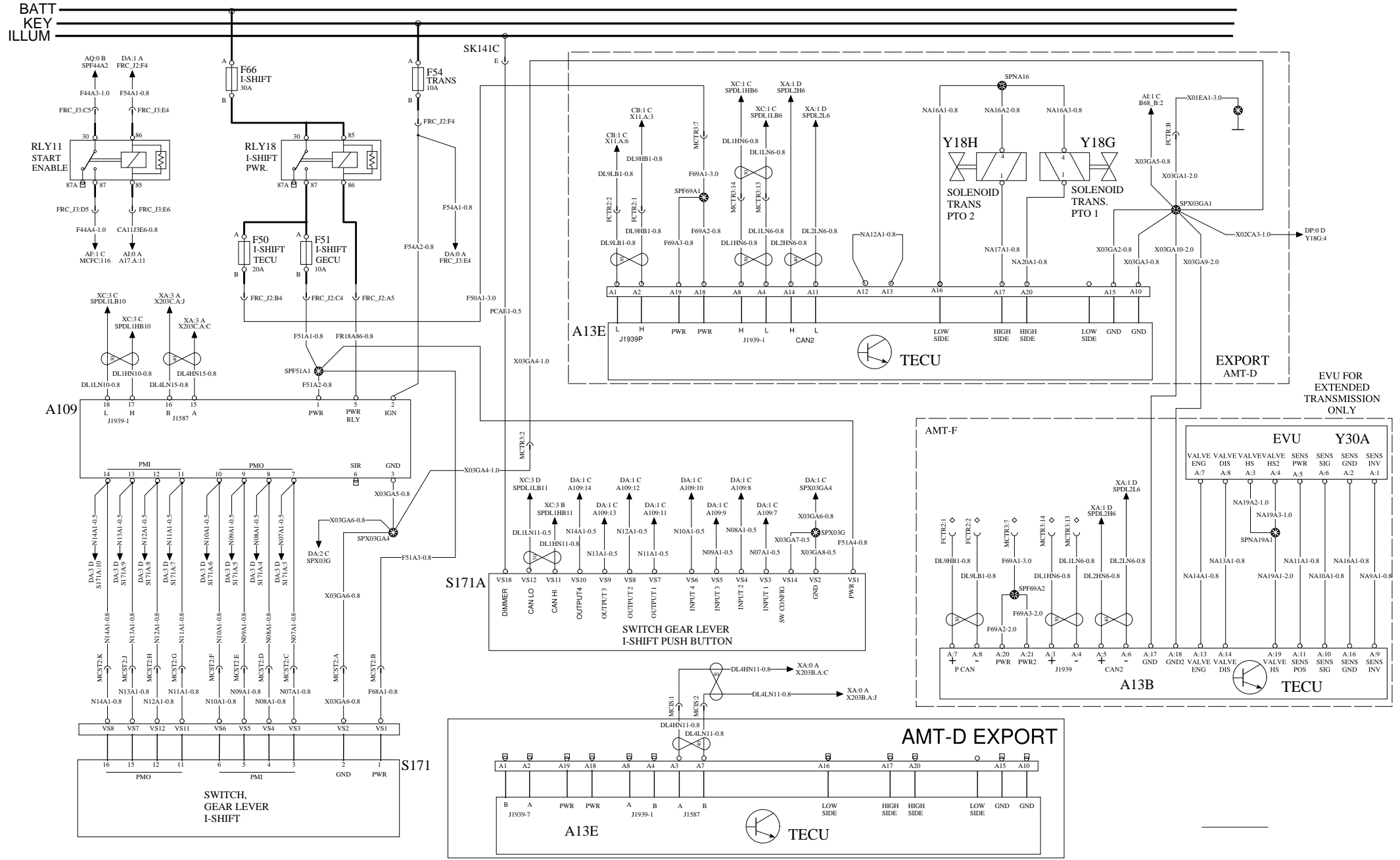
BATT  
IGN



REFER SHEET : CN FOR PIN-OUTS - 24,46,22,57,78,35,8,32,79,6,54,5,60,59,62,65,1,25,26,27,28,49,50,51,52,73

TRANSMISSION I-SHIFT

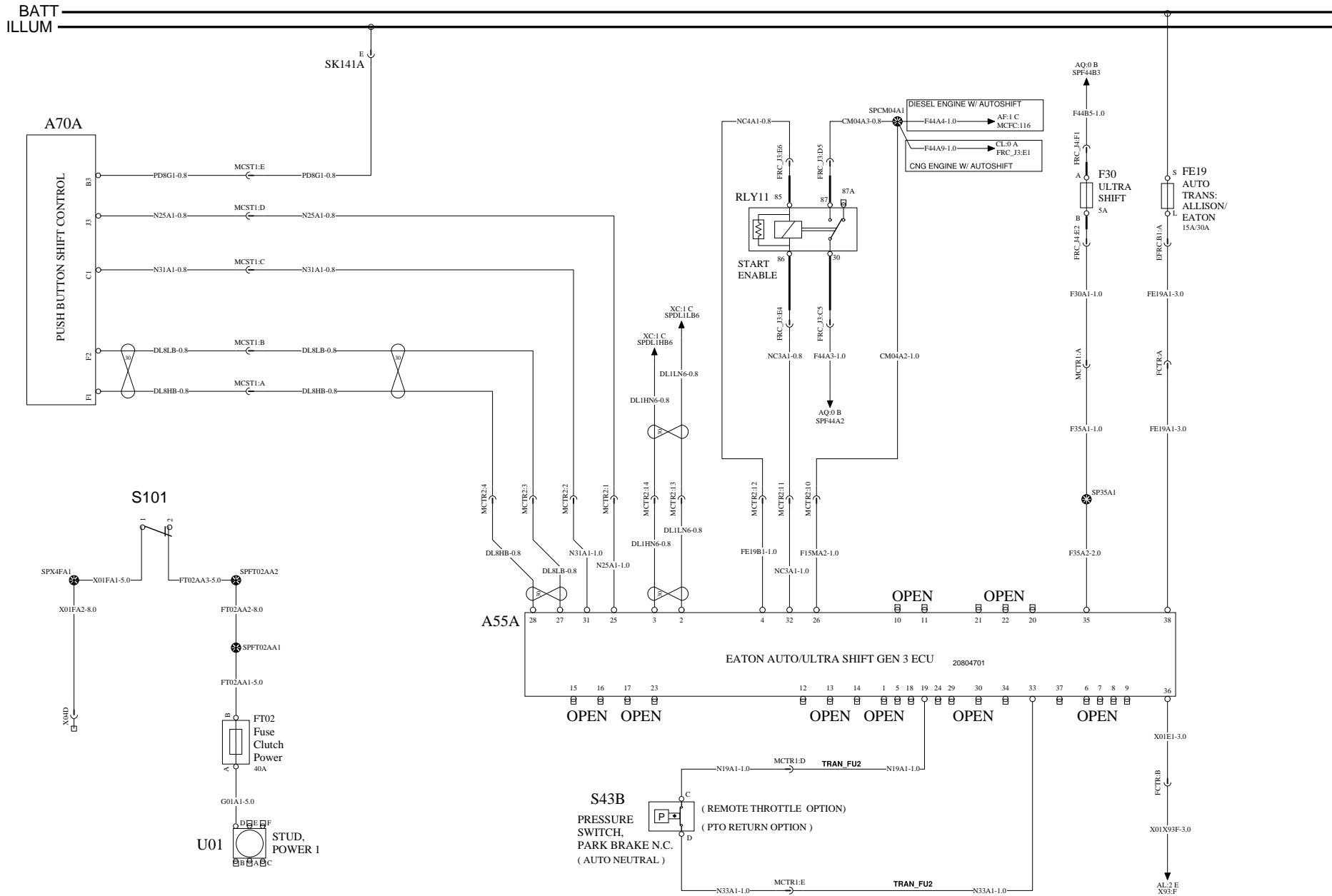
WIRING DIAGRAM: DA



Document title	Document No	Issue	Volume	Page
12V VOLVO CONVENTIONAL	22622040	05	1 (2)	40 (118)
Document type				
PRODUCT SCHEMATIC				

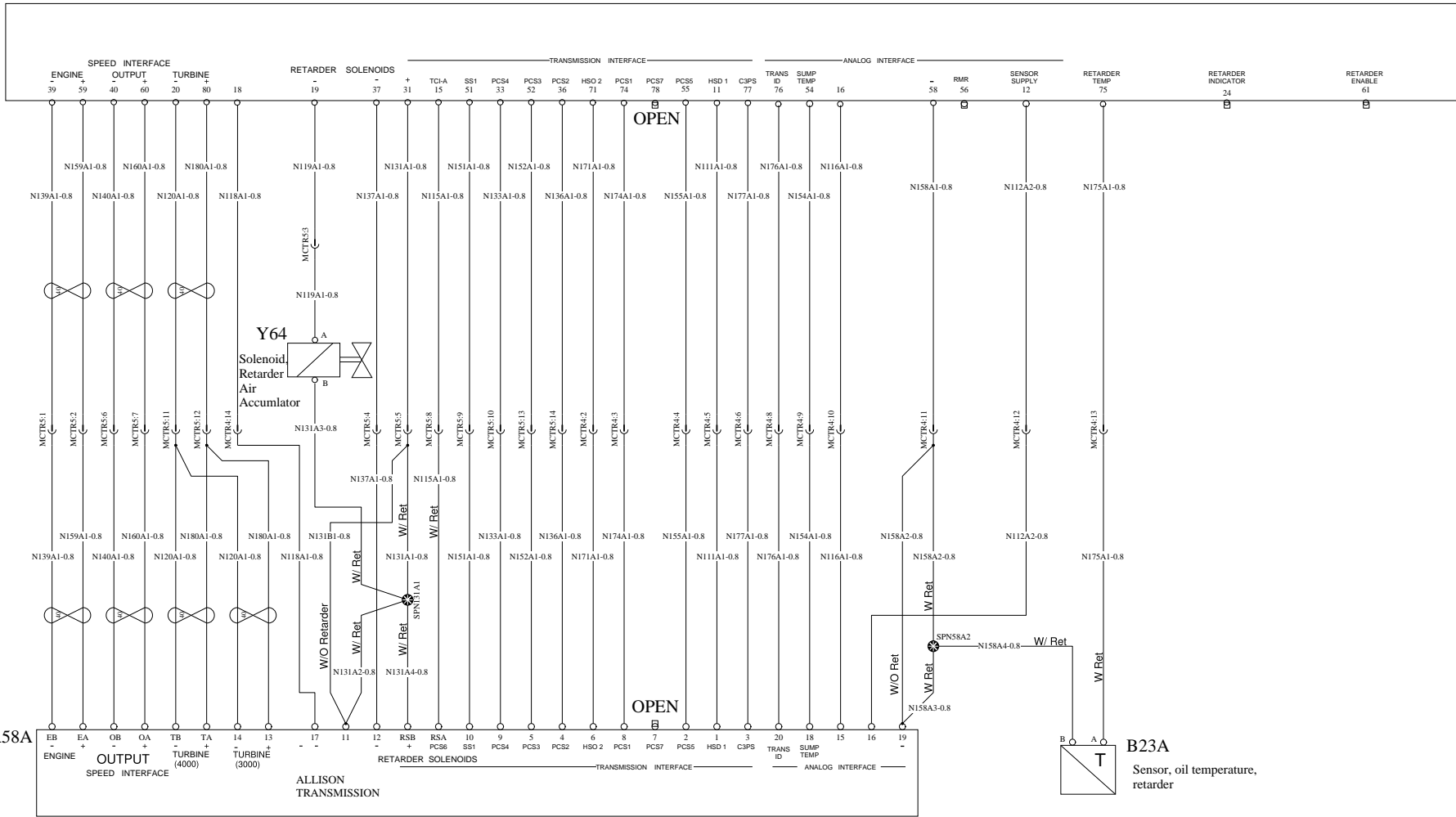
TRANSMISSION CONTROL EATON AUTOMATICS

WIRING DIAGRAM: DB



ILLUM

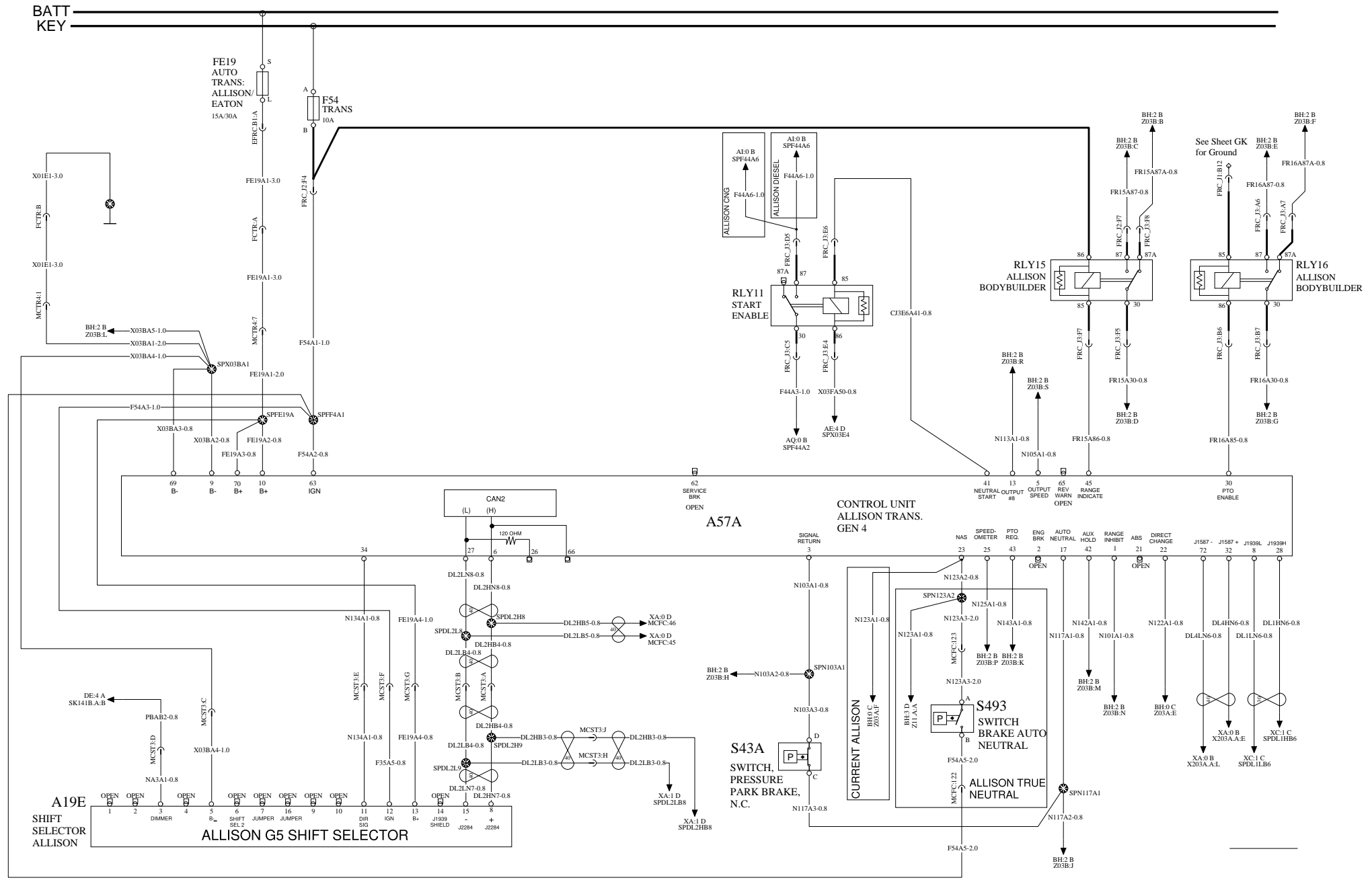
SK141B

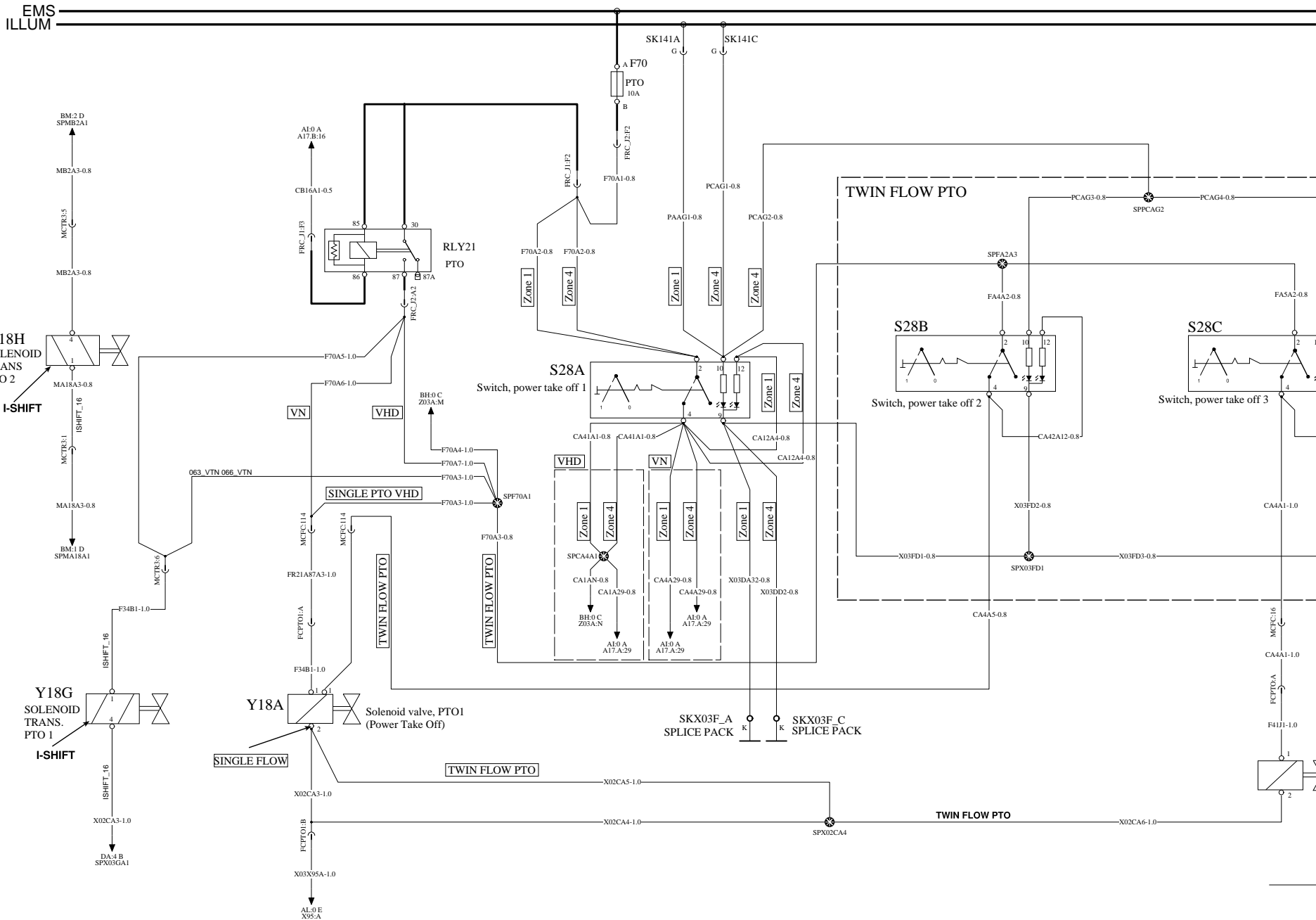


A58A

B23A

Sensor, oil temperature, retarder

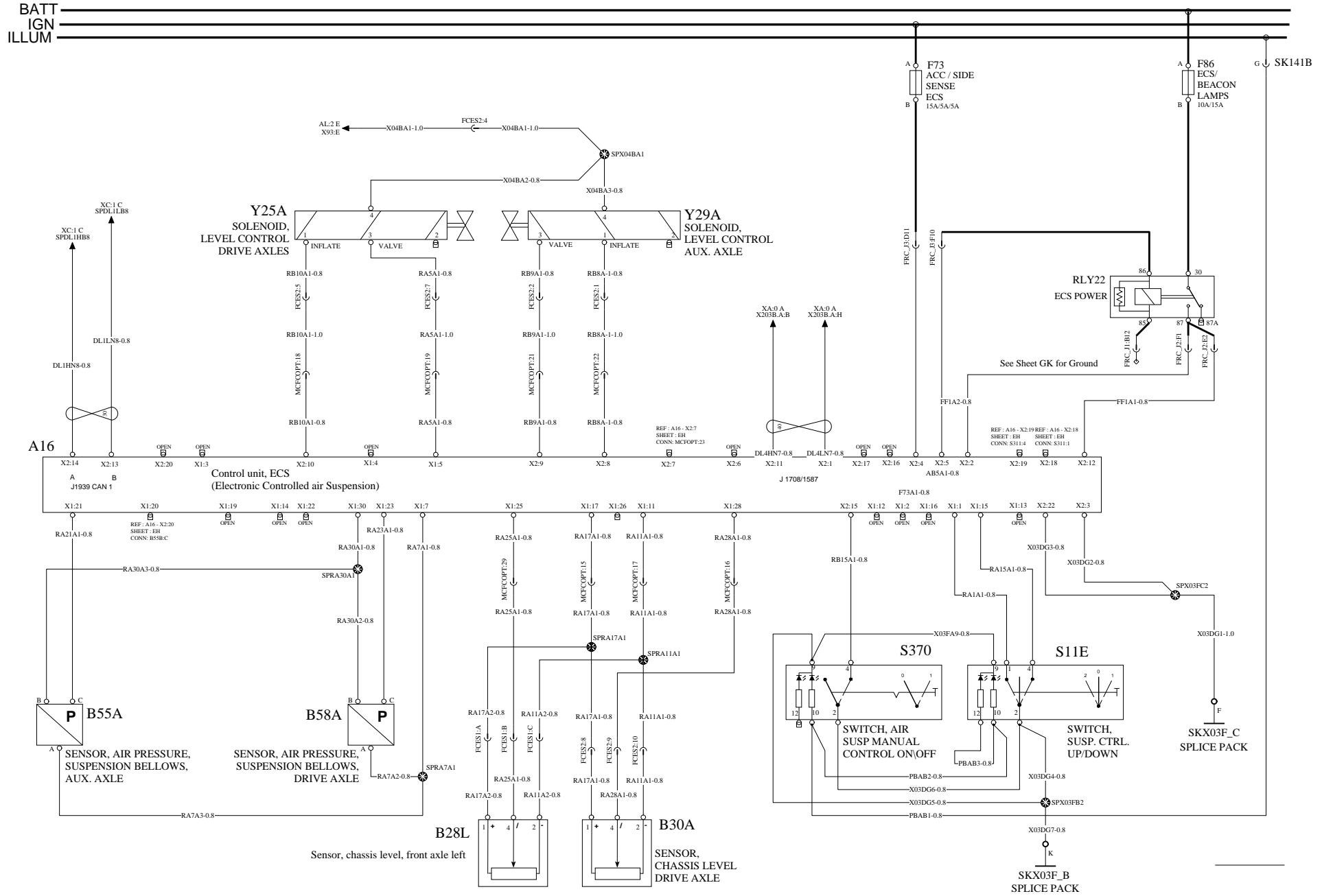




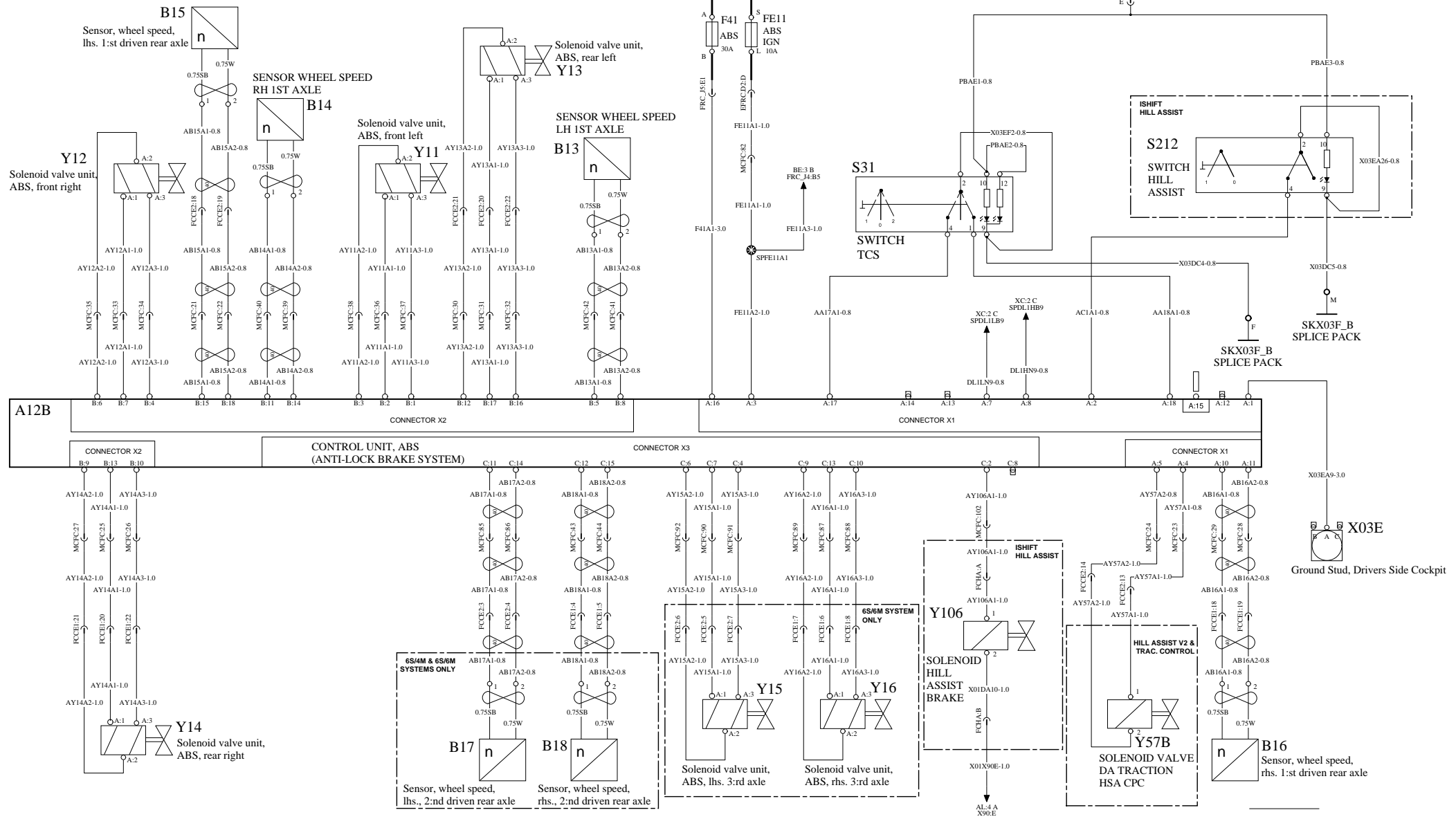


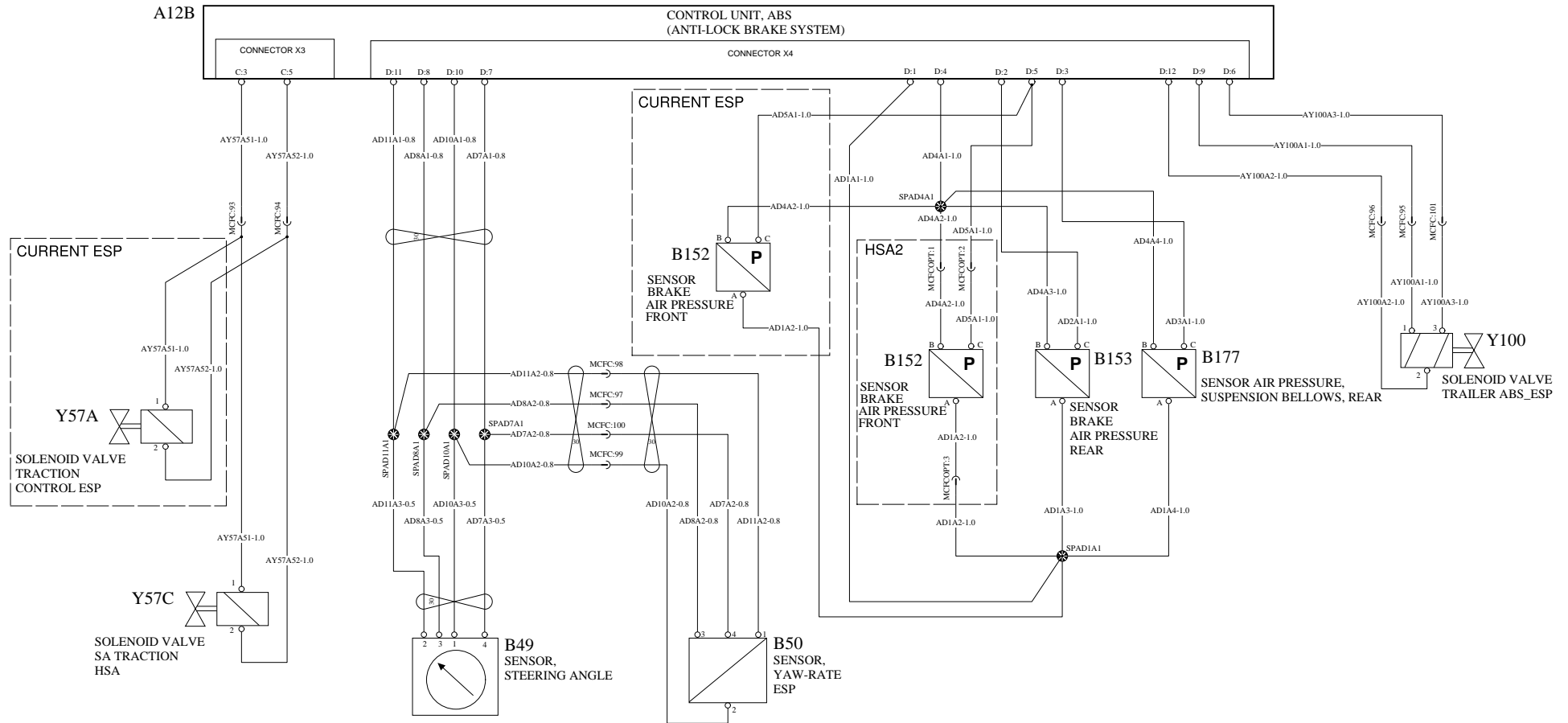
SUSPENSION

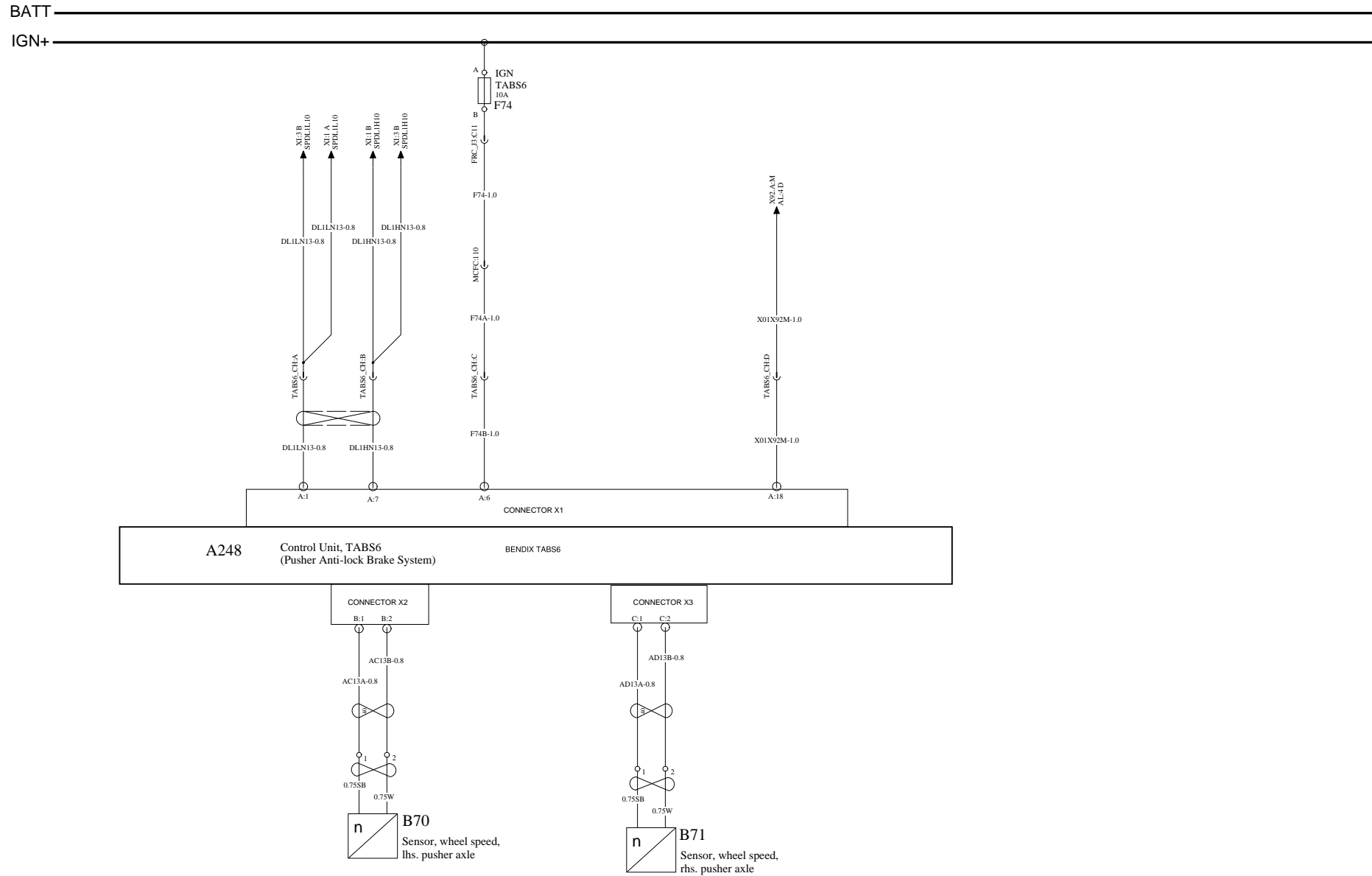
WIRING DIAGRAM: EB



BATT  
KEY  
ILLUM



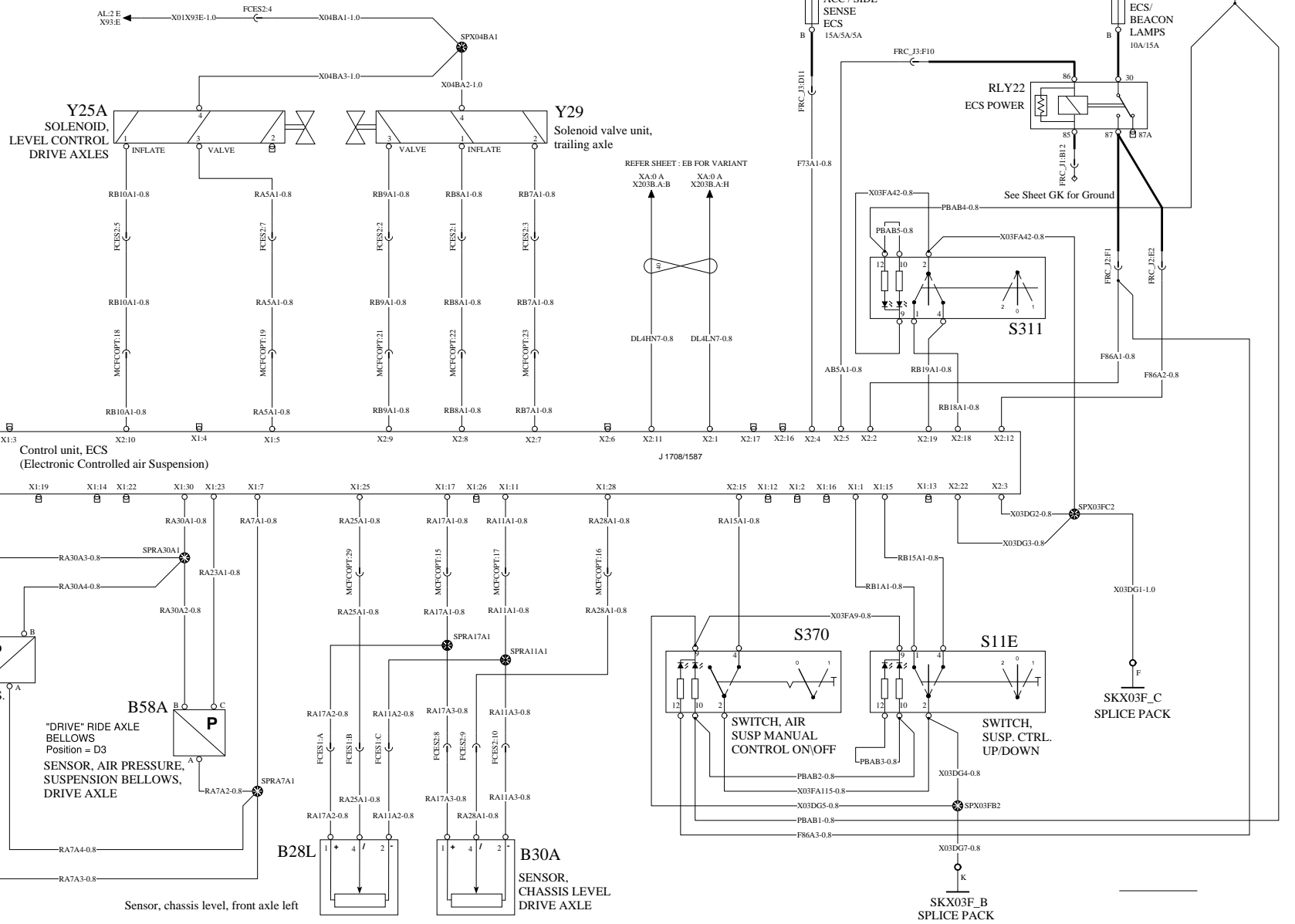




SUSPENSION LIFTABLE PUSHER

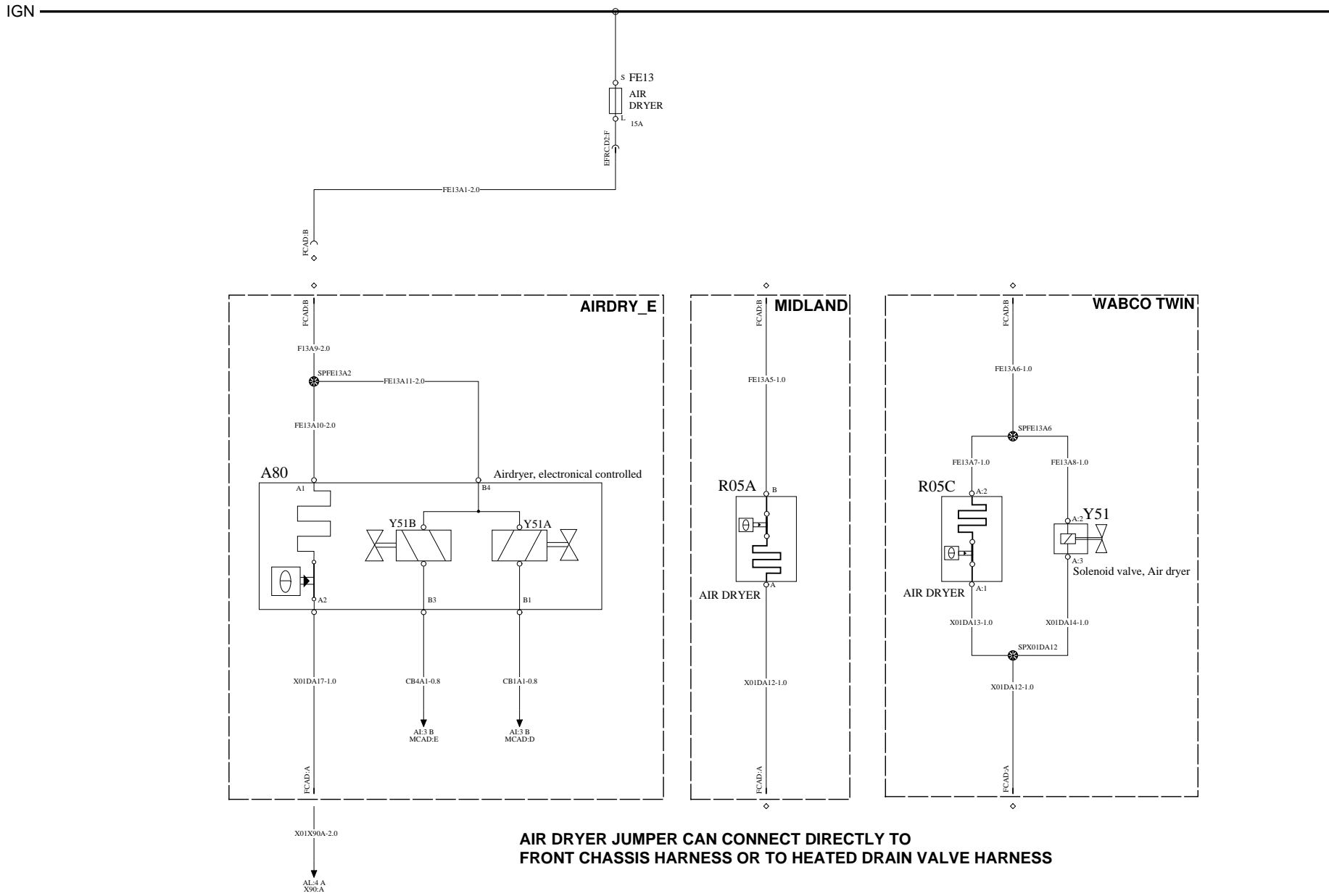
WIRING DIAGRAM: EH

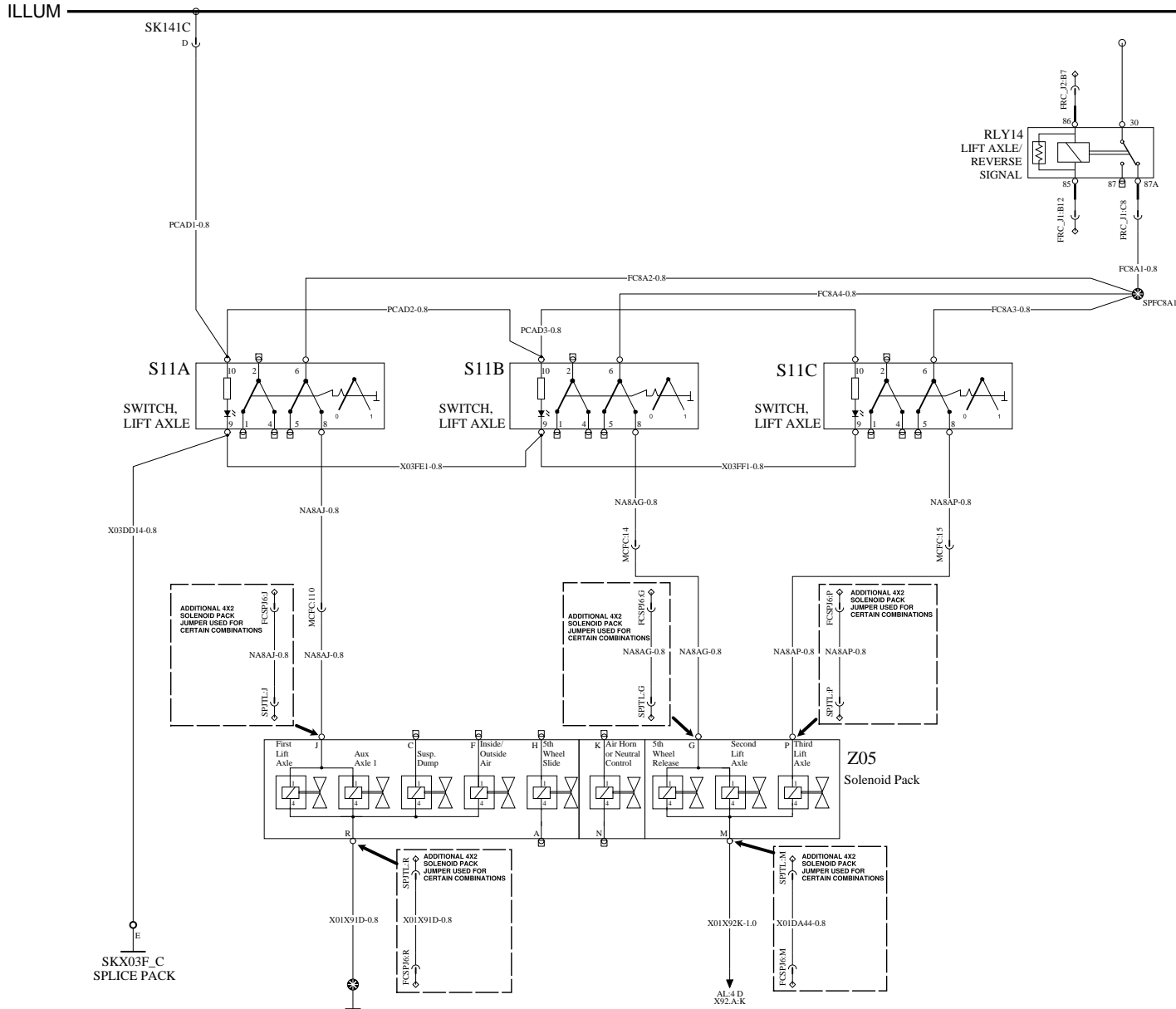
BATT  
KEY  
ILLUM



AIR DRYER/HEATED DRAIN VALVE

WIRING DIAGRAM: FA

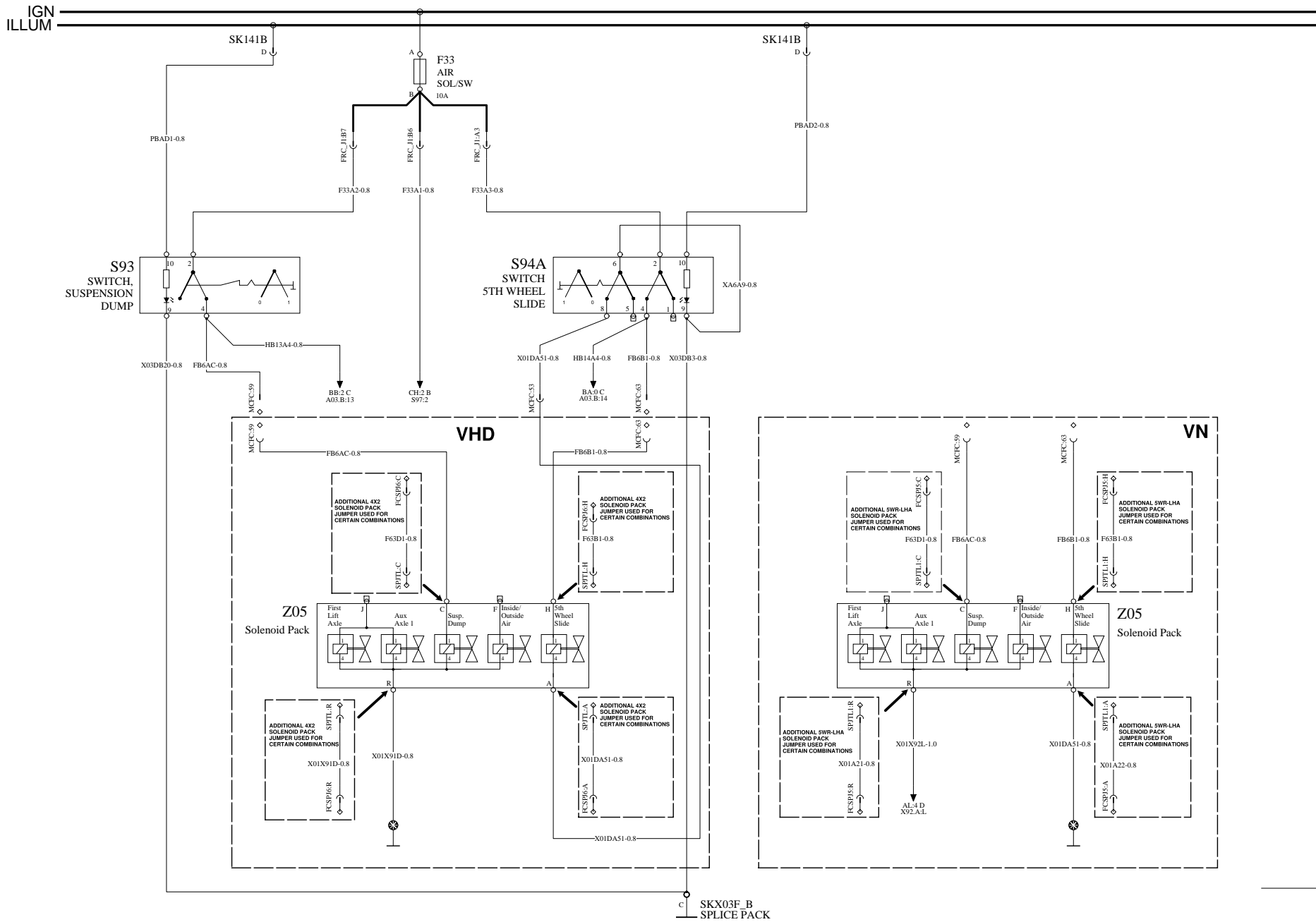




**SEE SHEET GK FOR RELAY 14 CONTROLS.**

SUSPENSION DUMP, 5TH WHEEL SLIDE

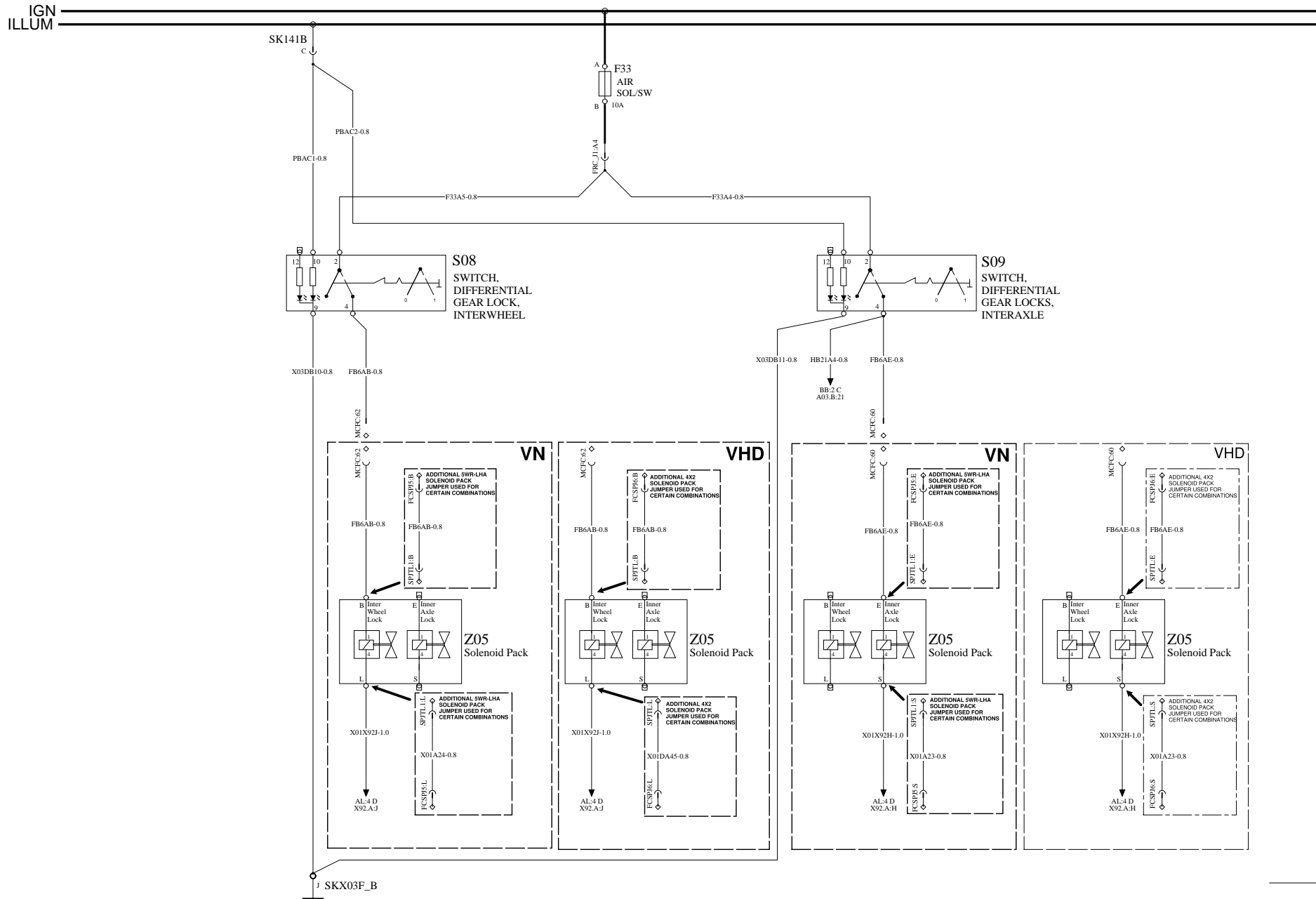
WIRING DIAGRAM: FC





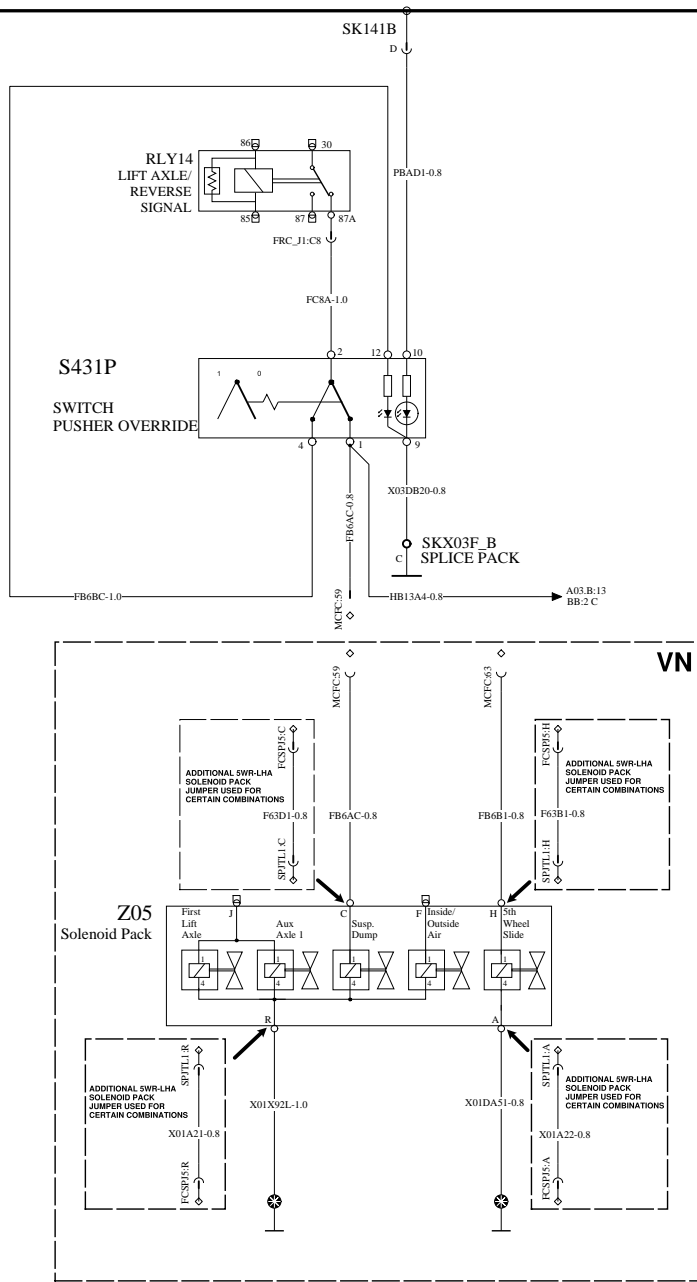
DIFFERENTIAL LOCK VN/VHD

WIRING DIAGRAM: FD



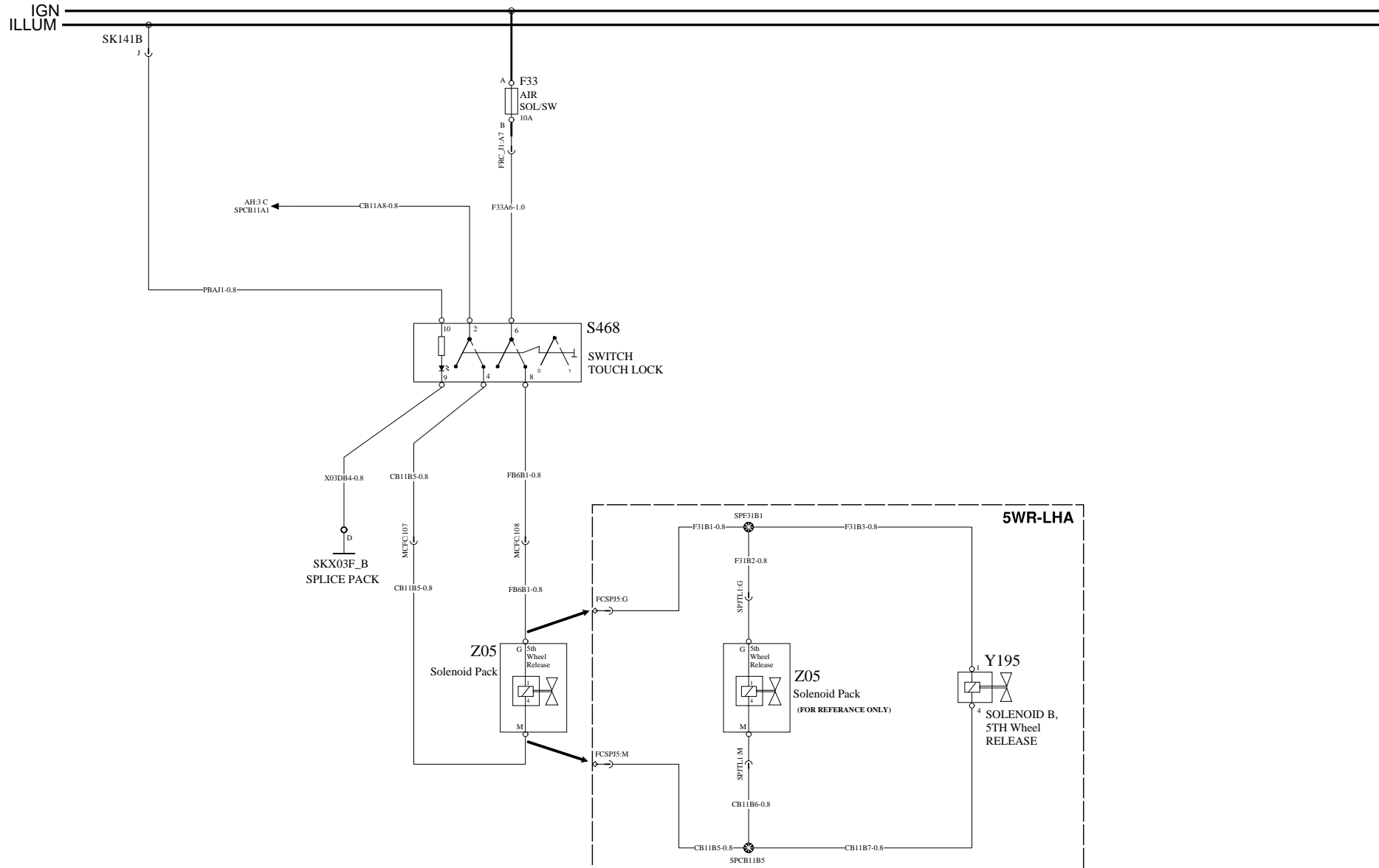
ILLUM

SEE SHEET GK FOR RELAY 14 CONTROLS.



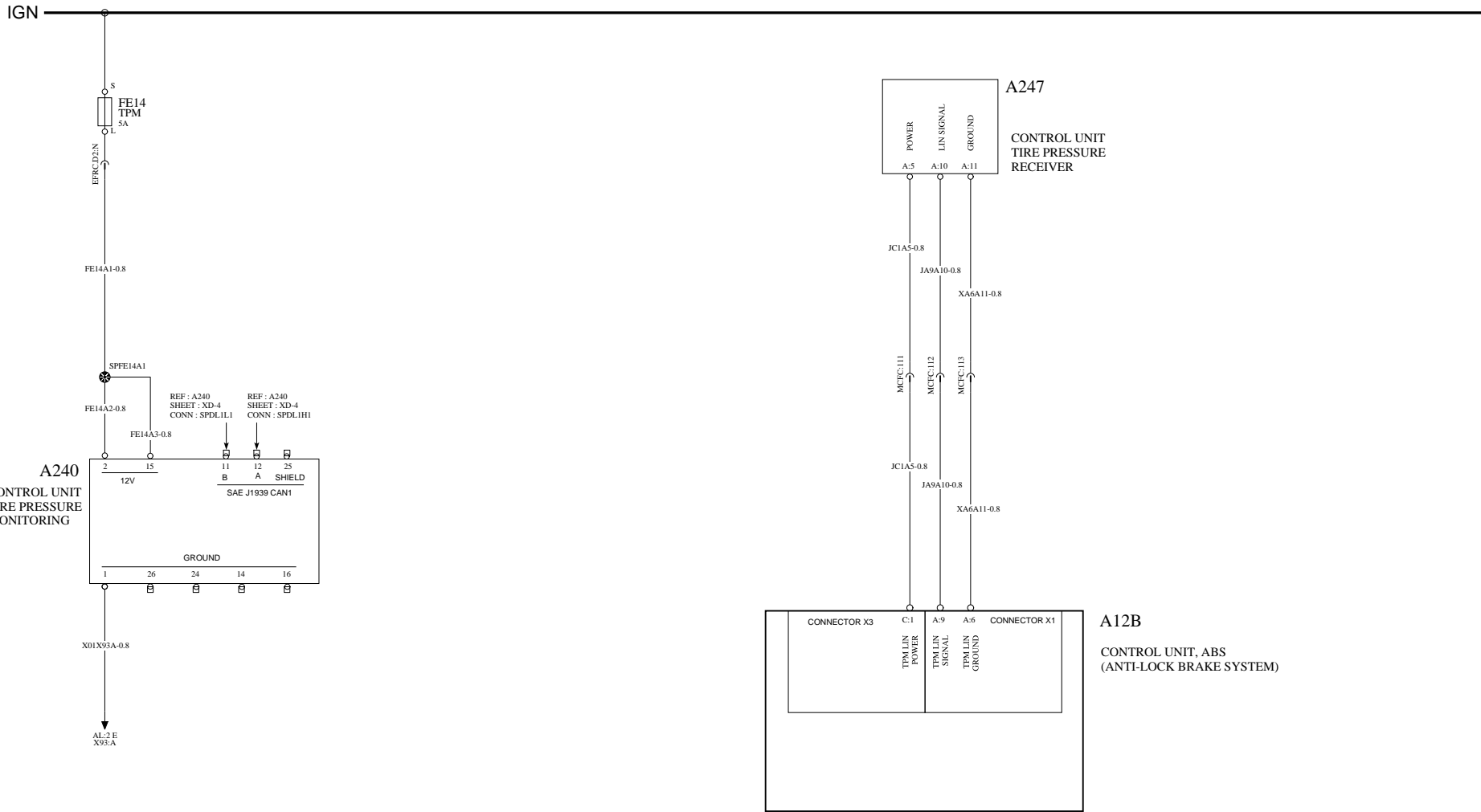
5TH WHEEL LOCK

WIRING DIAGRAM: FF



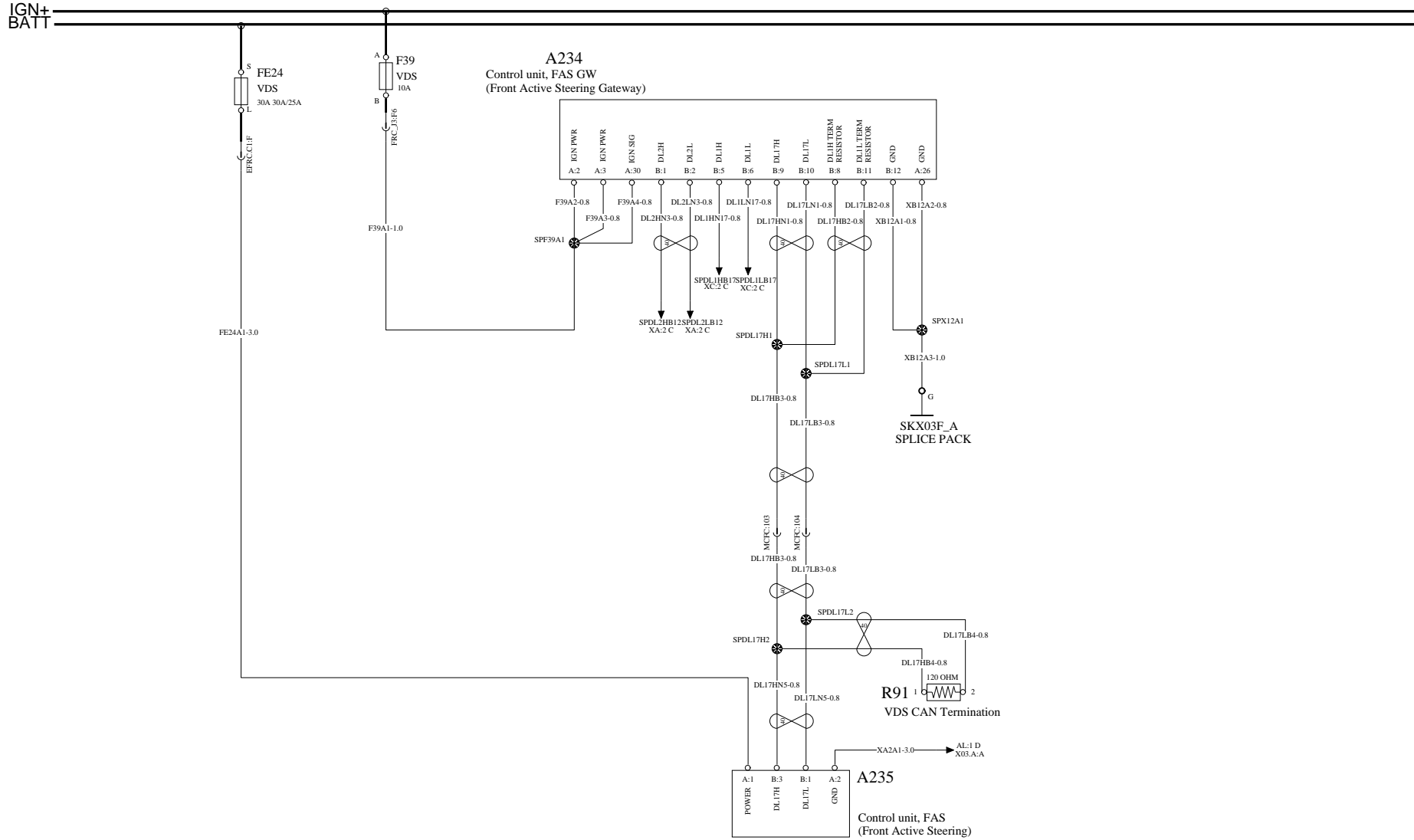
TIRE PRESSURE MONITORING SYSTEM

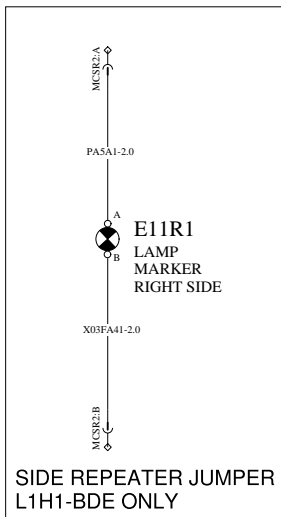
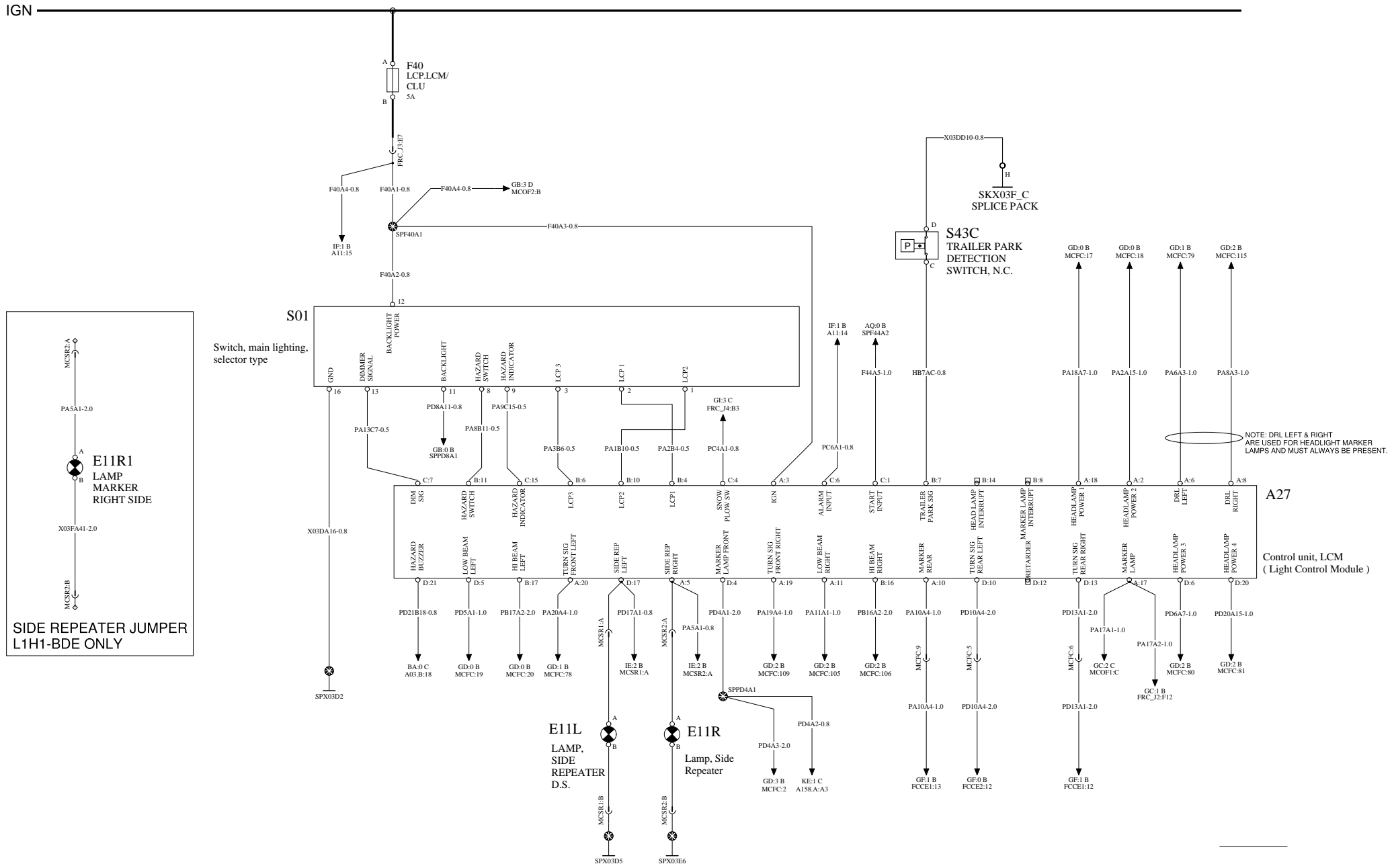
WIRING DIAGRAM: FG



# DYNAMIC STEERING

# WIRING DIAGRAM: FH



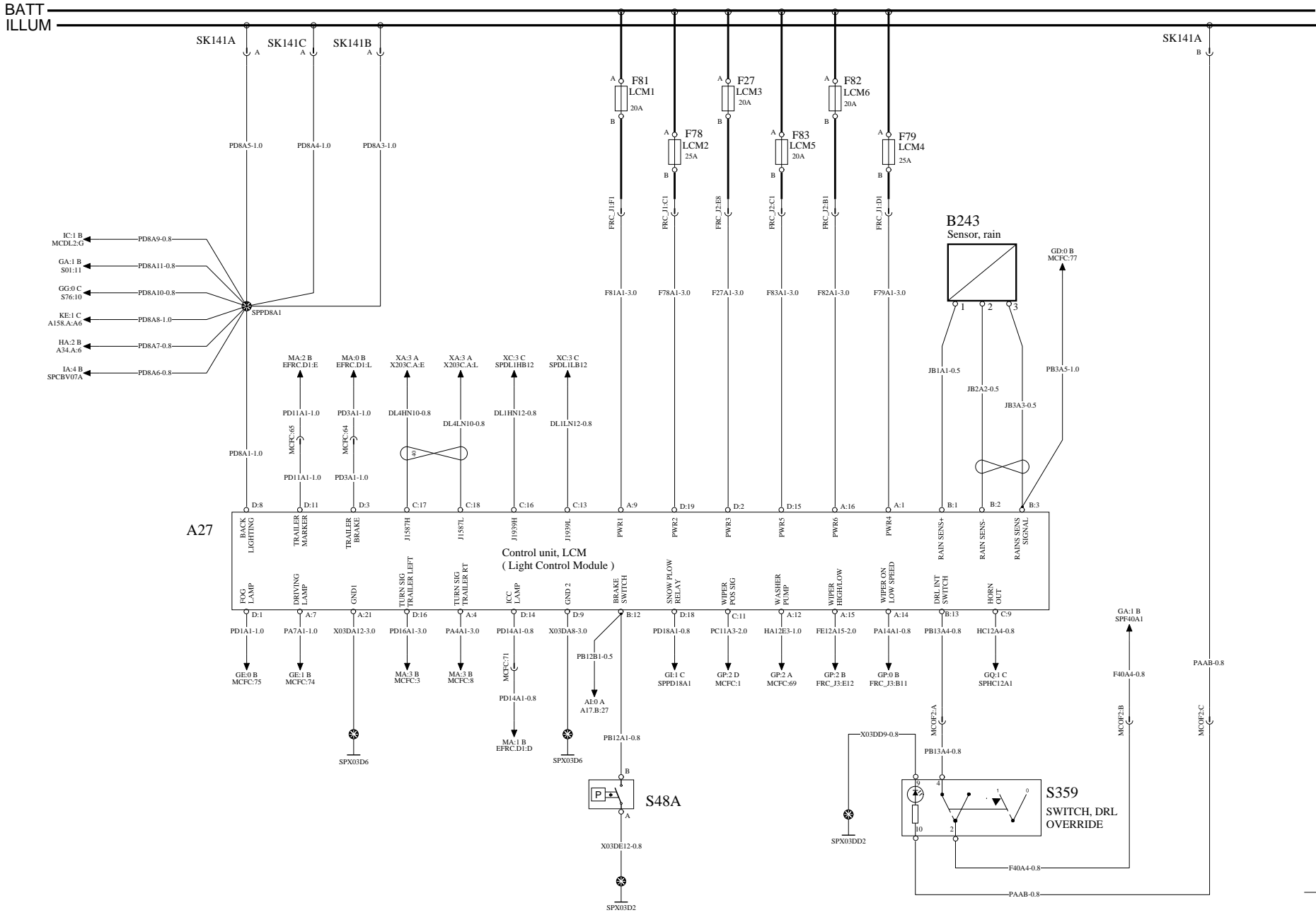


NOTE: DRL LEFT & RIGHT ARE USED FOR HEADLIGHT MARKER LAMPS AND MUST ALWAYS BE PRESENT.

Document title 12V VOLVO CONVENTIONAL	Document No 22622040	Issue 05	Volume 1 (2)	Page 58 (118)
Document type PRODUCT SCHEMATIC				

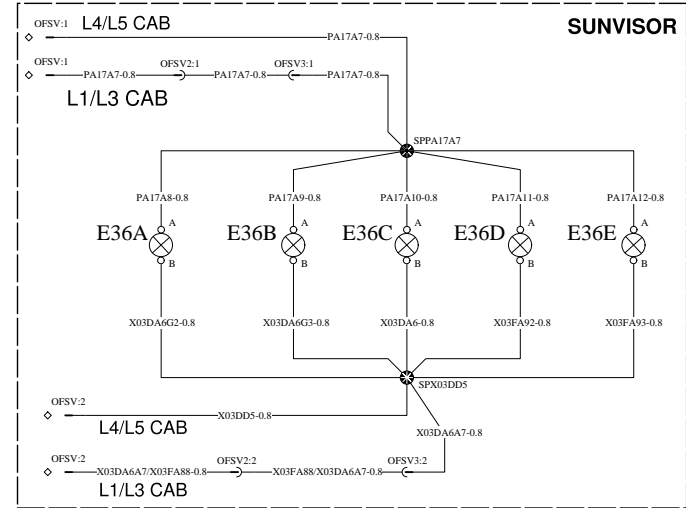
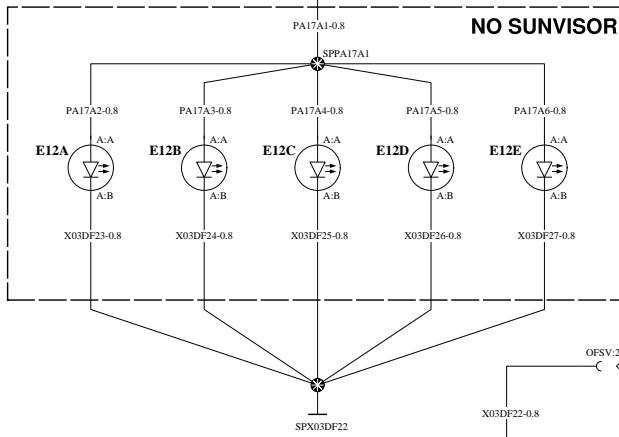
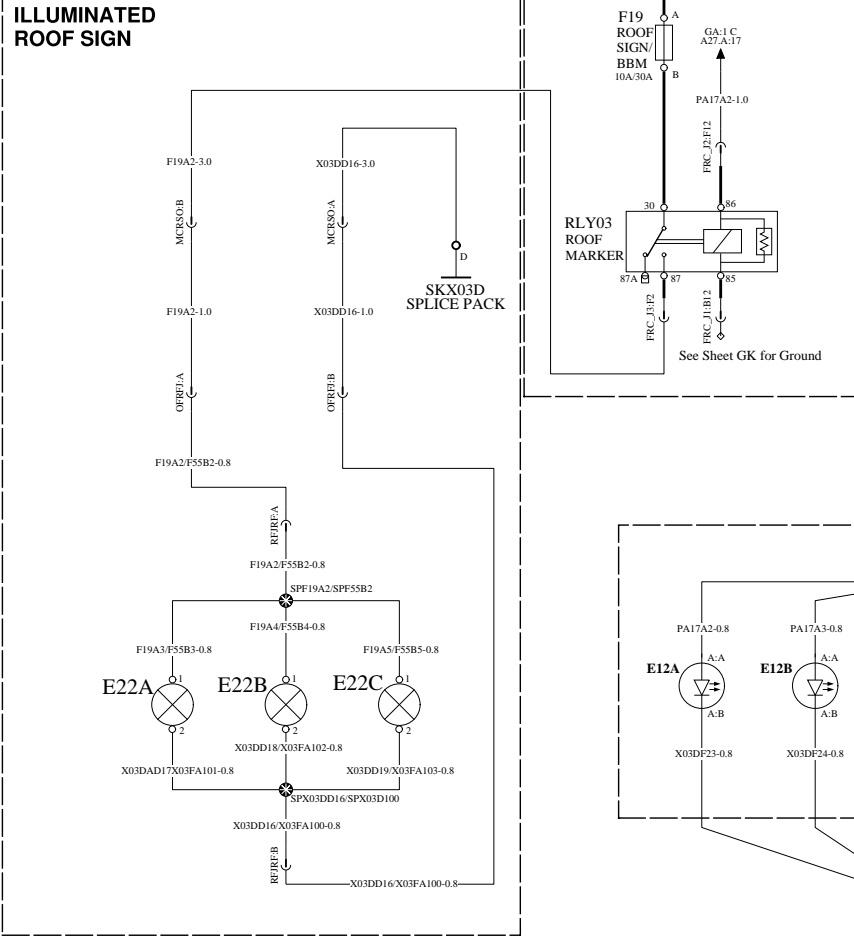
LIGHTING CONTROL 2/2

WIRING DIAGRAM: GB

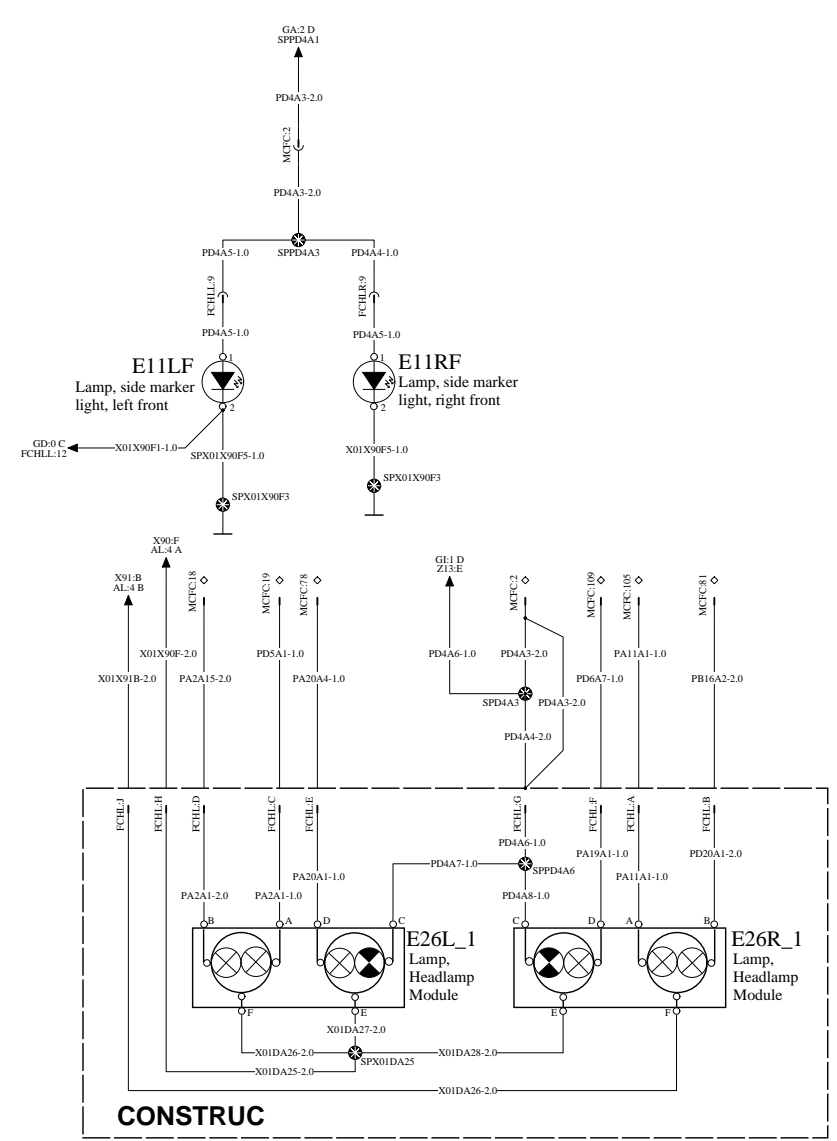
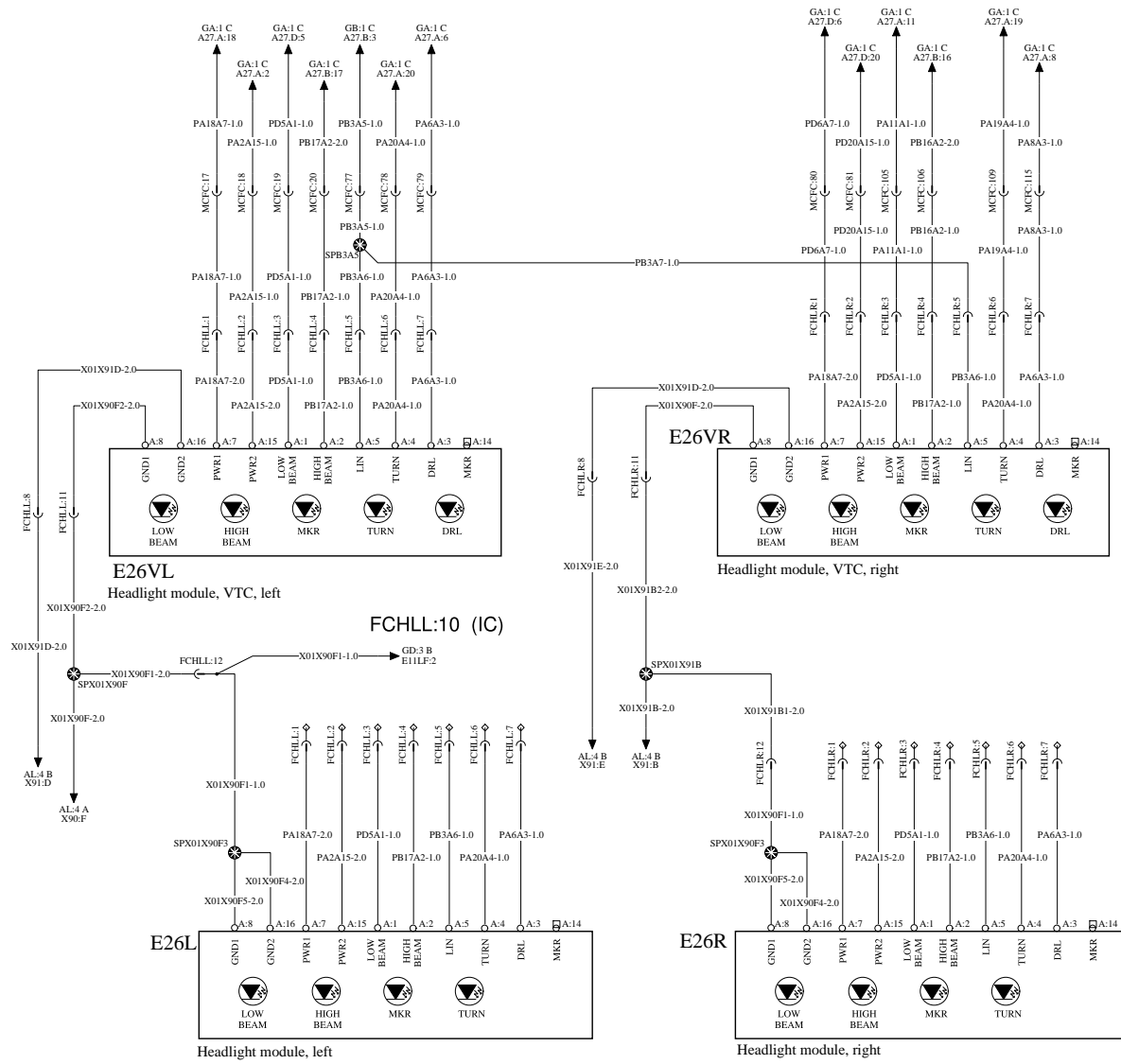


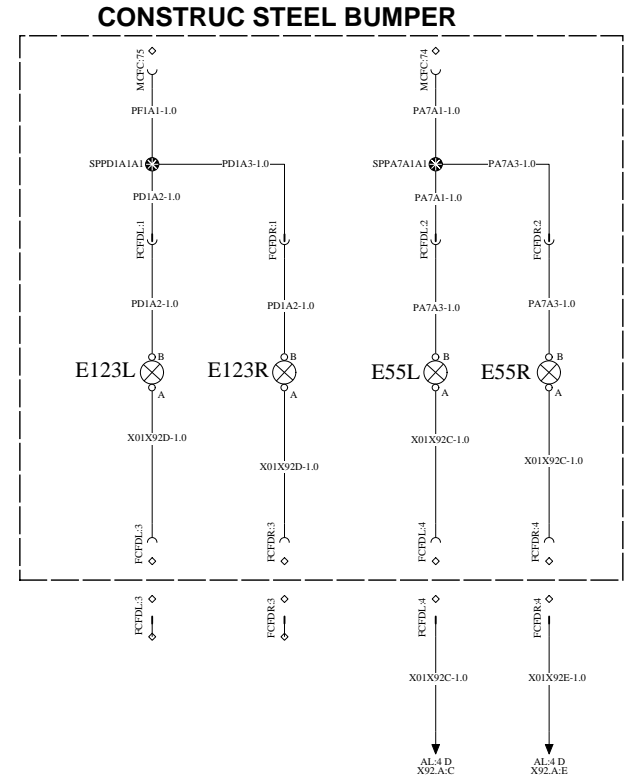
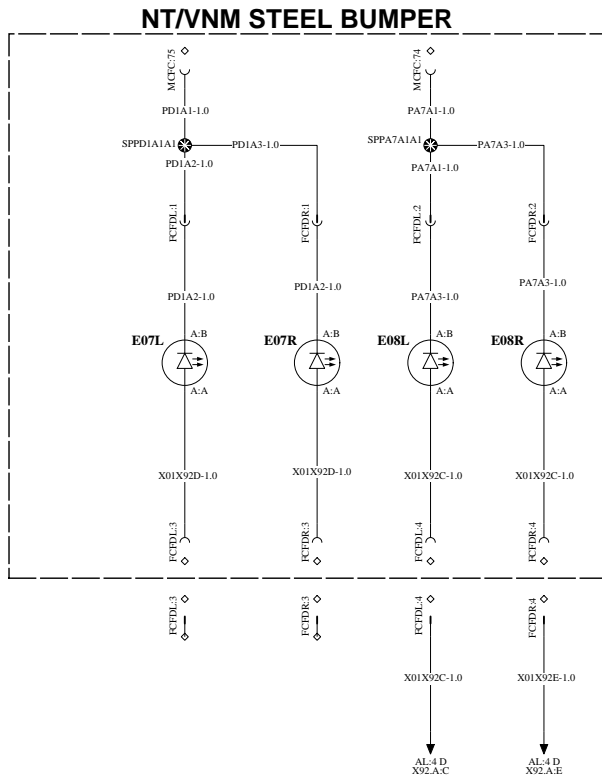
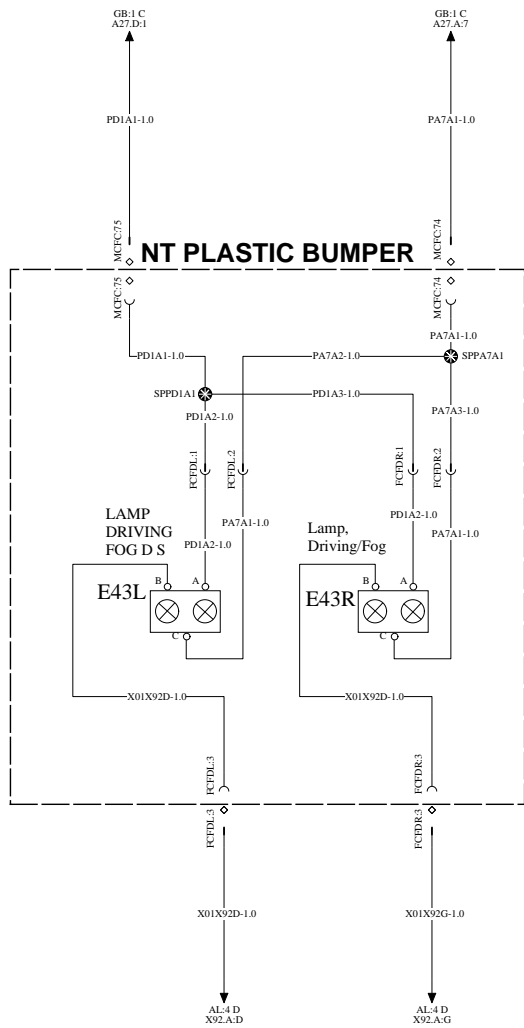
BATT

ILLUMINATED ROOF SIGN



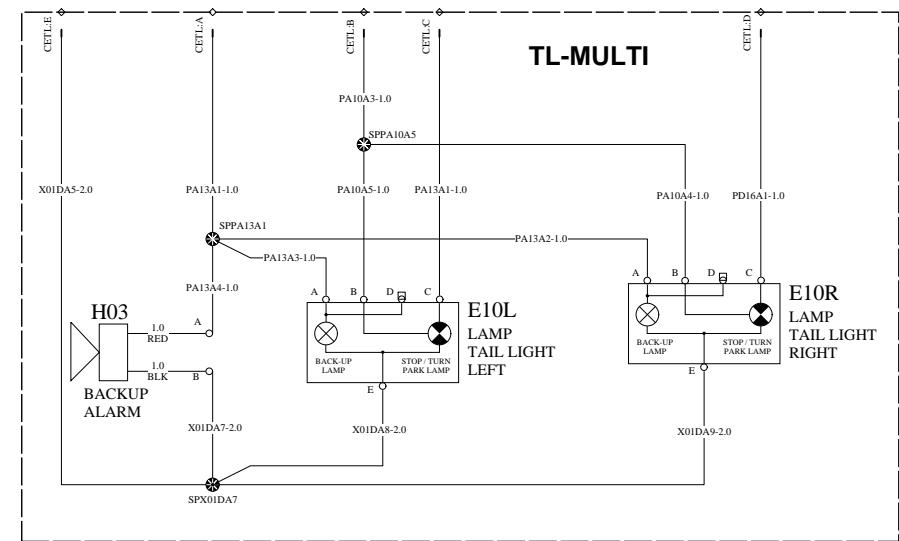
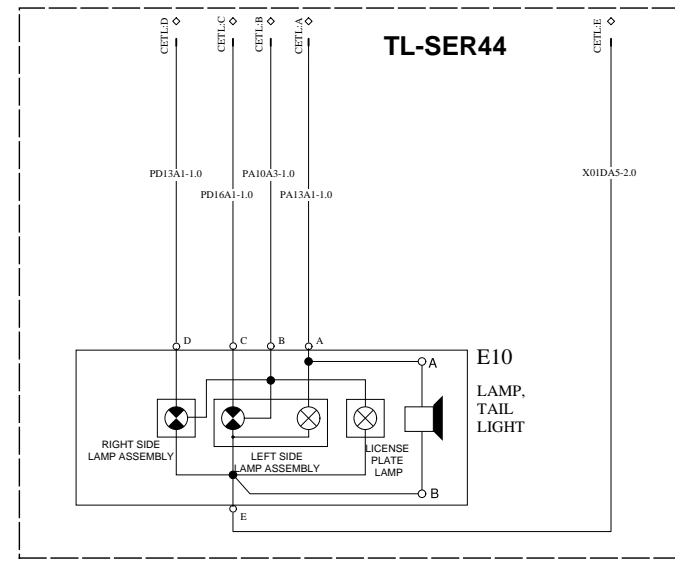
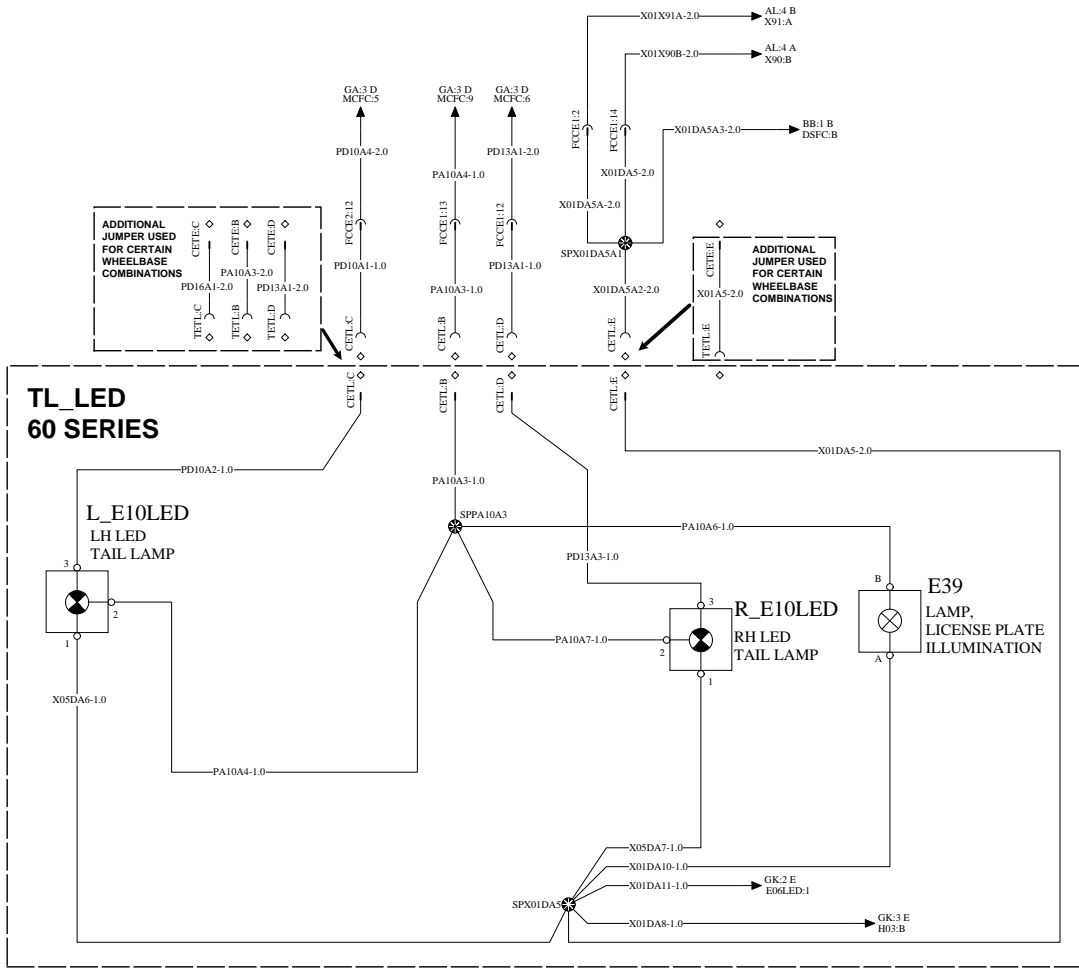






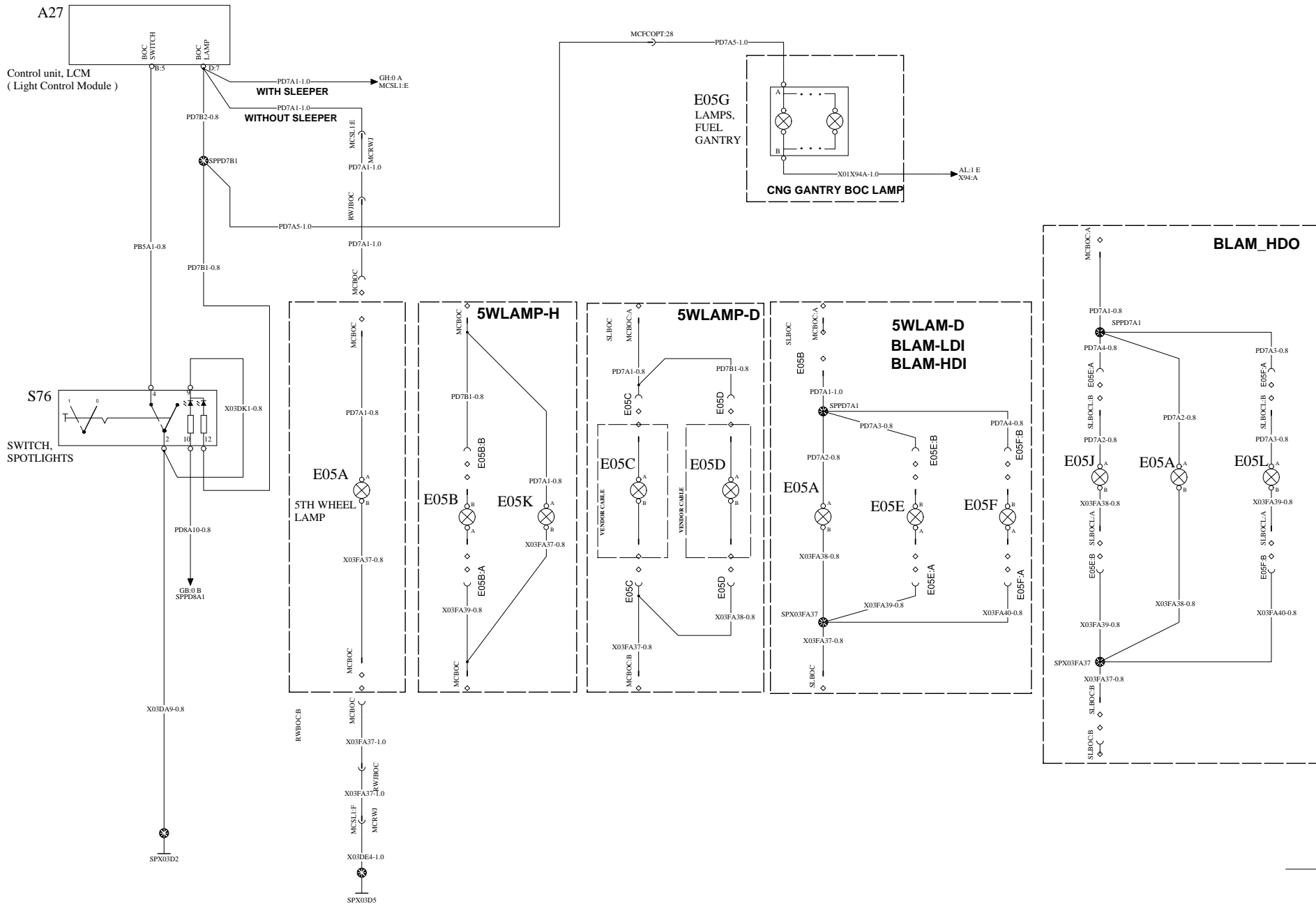
TAIL LAMPS W/ALARM

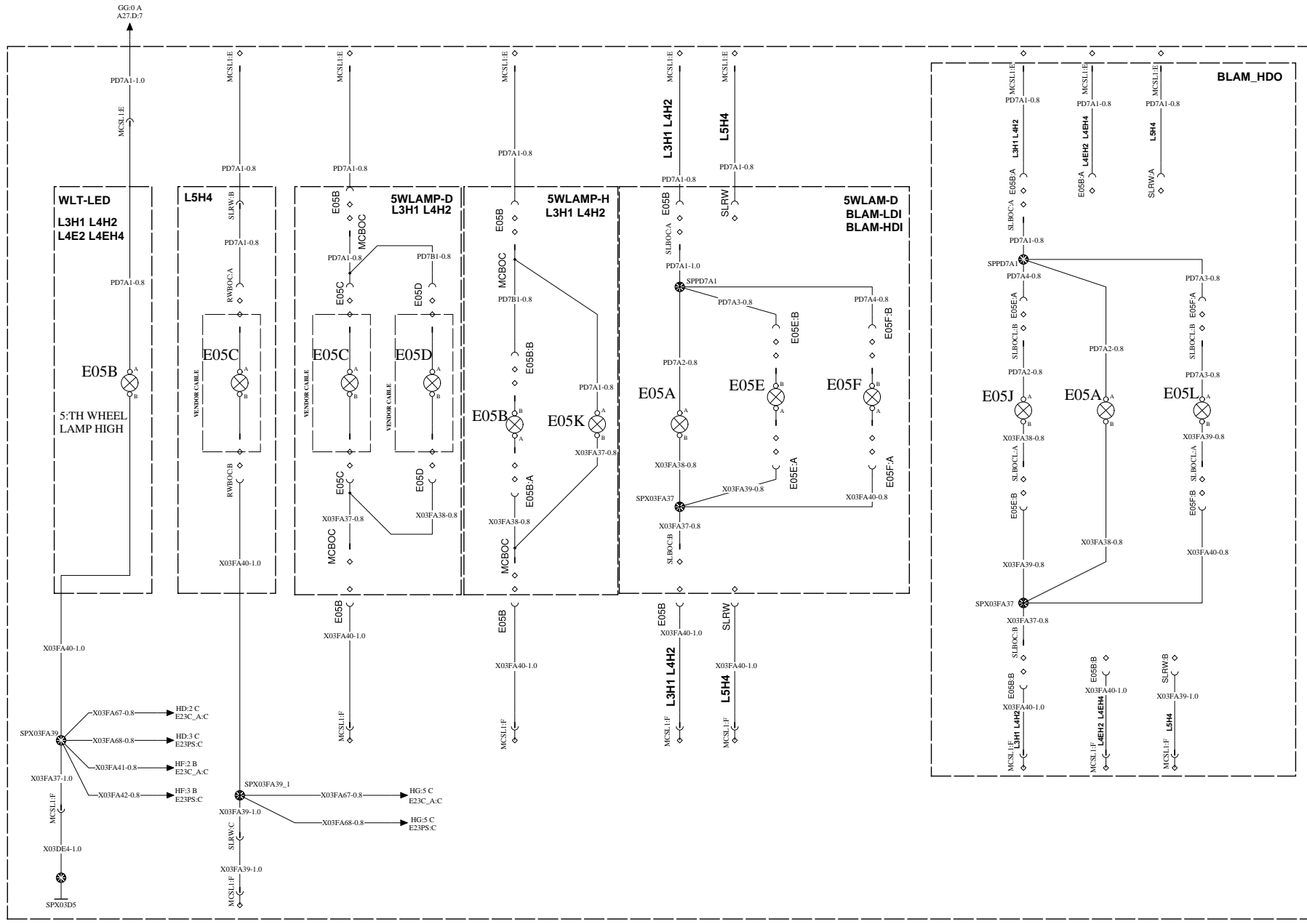
WIRING DIAGRAM: GF



BACK OF CAB LAMPS L1

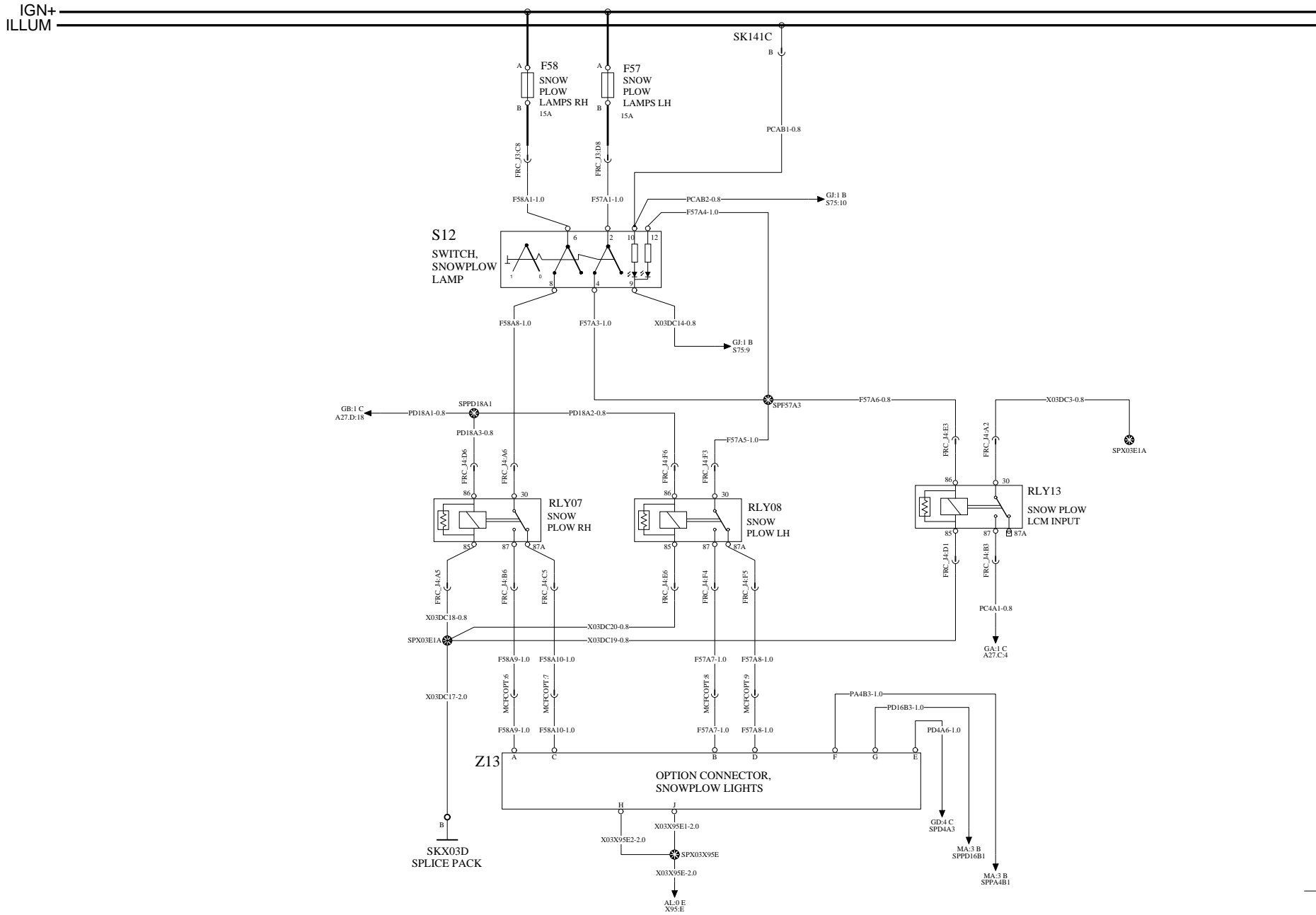
WIRING DIAGRAM: GG





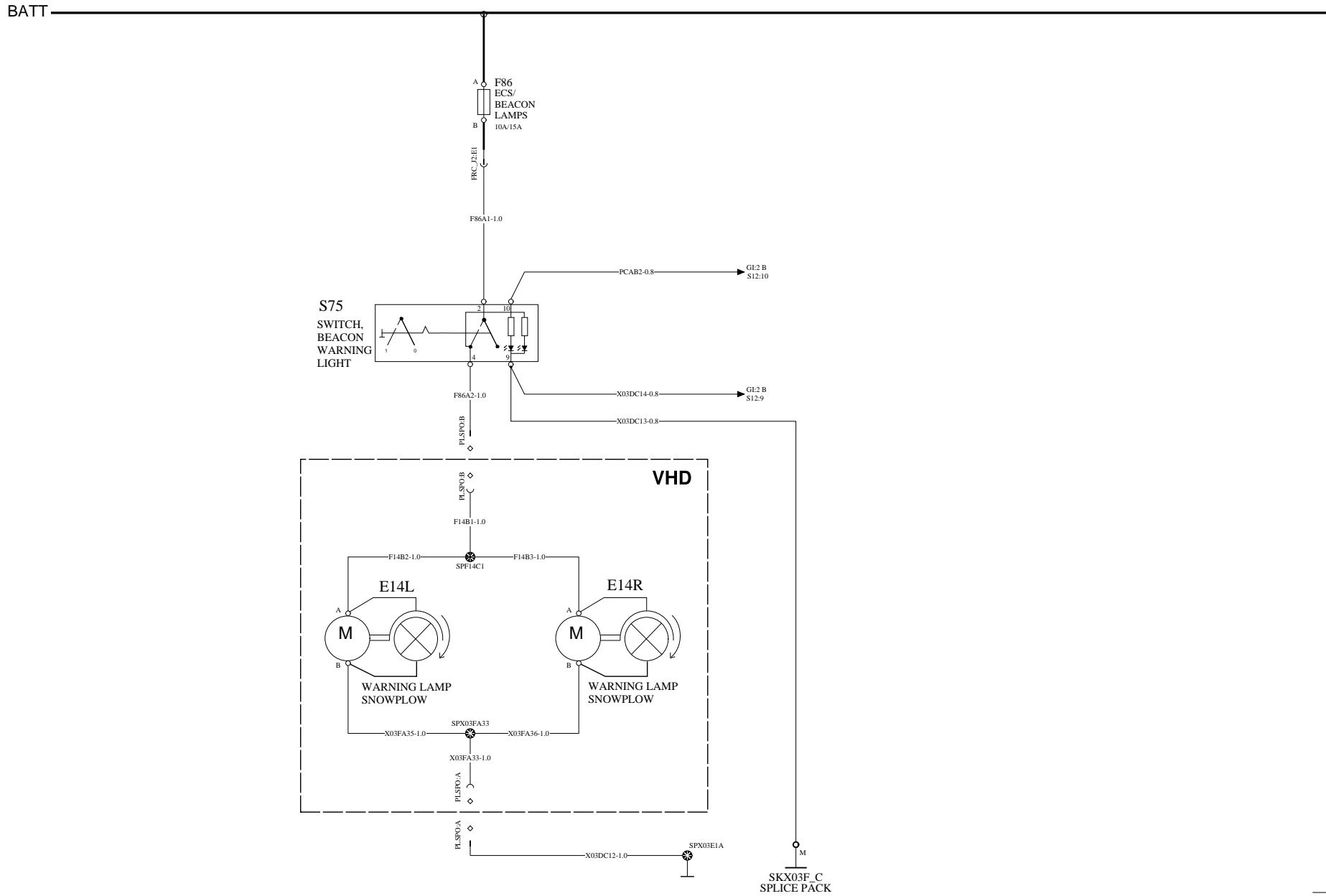
SNOW PLOW AND BEACON LAMPS

WIRING DIAGRAM: GI



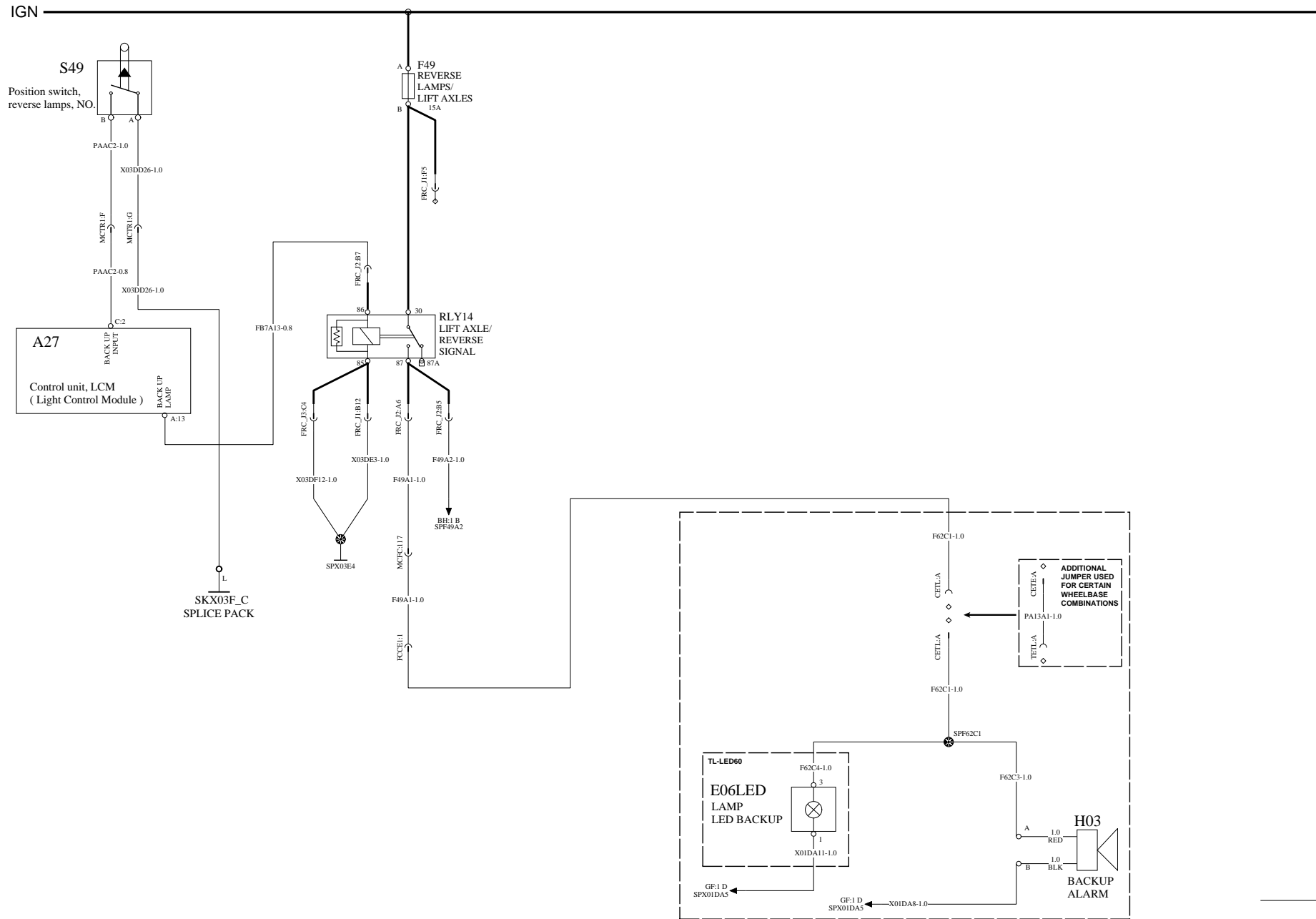
BEACON LAMPS

WIRING DIAGRAM: GJ



BACK UP LAMPS WITH ALARM

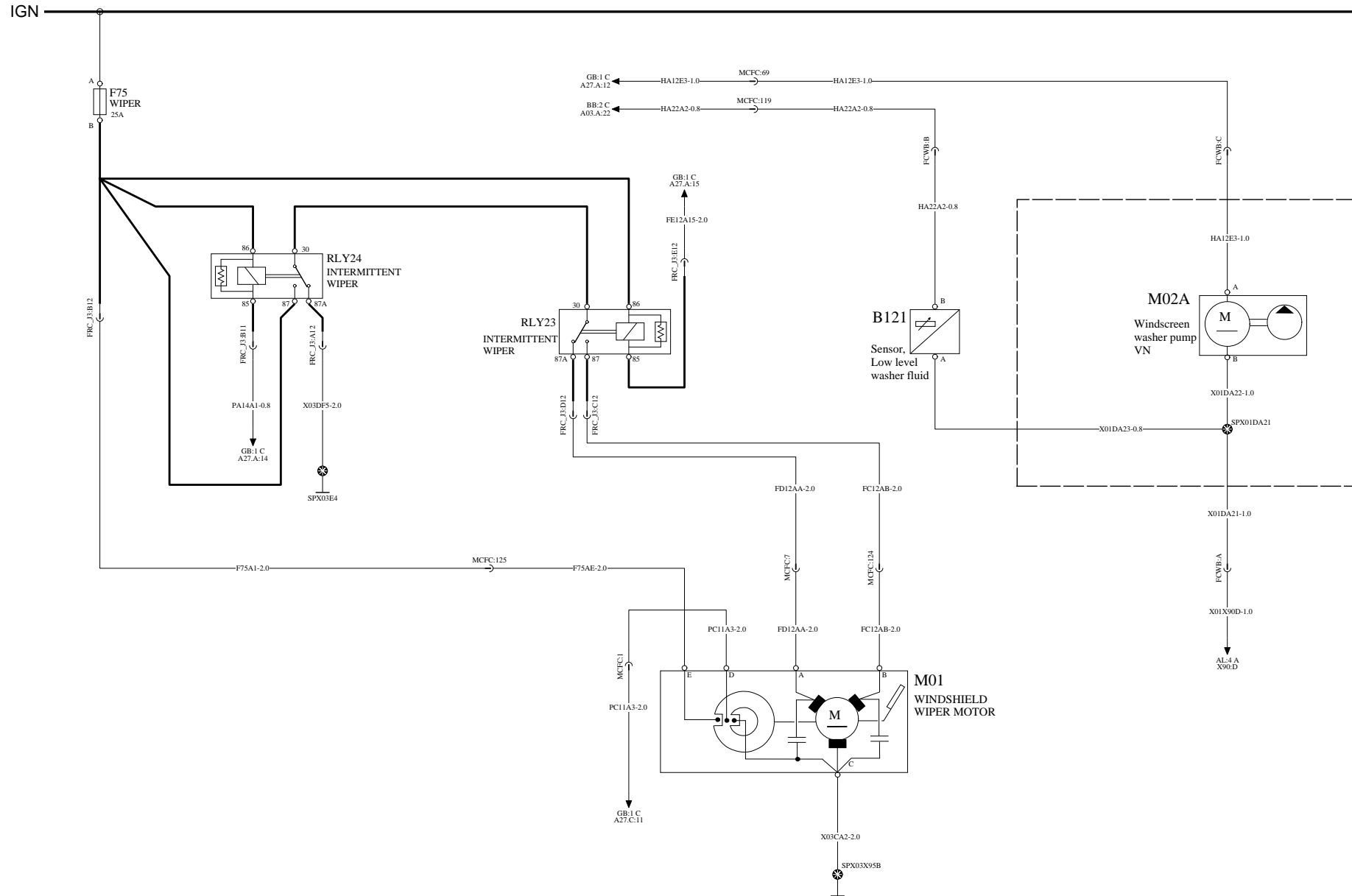
WIRING DIAGRAM: GK



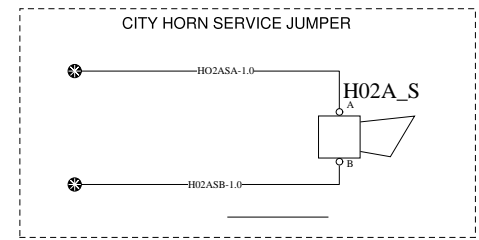
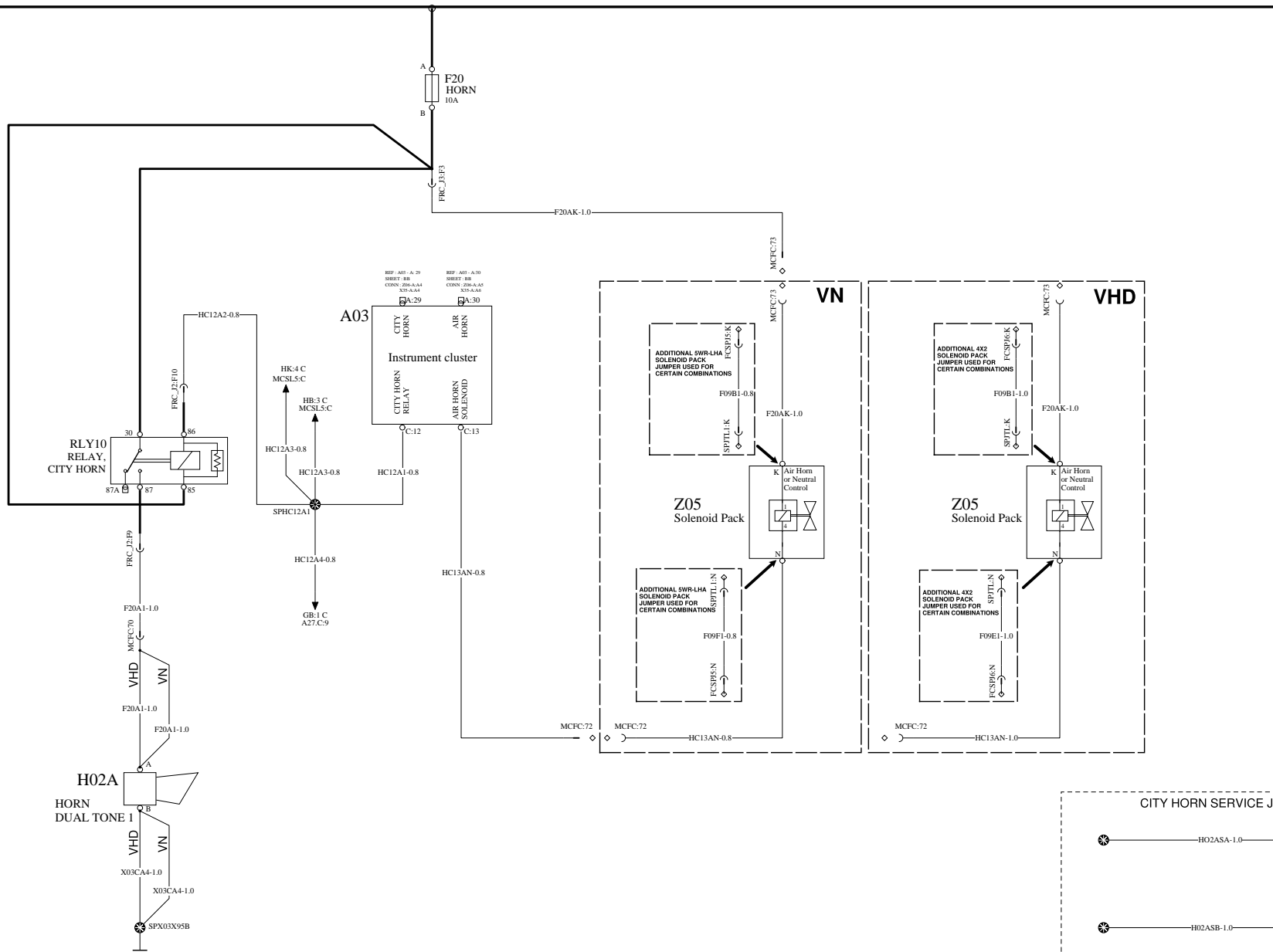


WINDSHIELD WASHER

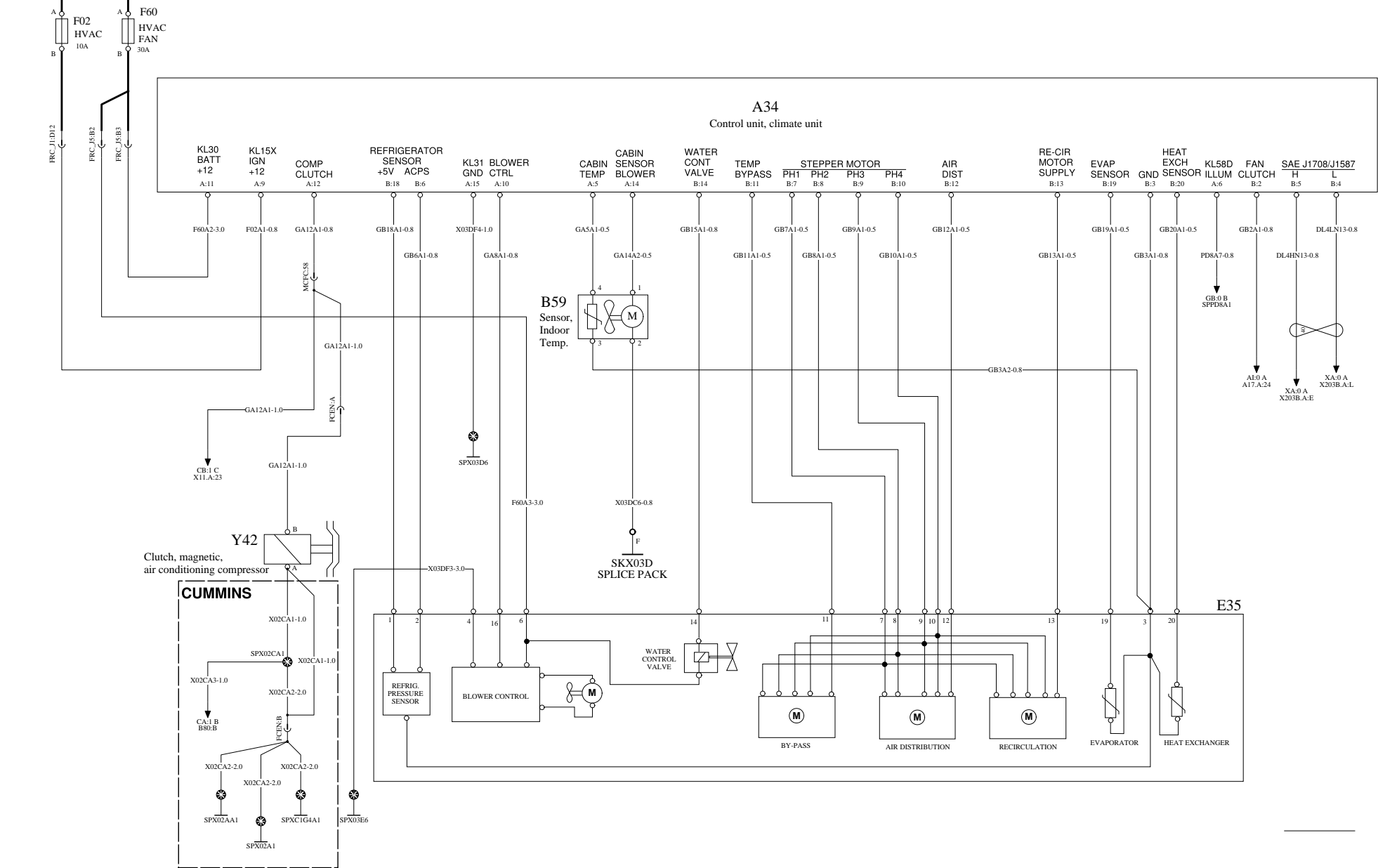
WIRING DIAGRAM: GP



BATT

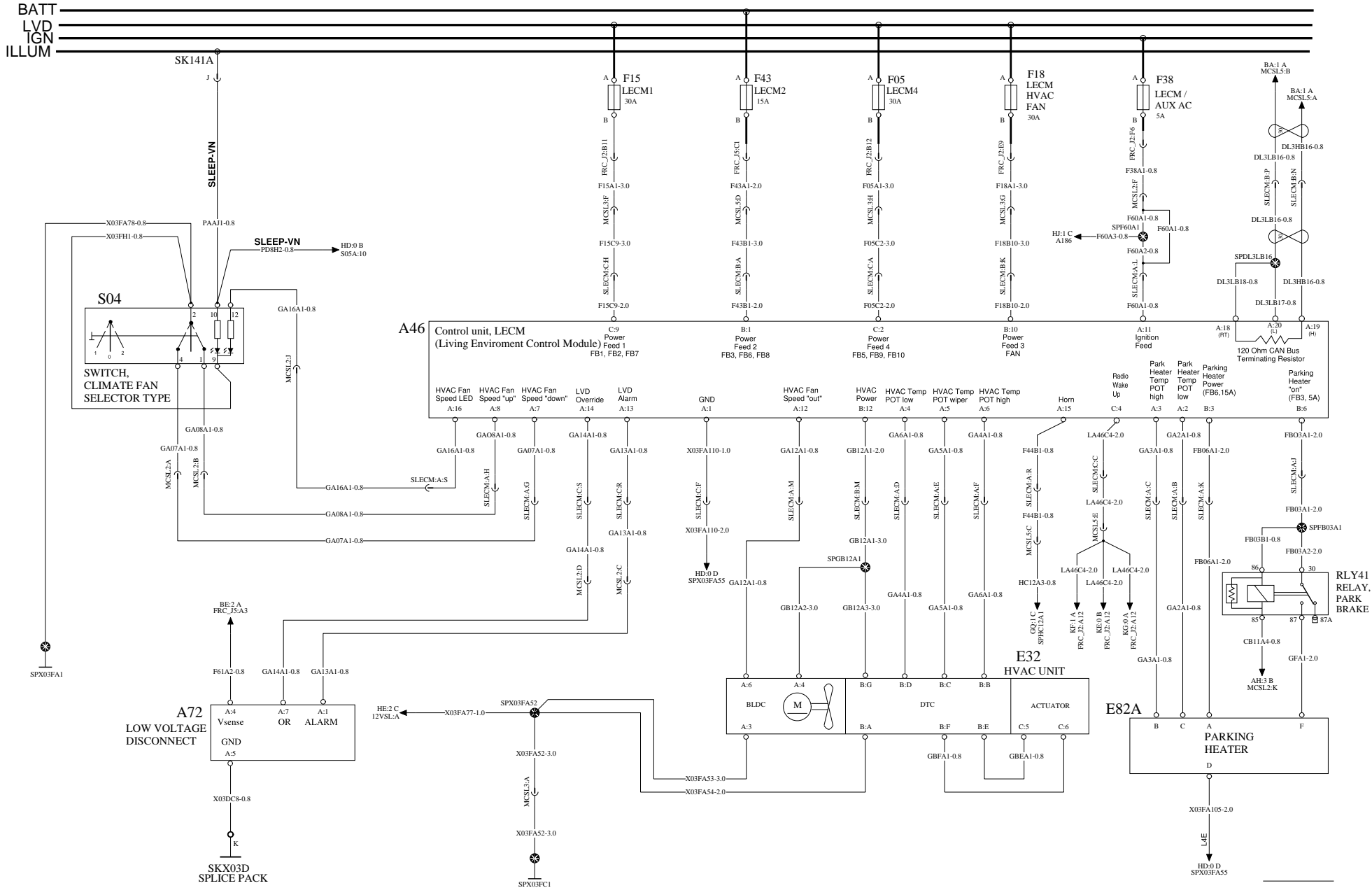


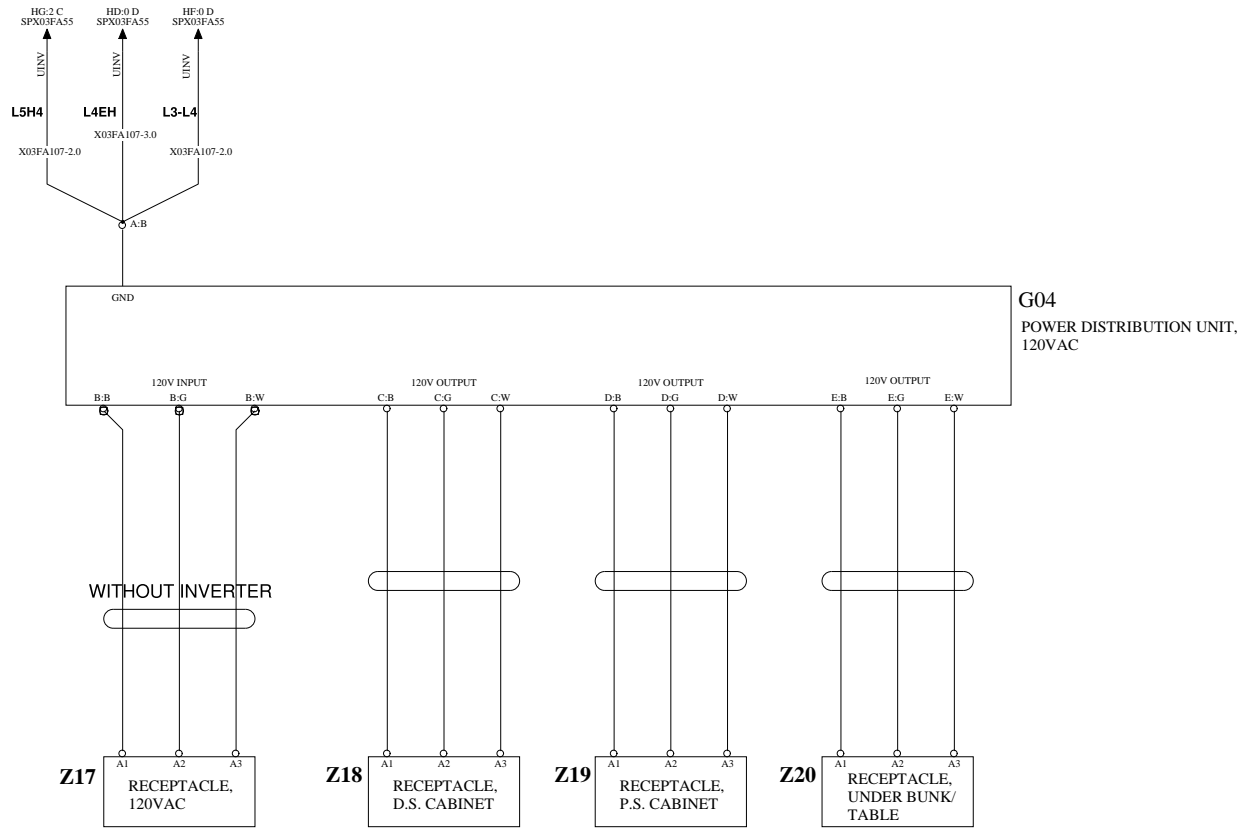
BATT  
ACC



SLEEPER BASE CLIMATE CONTROL W. LECM

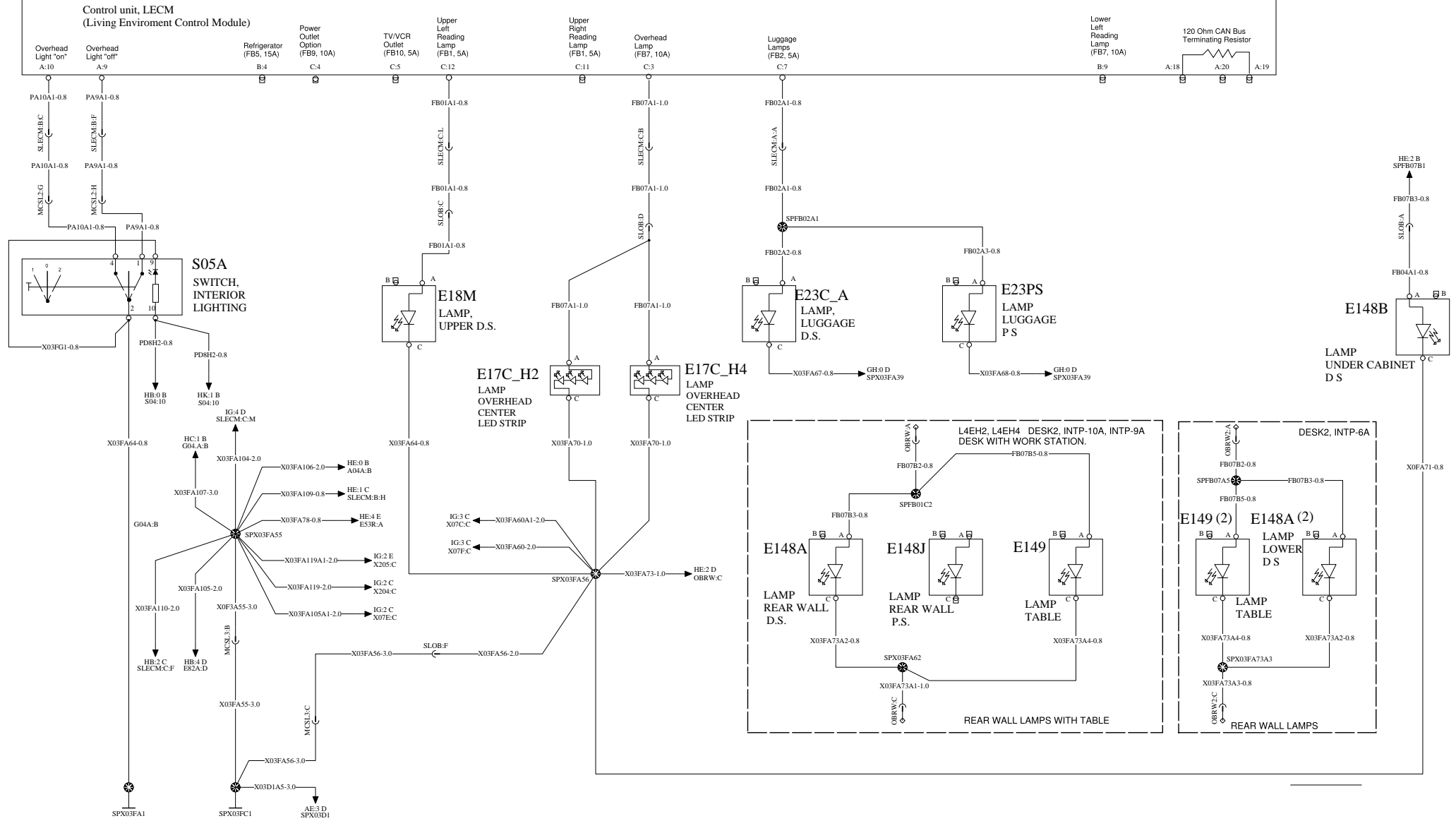
WIRING DIAGRAM: HB

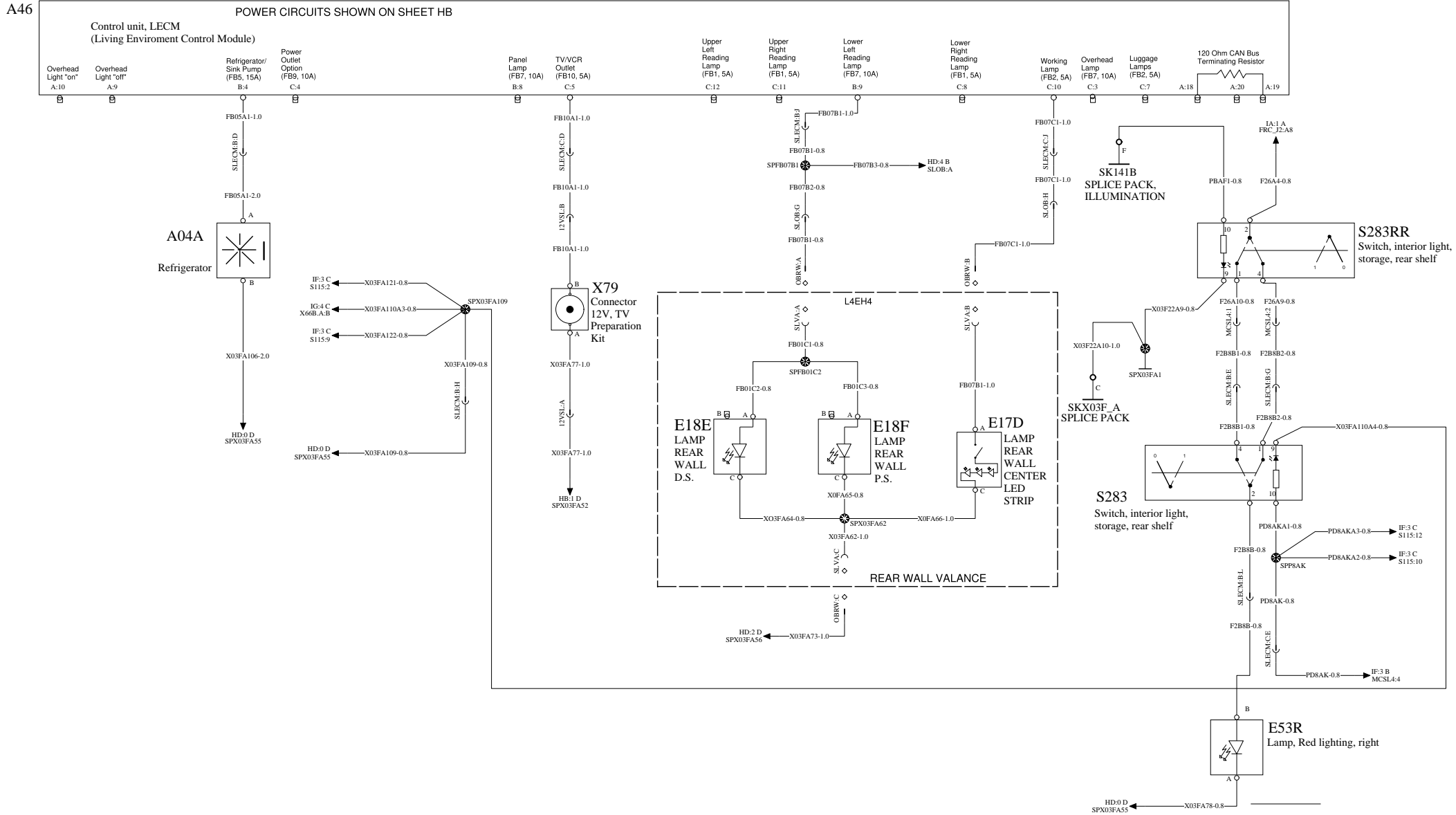


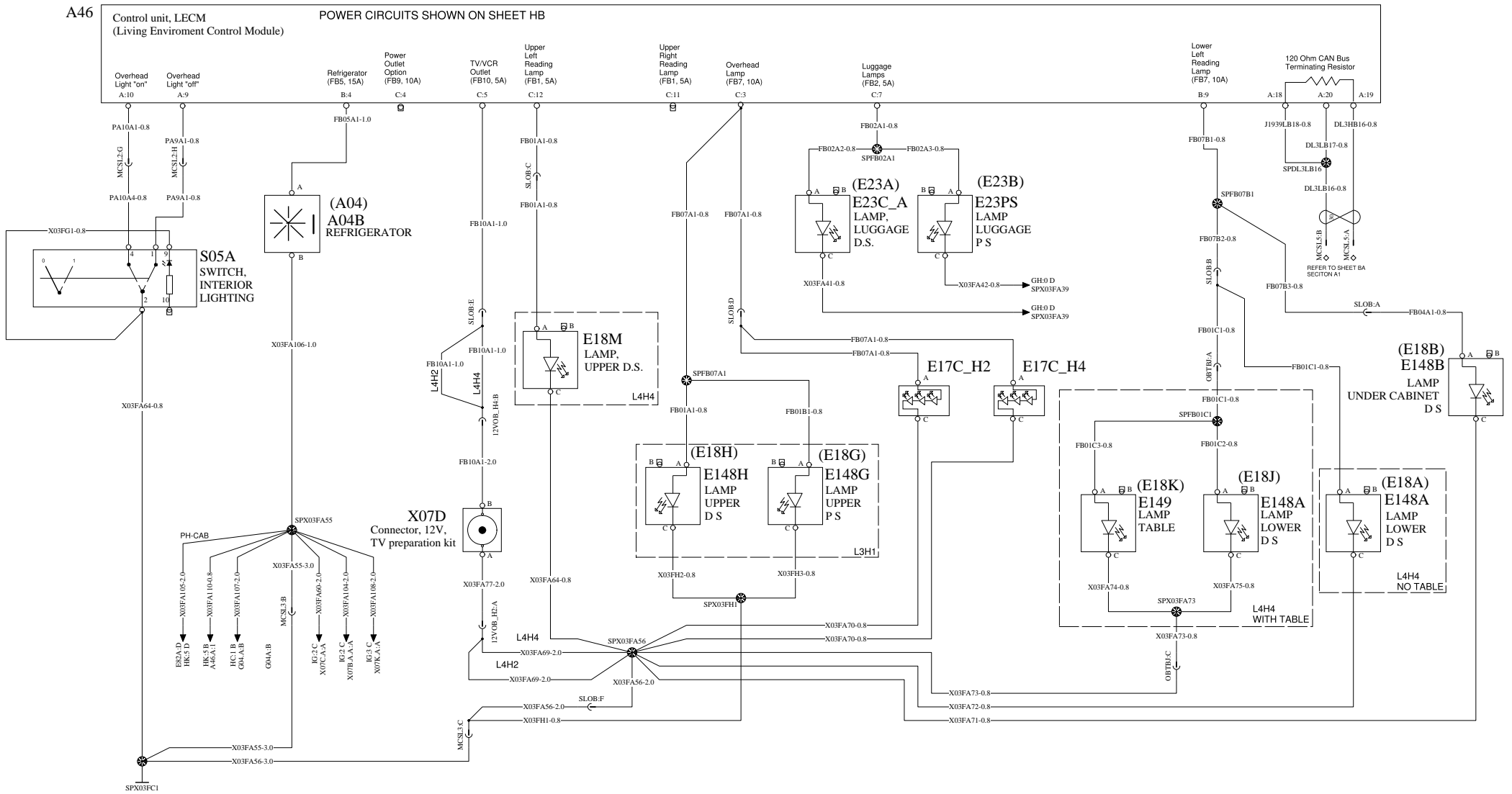


A46

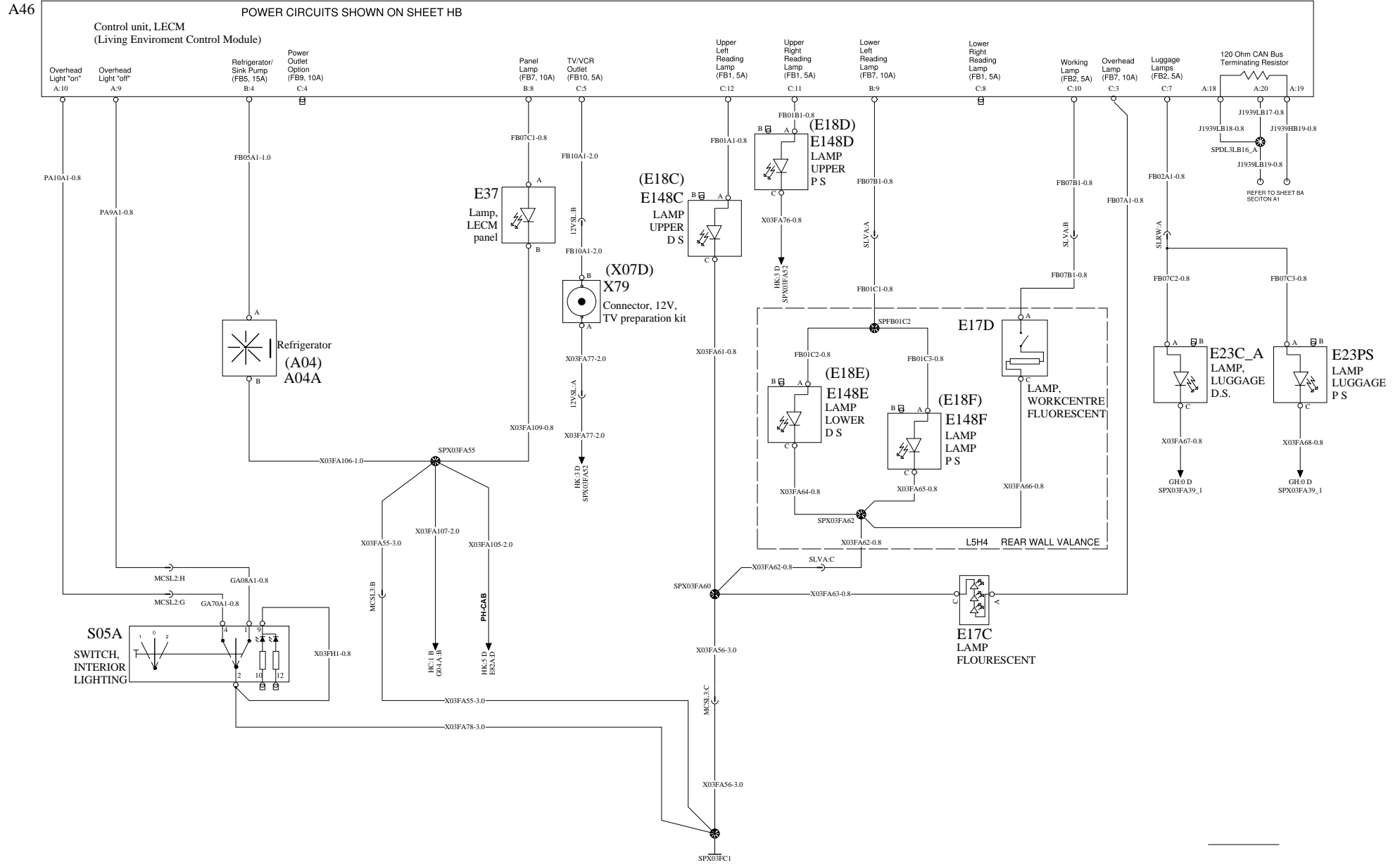
POWER CIRCUITS SHOWN ON SHEET HB

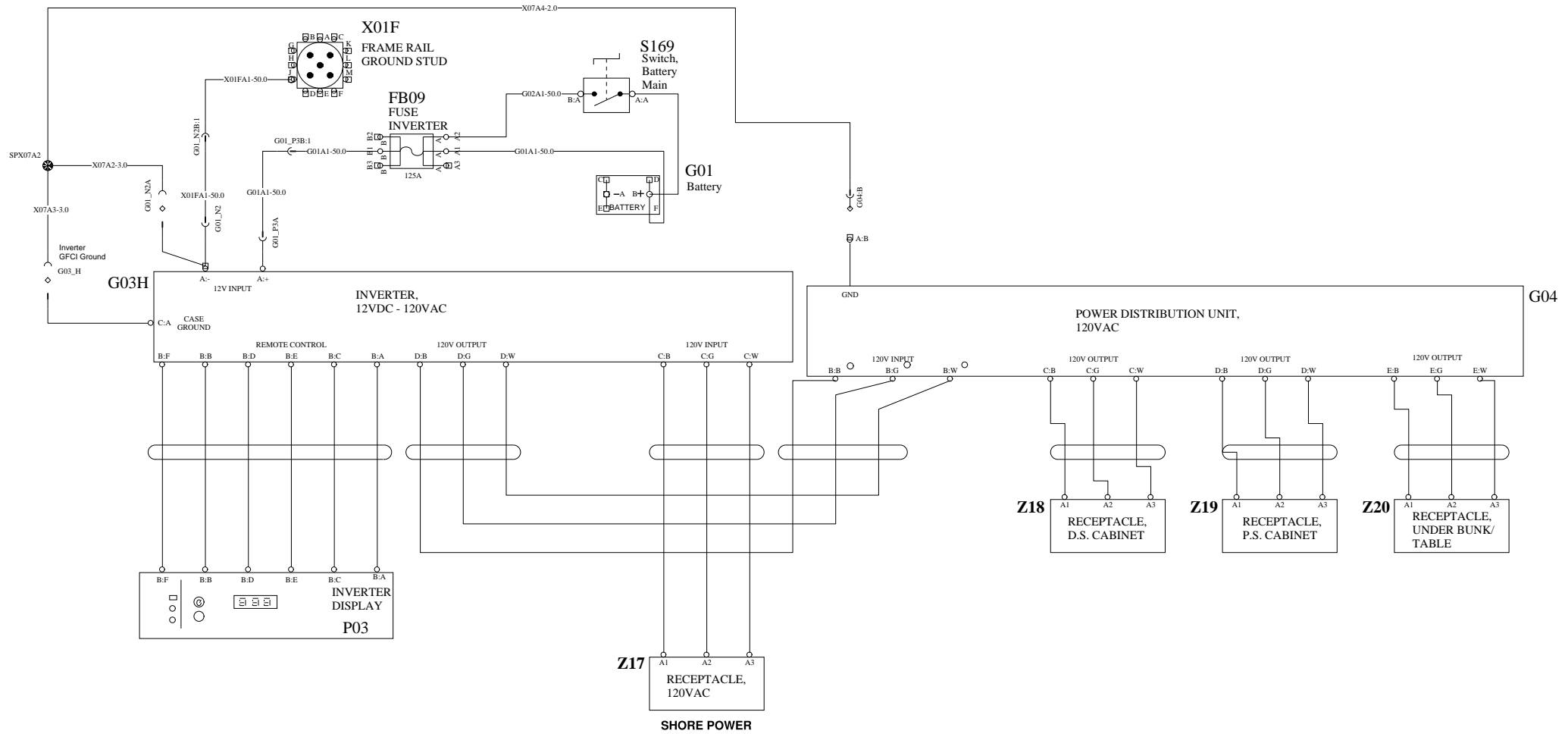


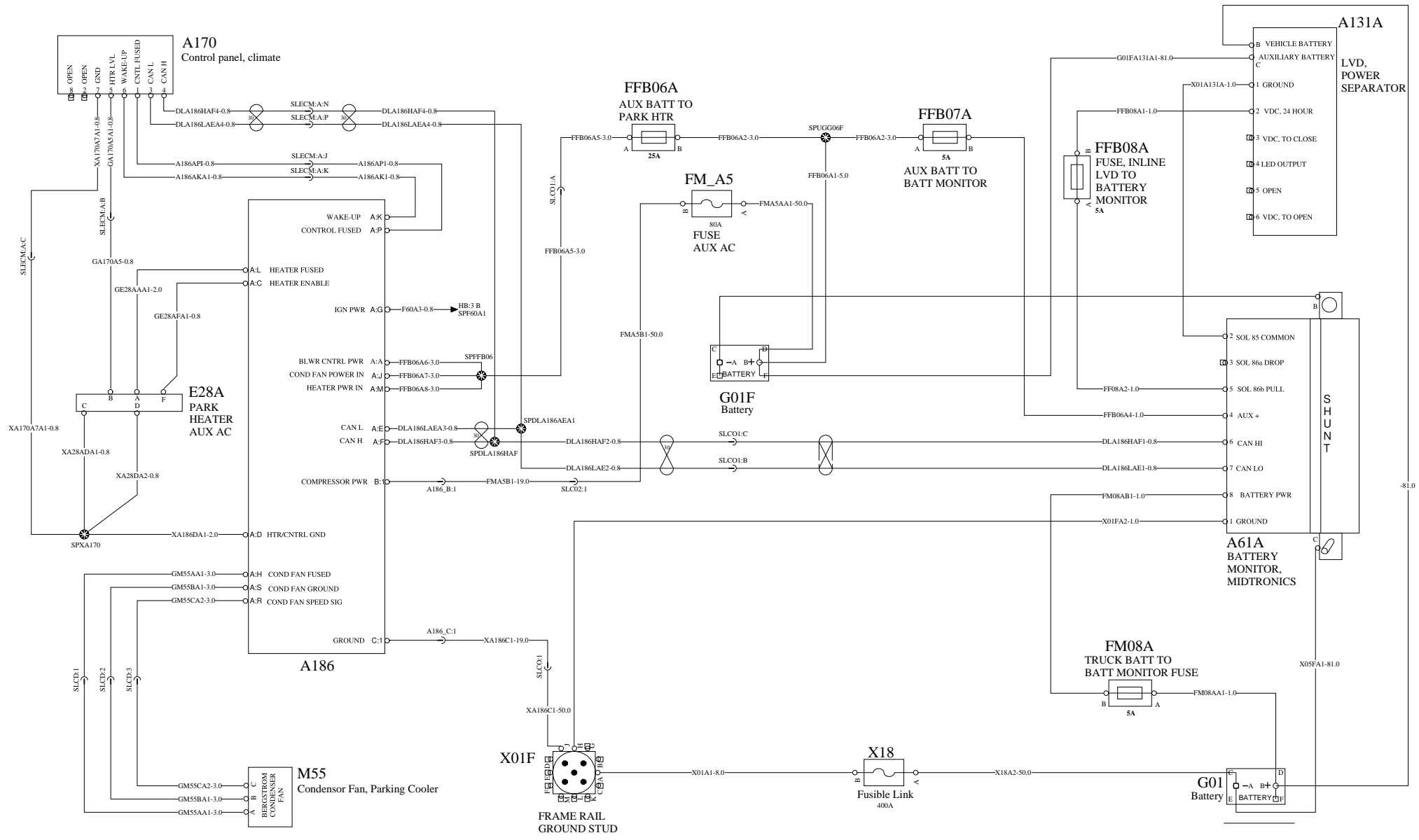






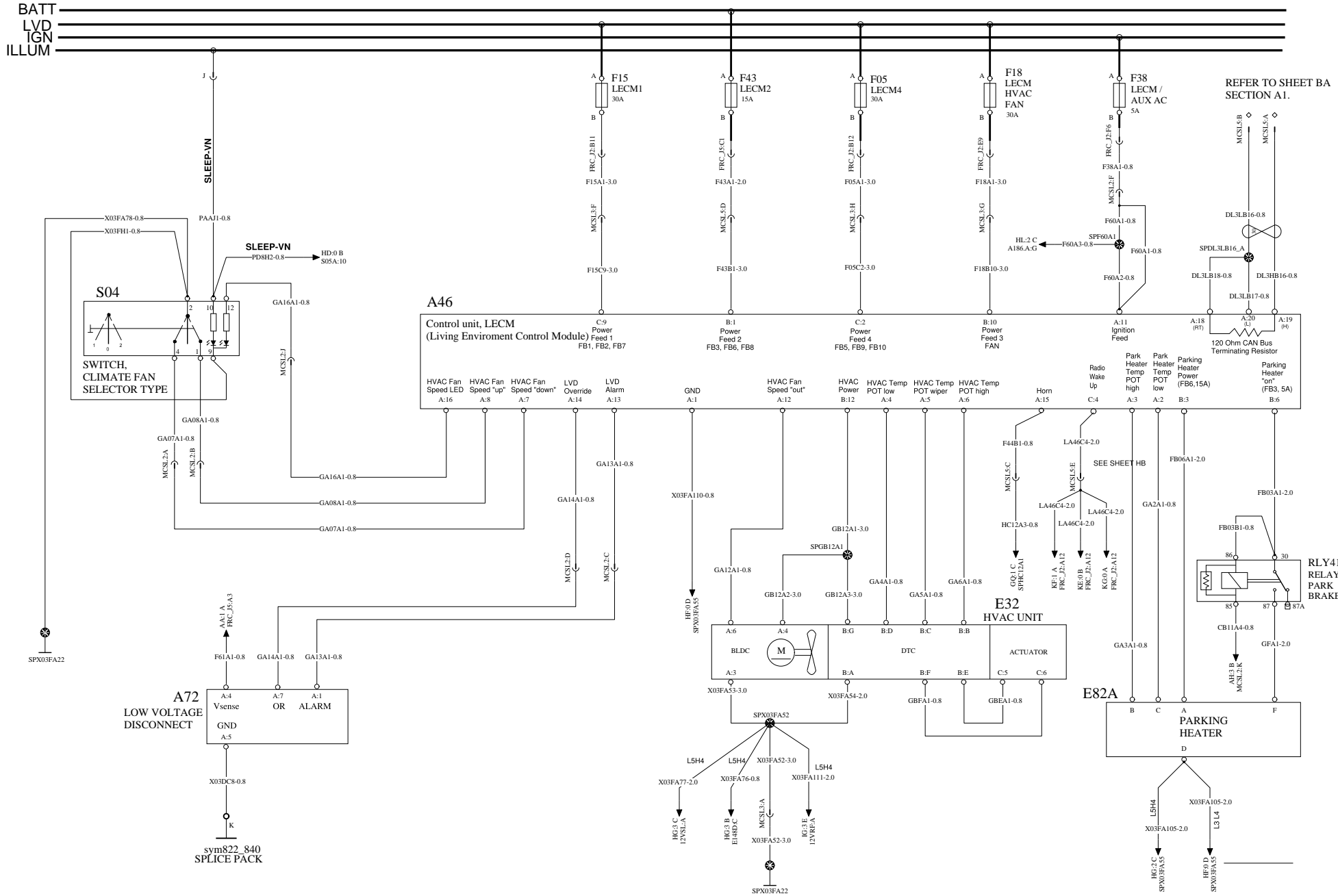






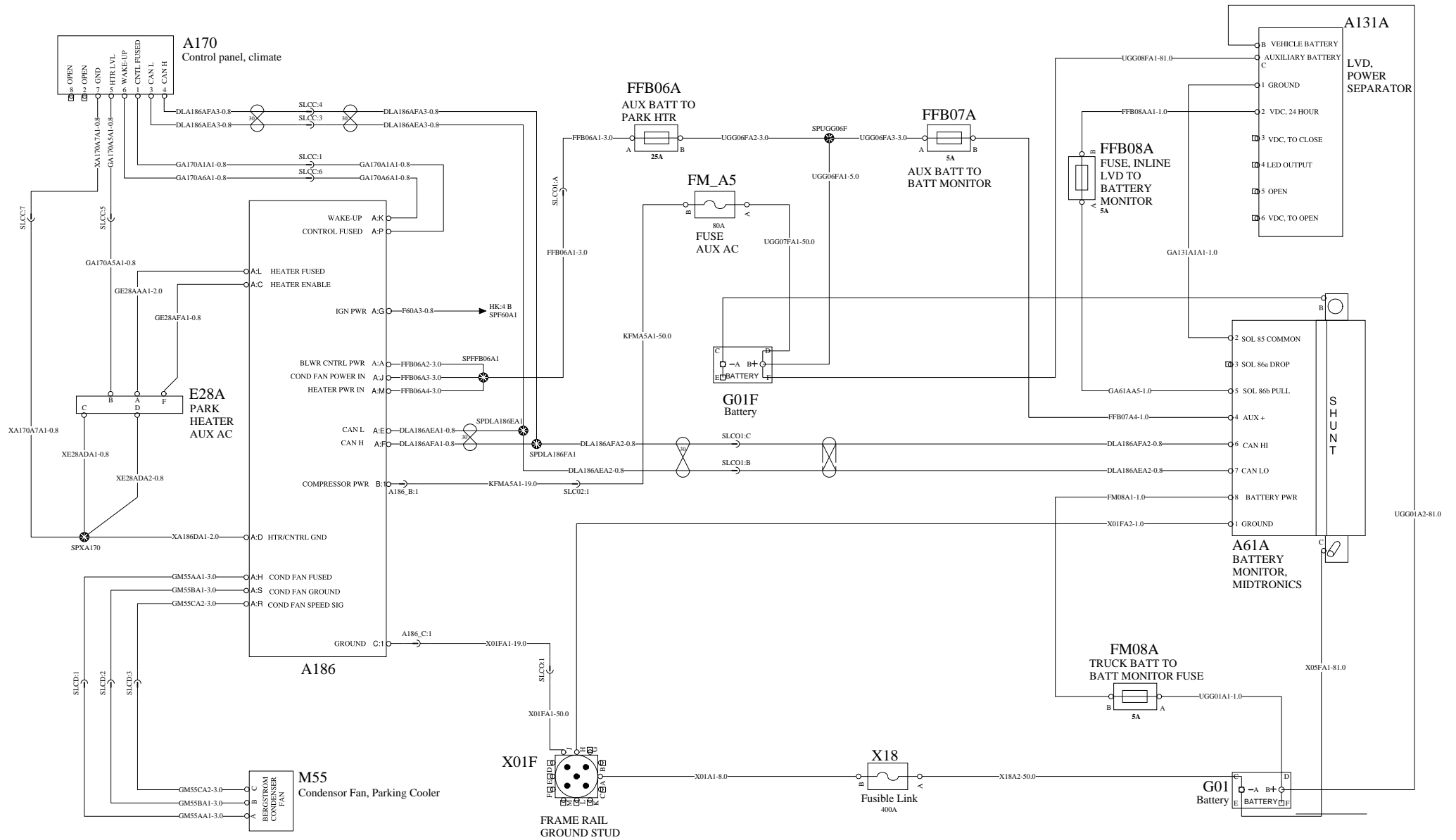
SLEEPER CLIMATE CONTROL L3,L4,L5

WIRING DIAGRAM: HK



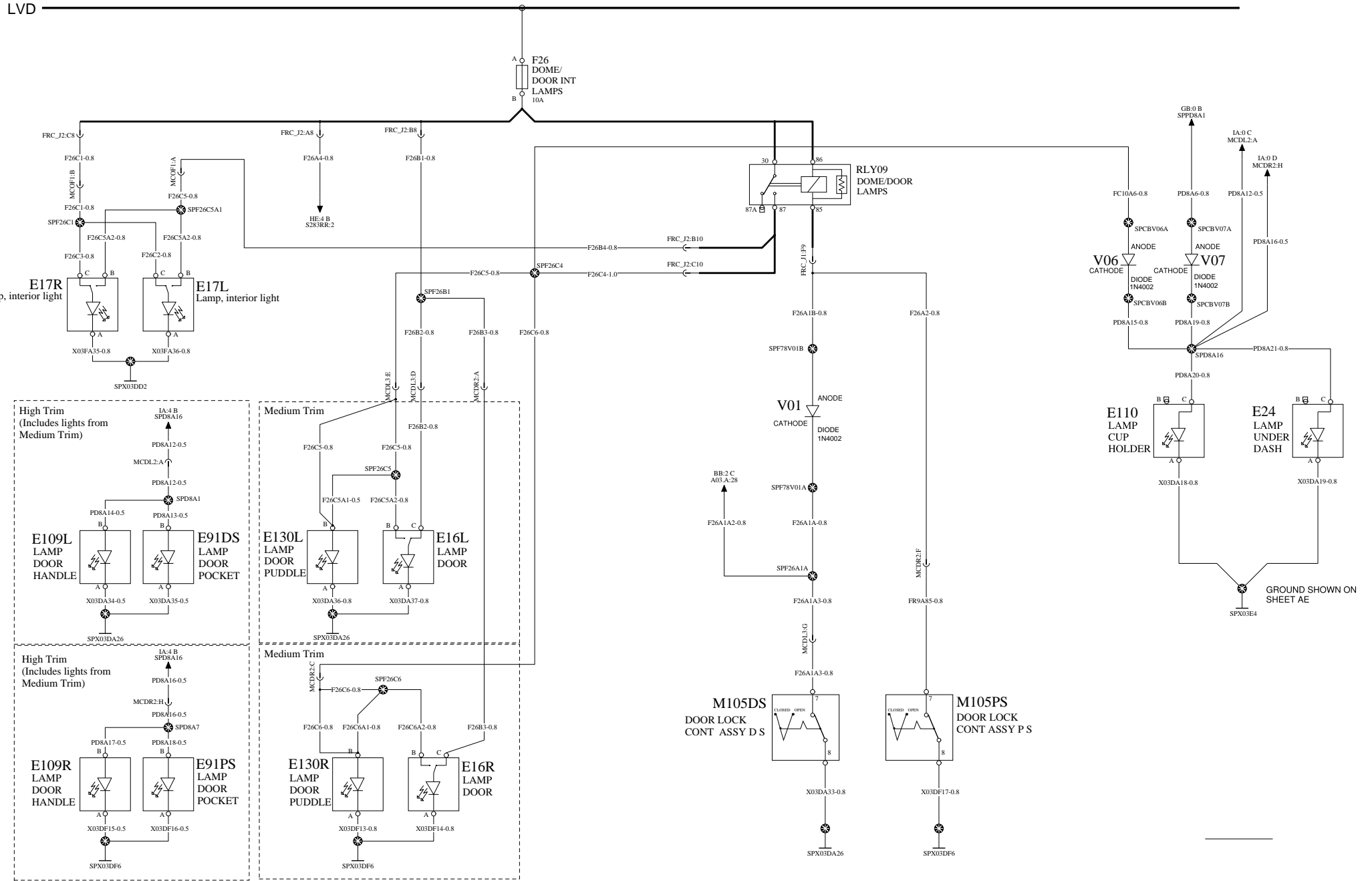
AUXILLARY 12V PARK COOLING SYSTEM L4 AND L5

WIRING DIAGRAM: HL



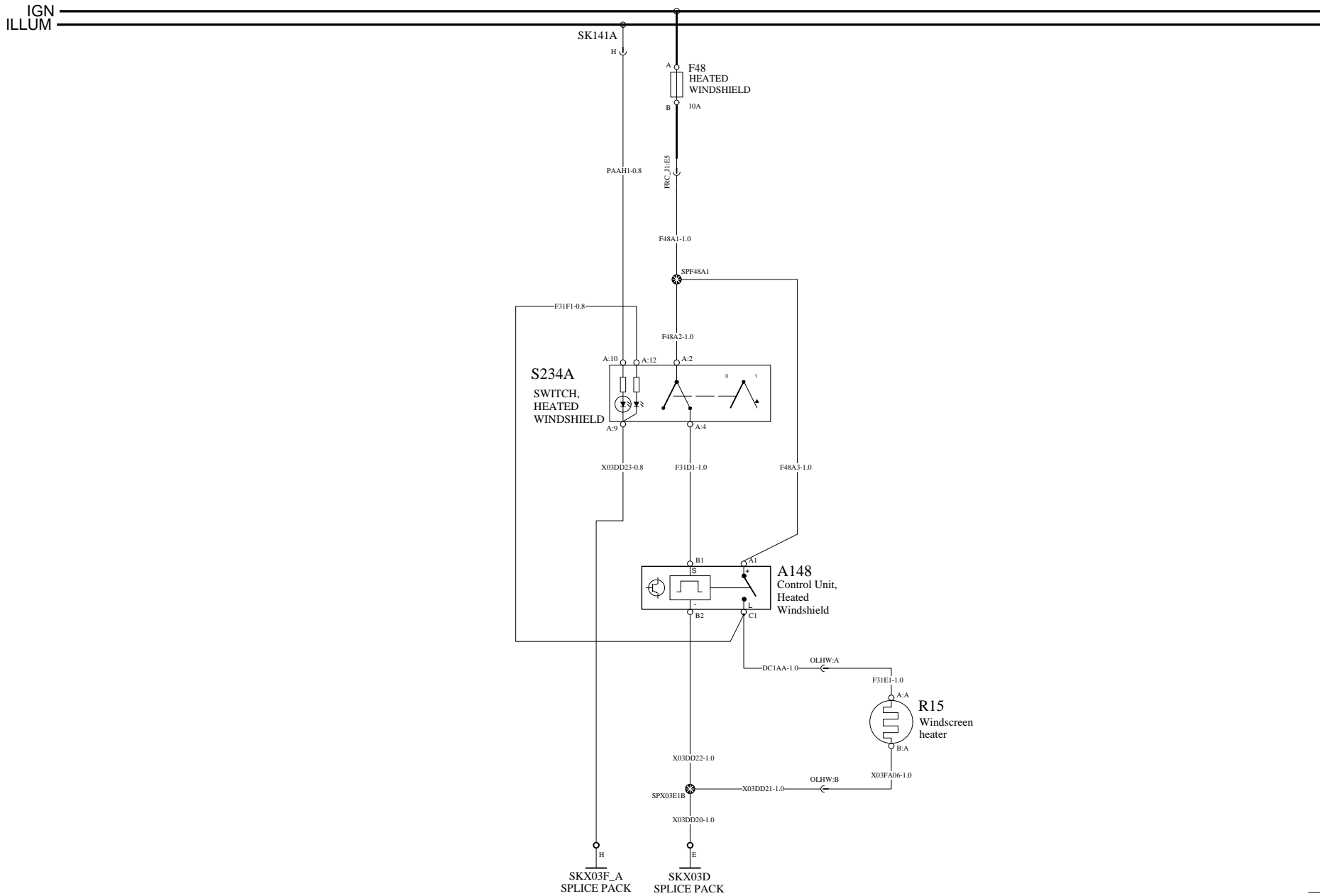
INTERIOR COURTESY LIGHTS

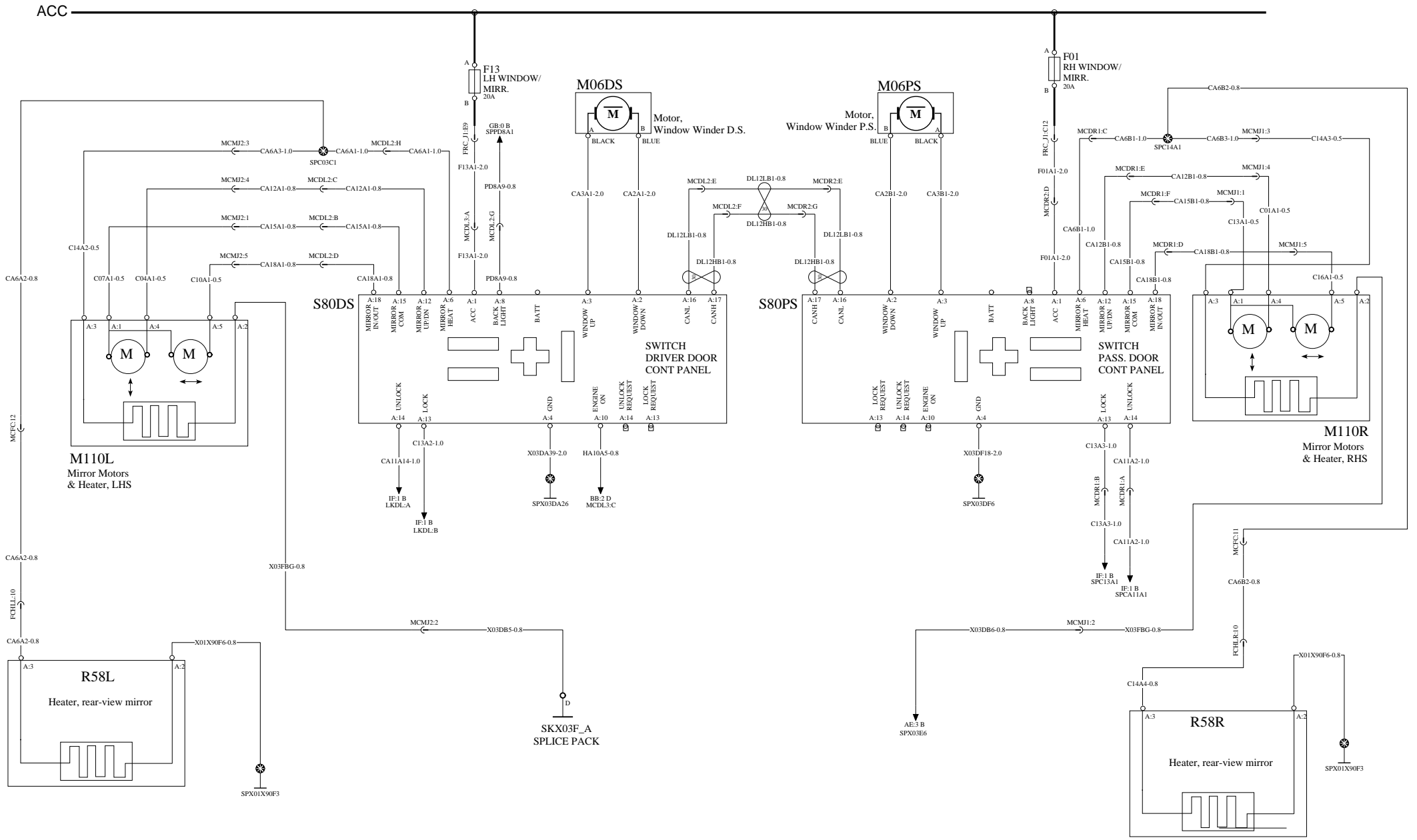
WIRING DIAGRAM: IA



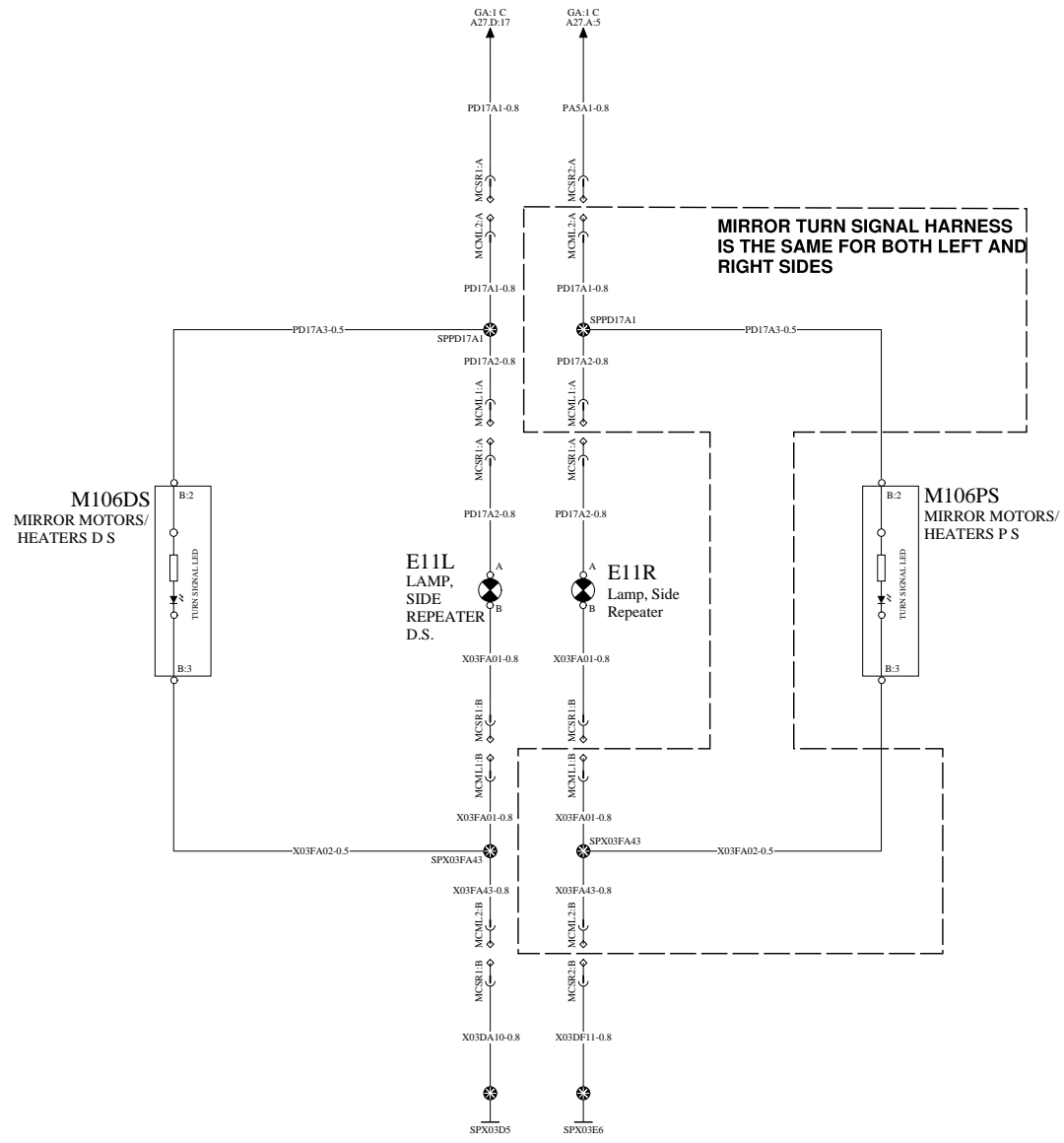
HEATED WINDSHIELD

WIRING DIAGRAM: IB



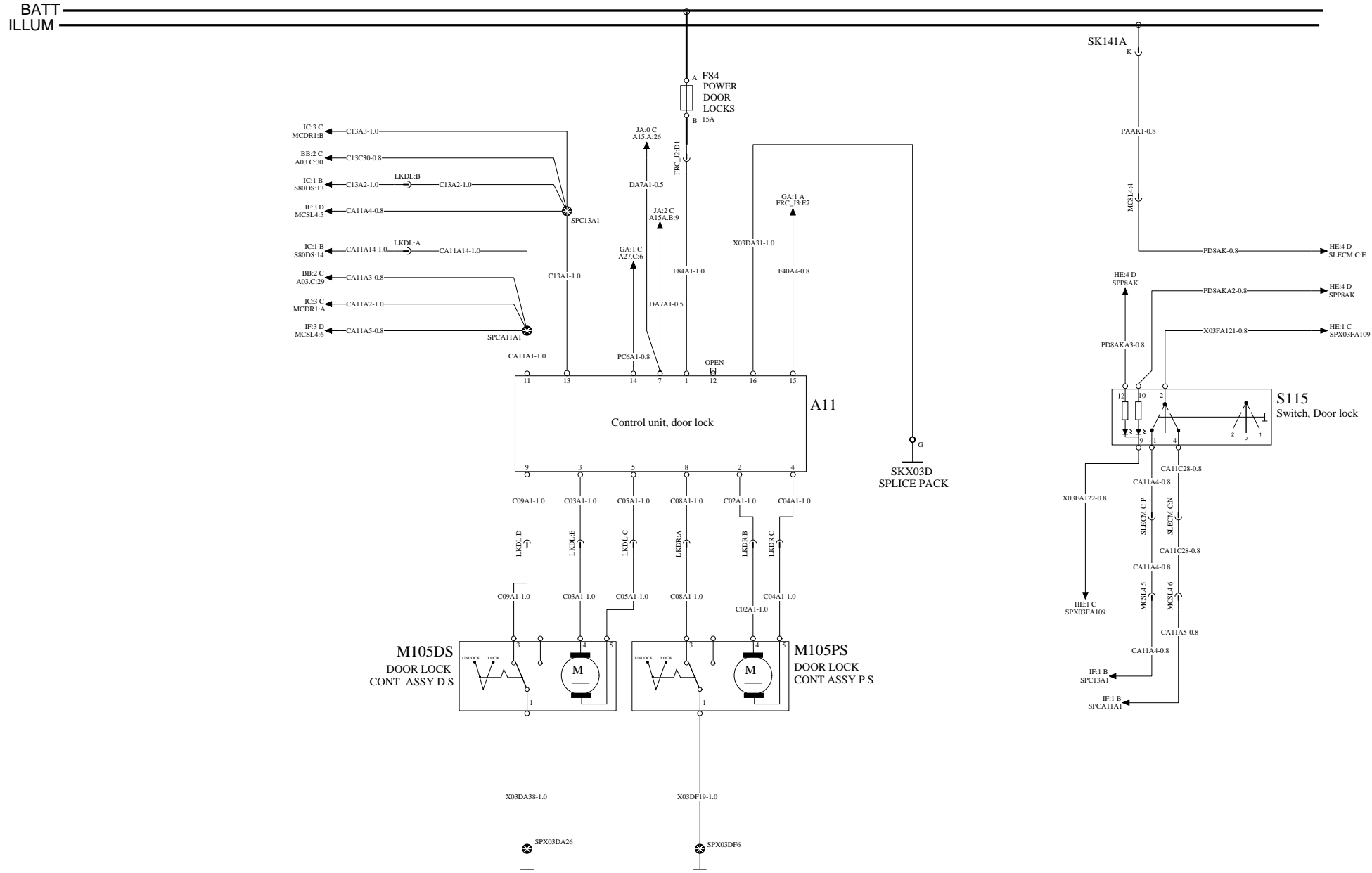






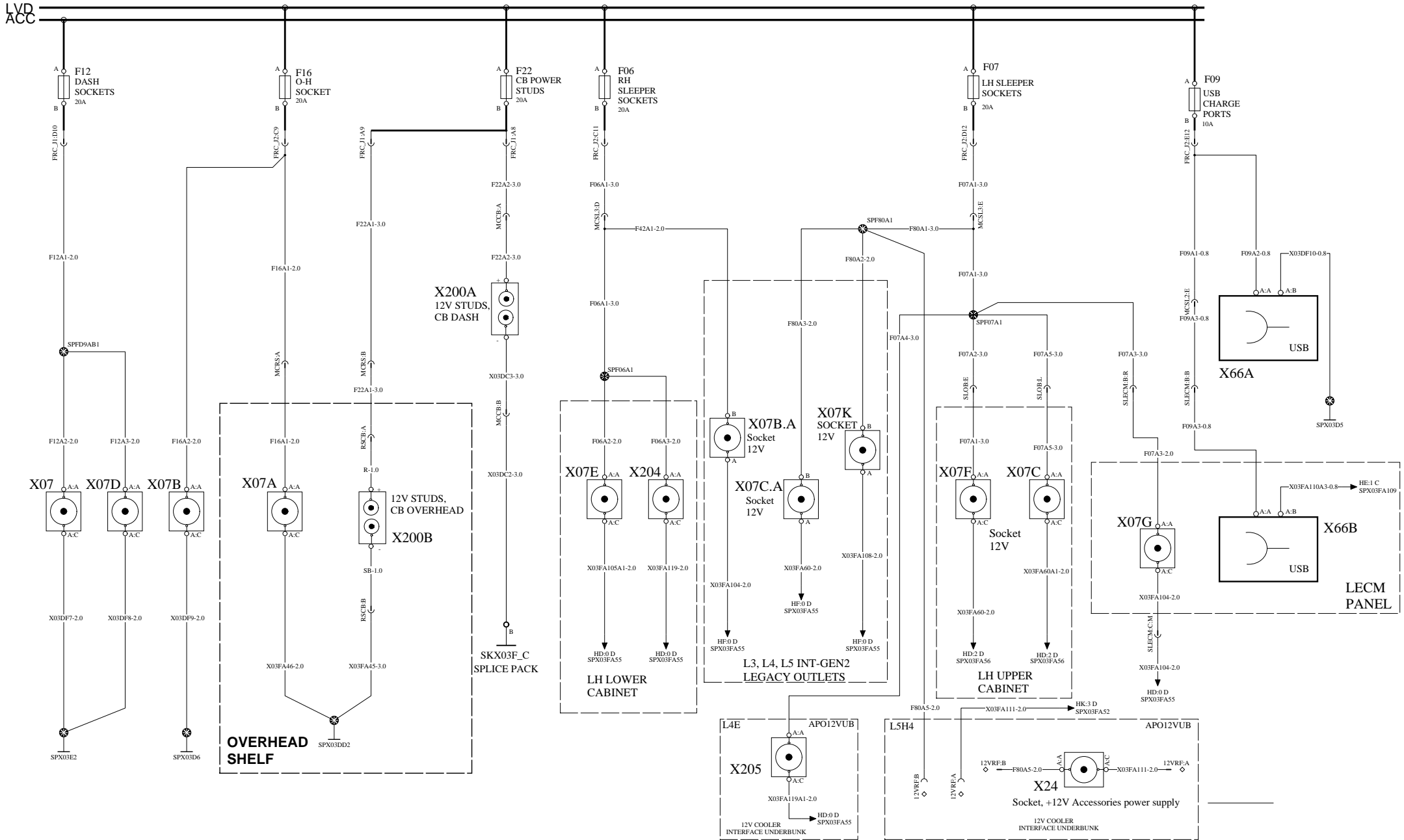
CENTRAL/ REMOTE DOOR LOCKING

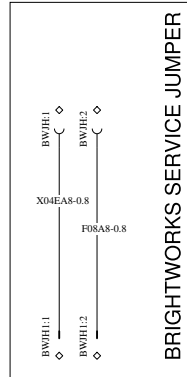
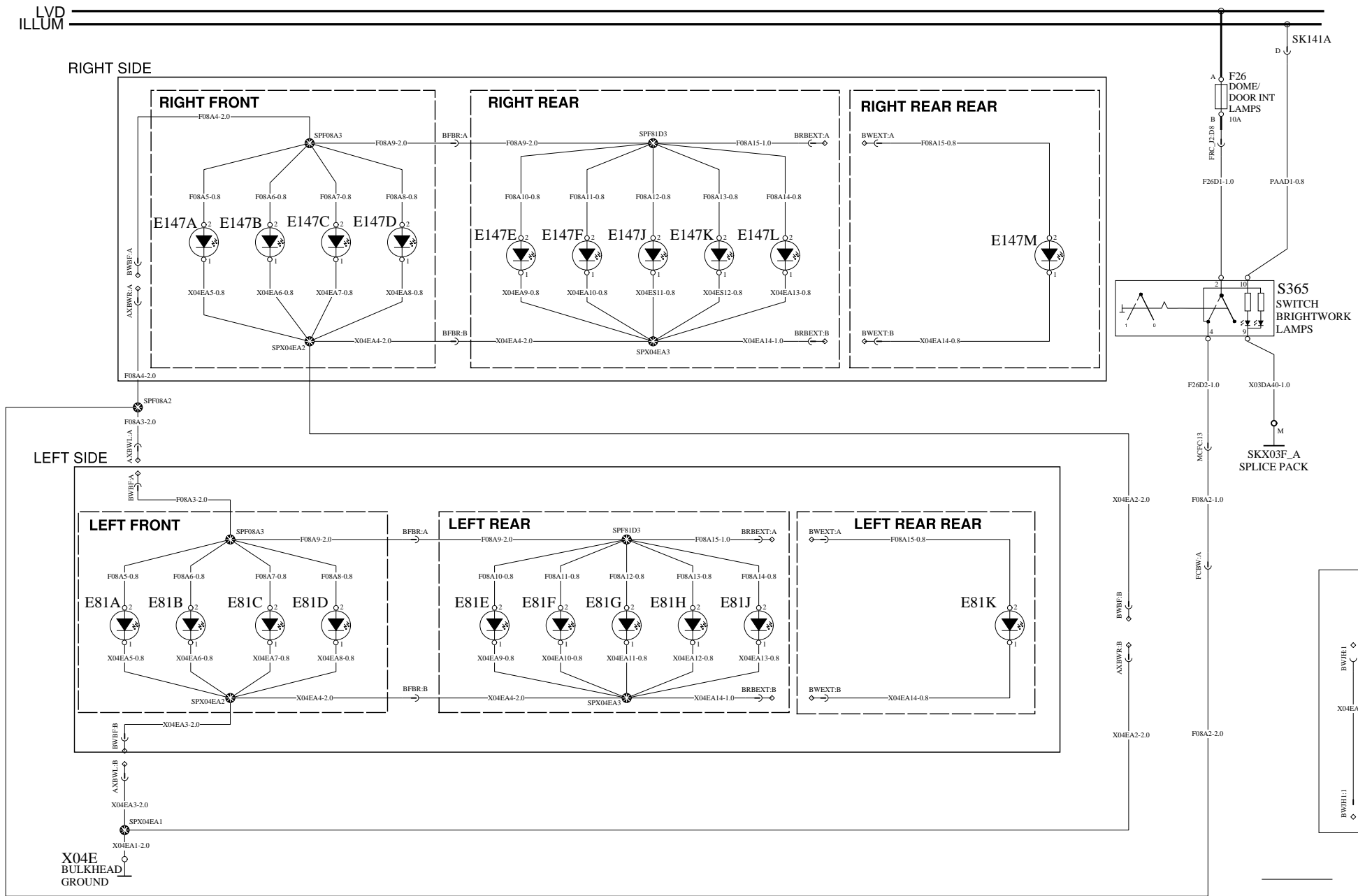
WIRING DIAGRAM: IF



CIGAR LIGHTER/ AUX POWER (DASH RADIO SHELF)

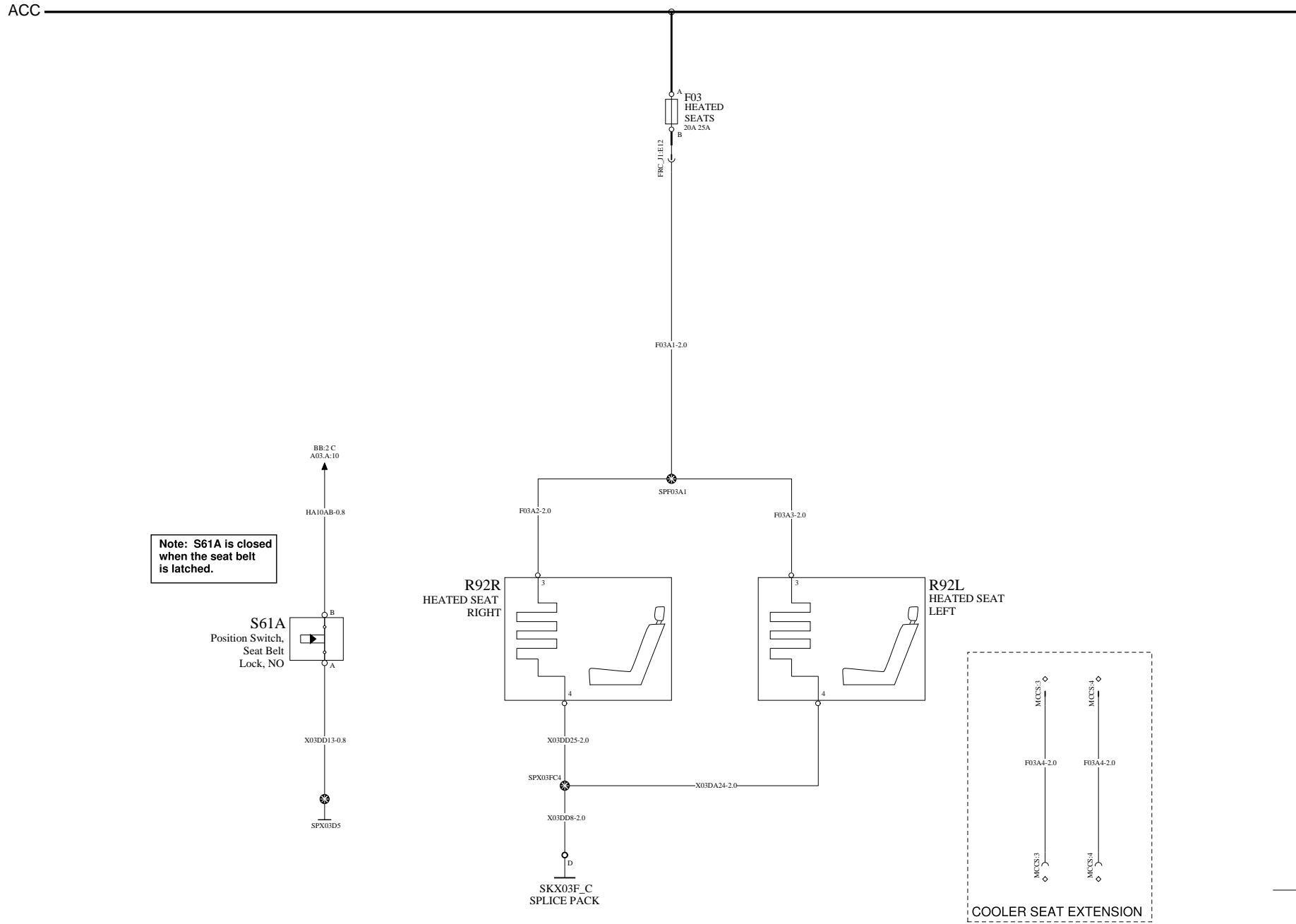
WIRING DIAGRAM: IG



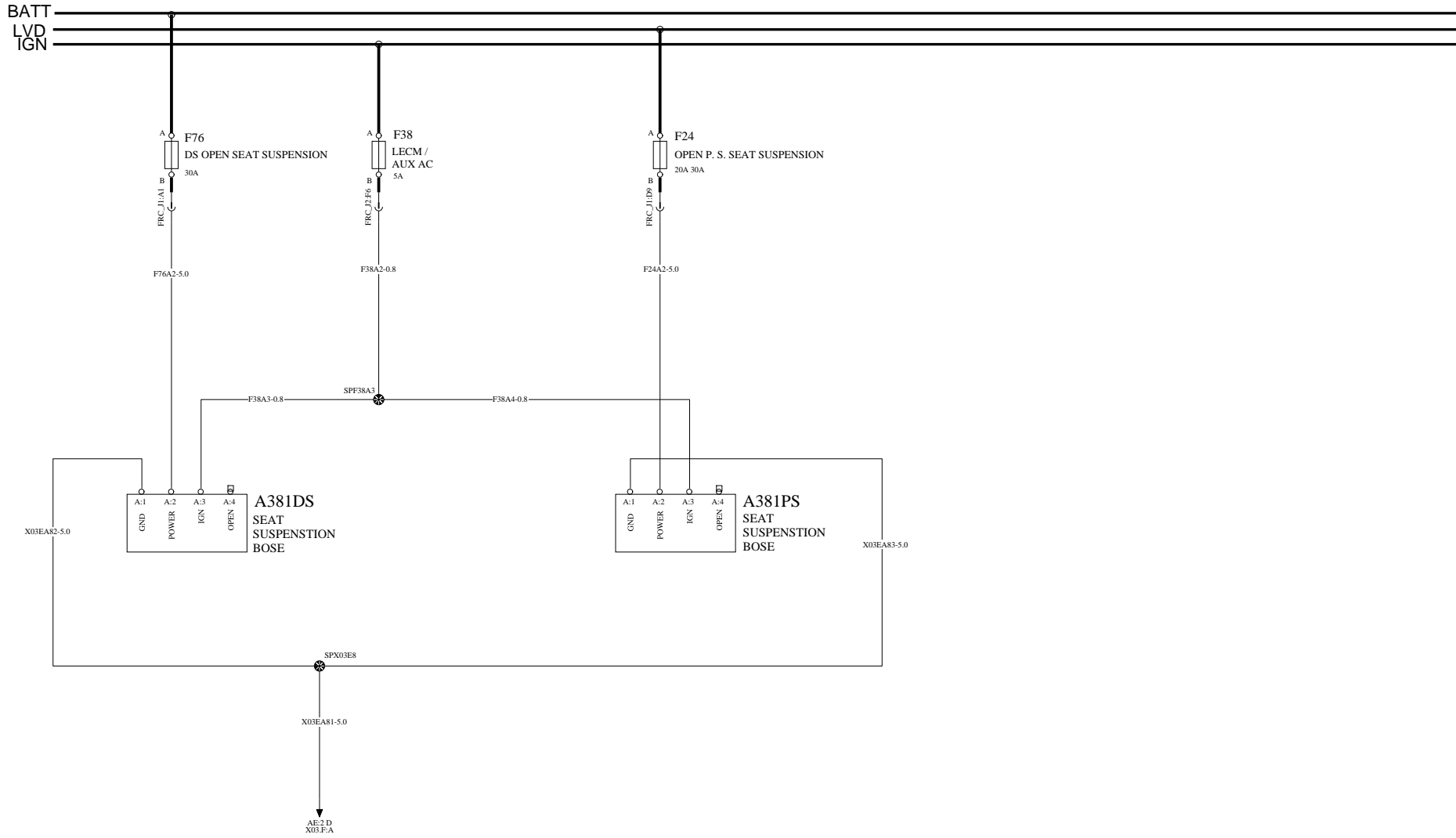


SEAT BELTS, HEATED SEATS

WIRING DIAGRAM: IR

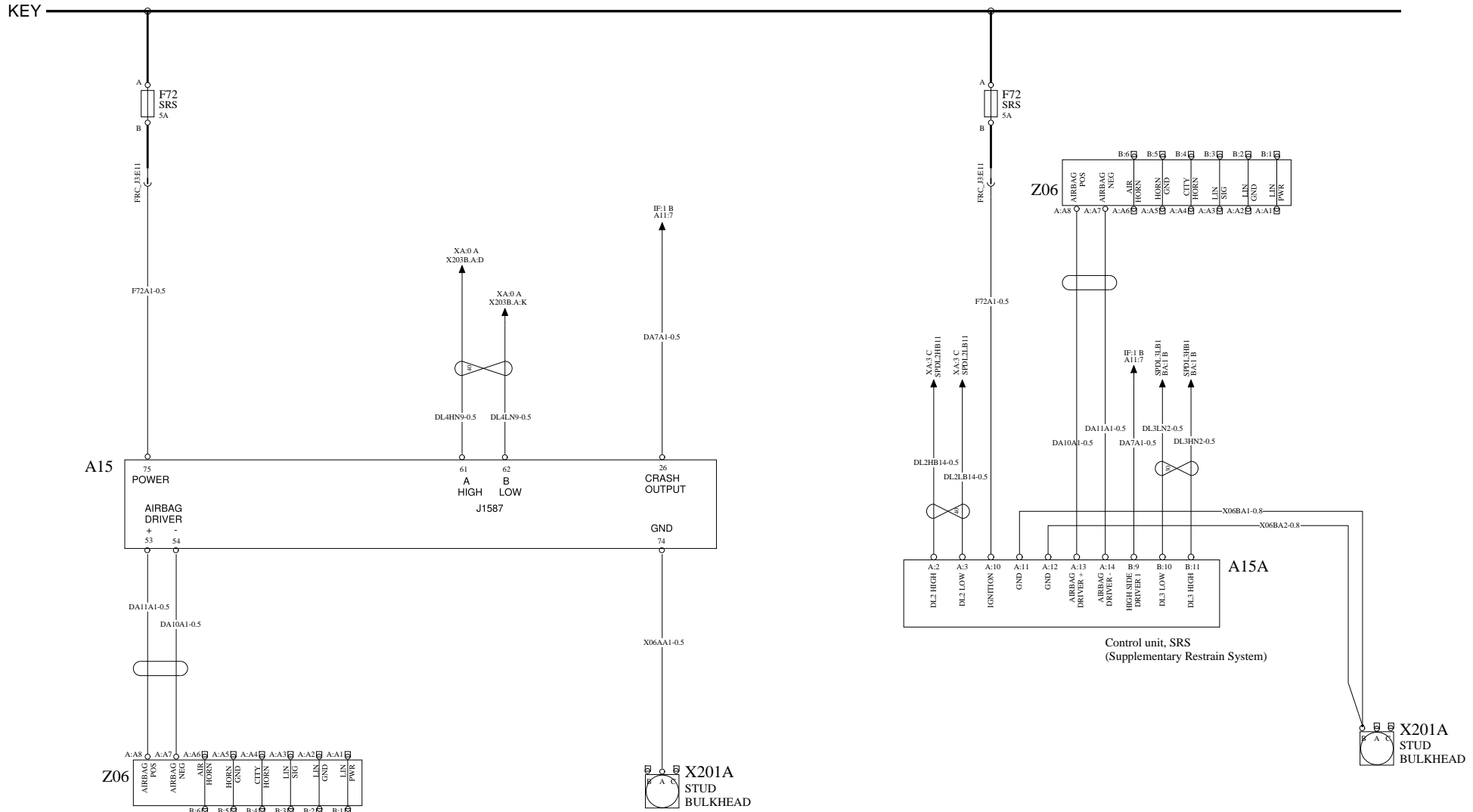


Note: S61A is closed when the seat belt is latched.

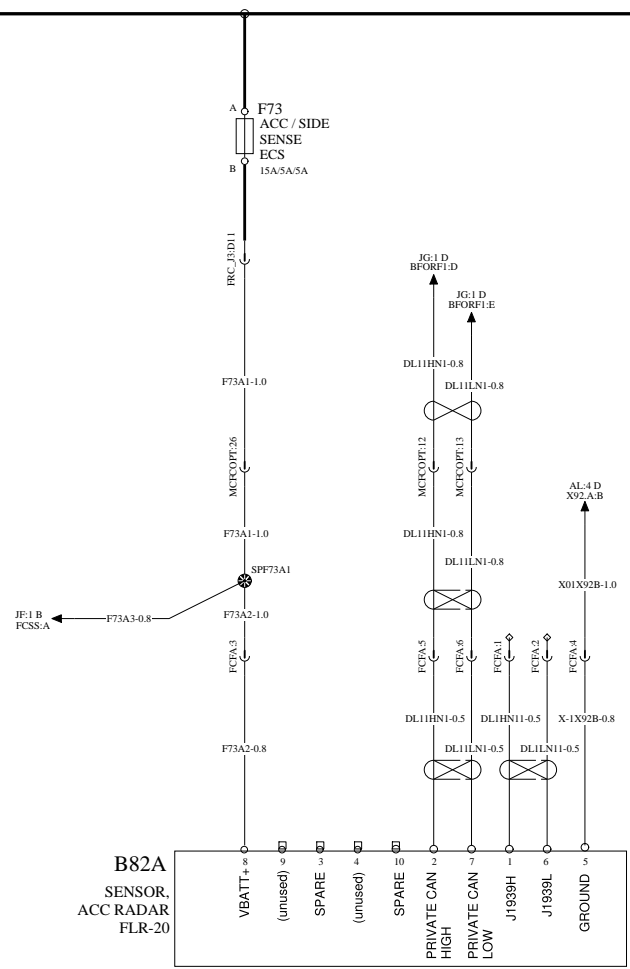


SRS AIRBAG CONTROL

WIRING DIAGRAM: JA

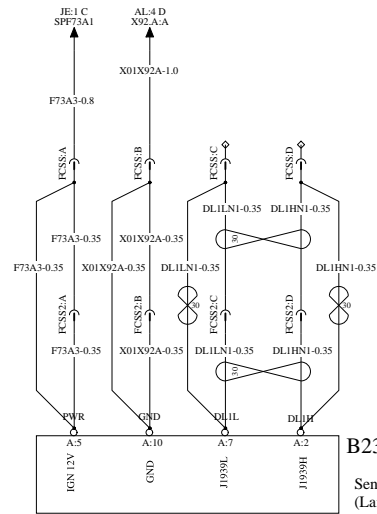


KEY \_\_\_\_\_



FLR-20 RADAR



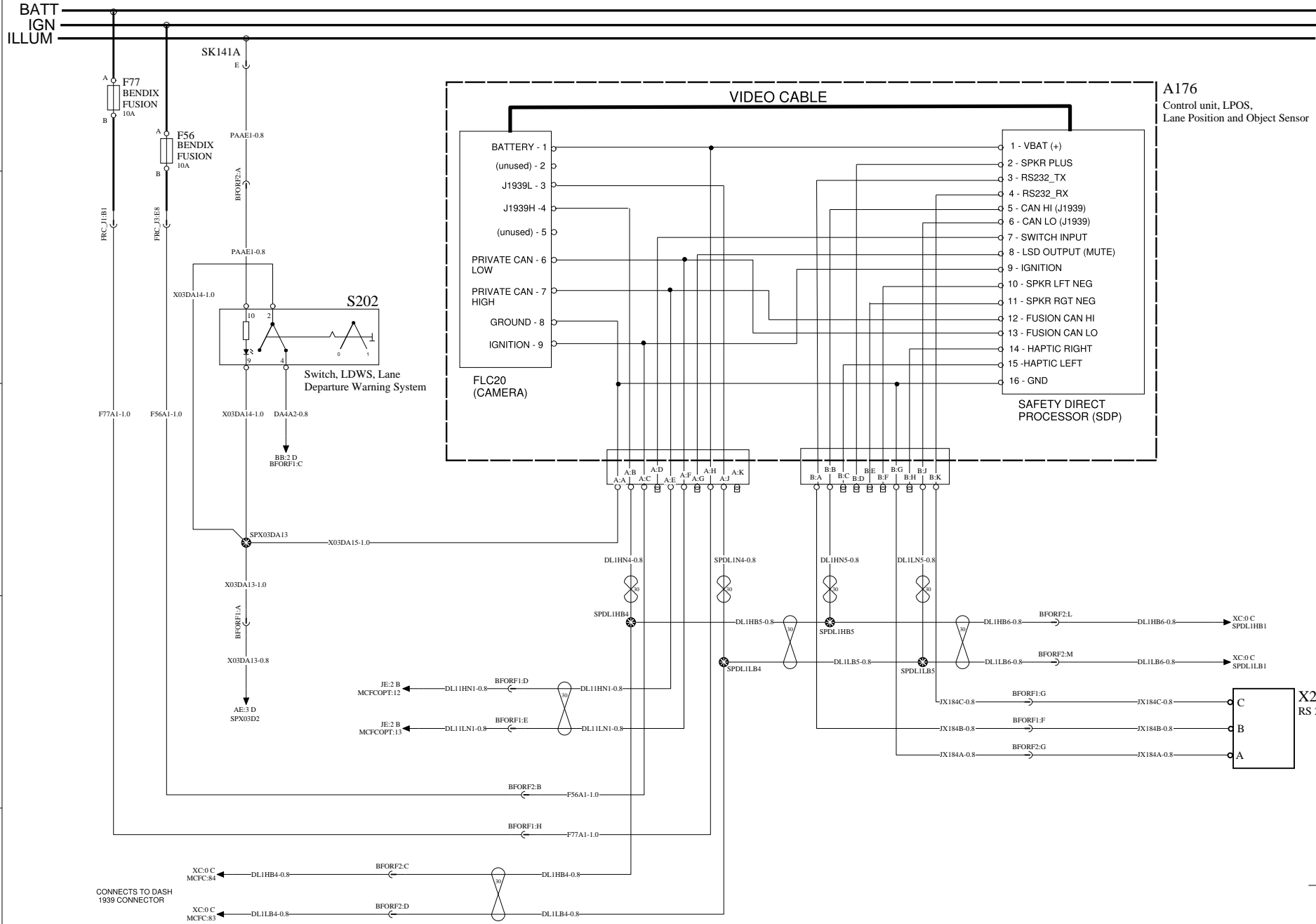


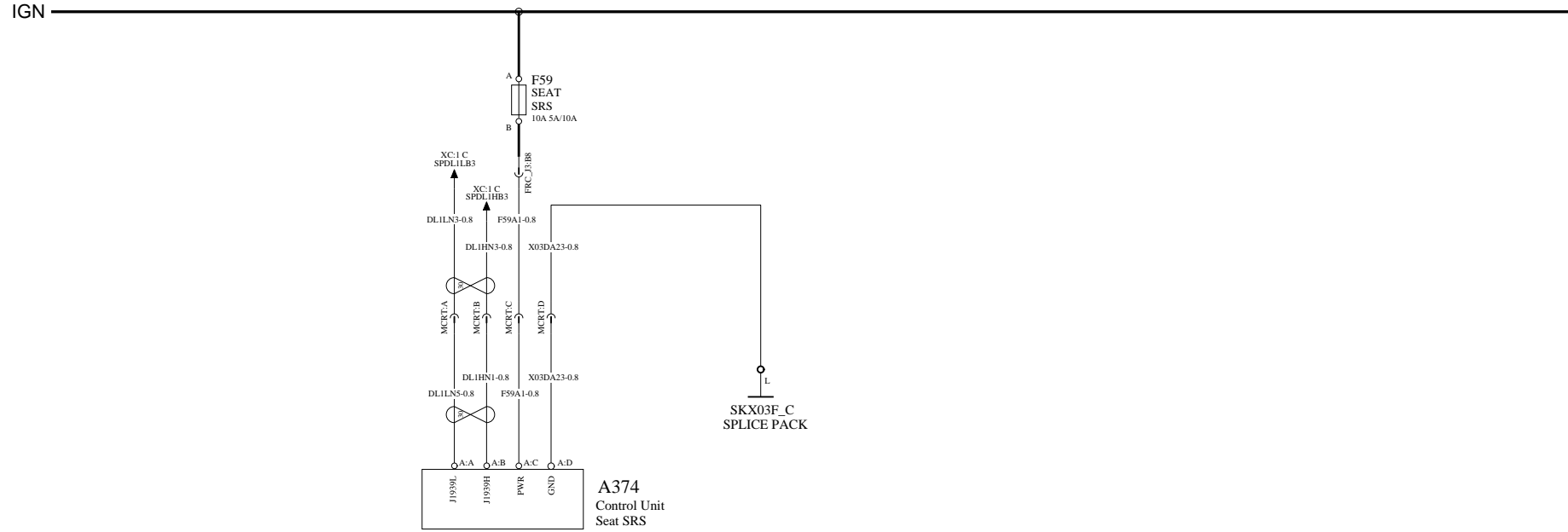
**B235**  
Sensor, LCS  
(Lane Change Support with Farings)

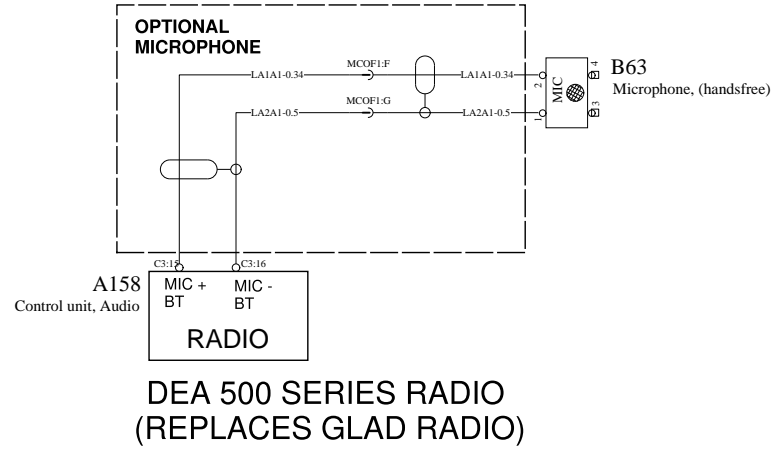
**SIDE RADAR  
WITH FARINGS**

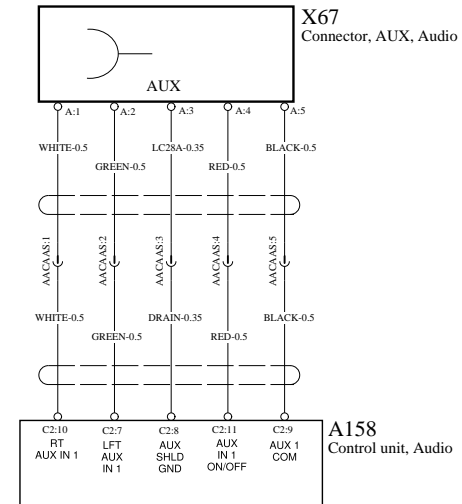
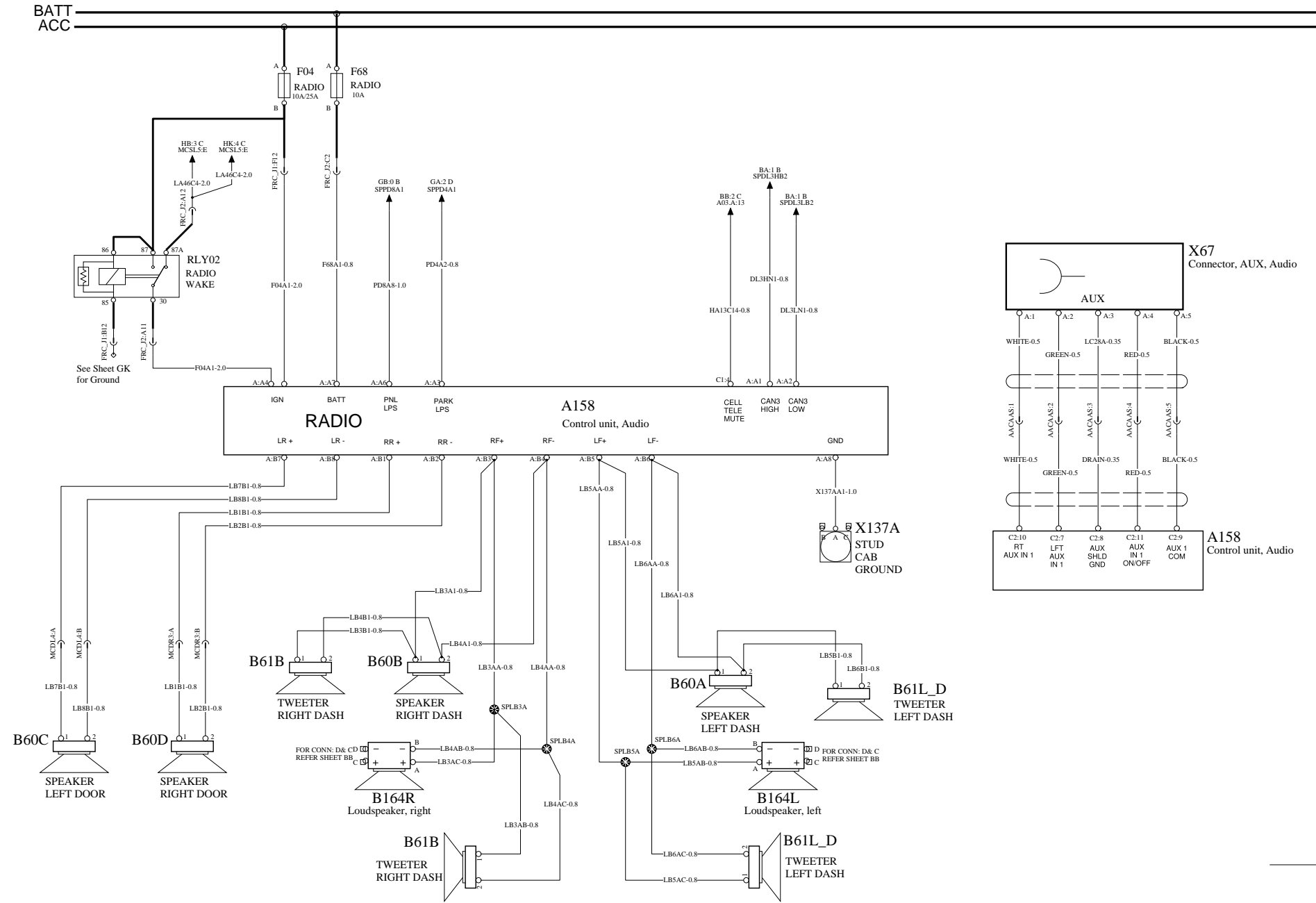
# LANE DEPARTURE WARNING SYSTEM

# WIRING DIAGRAM: JG

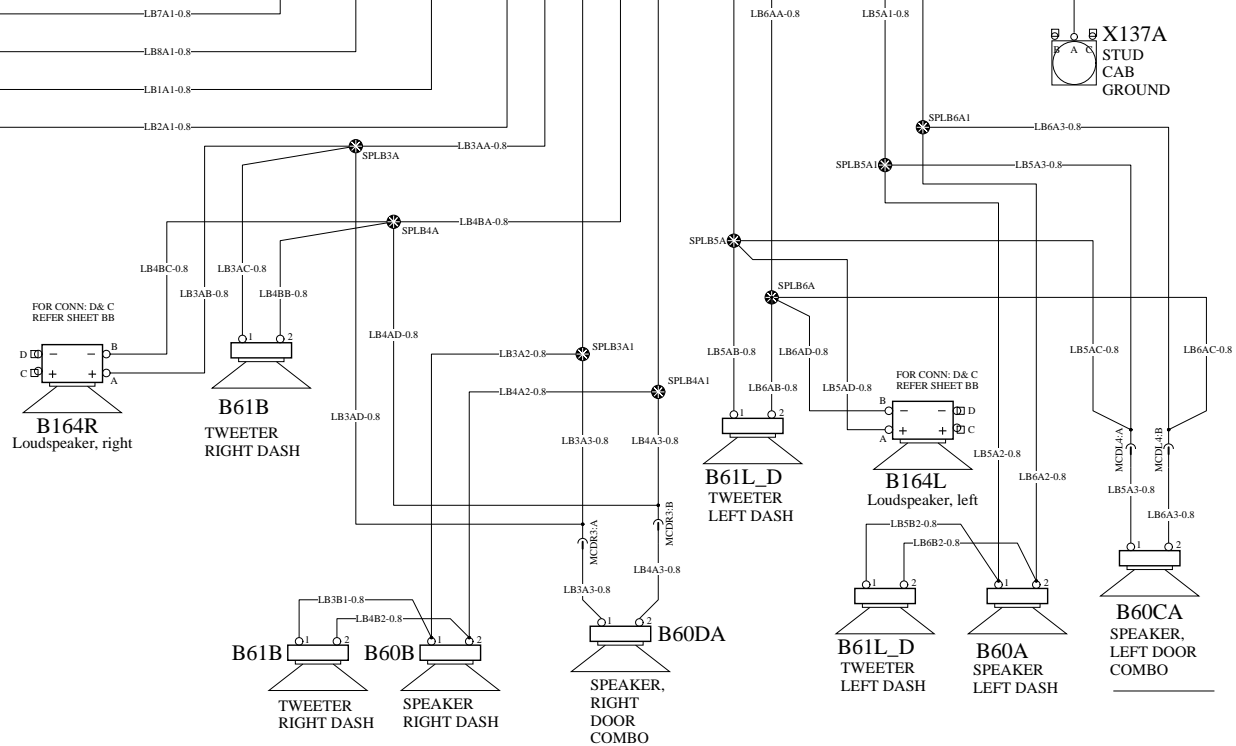
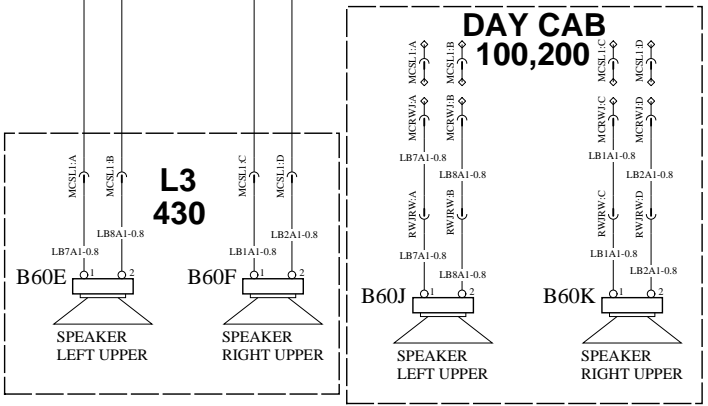
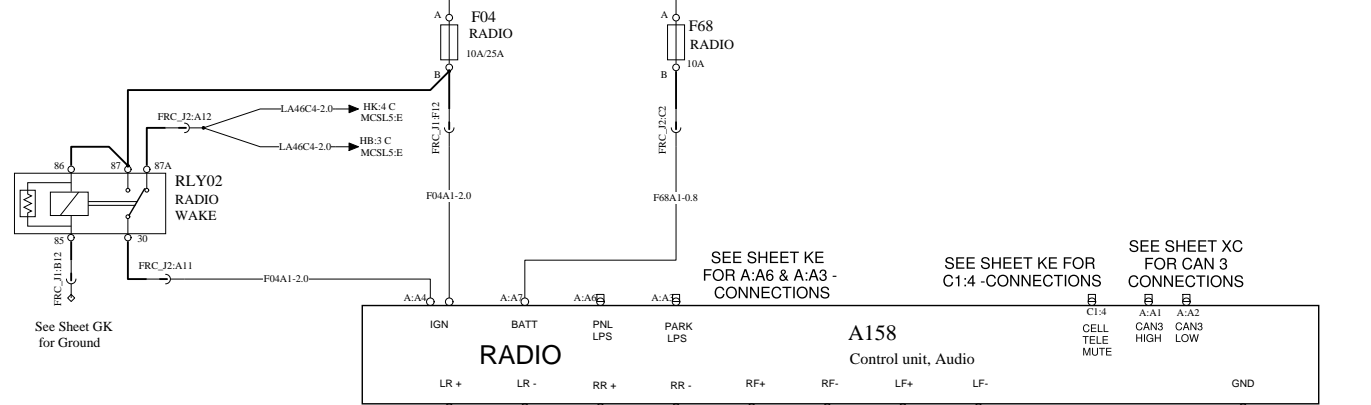
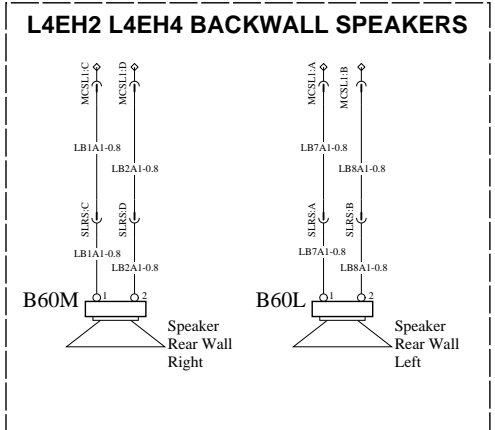








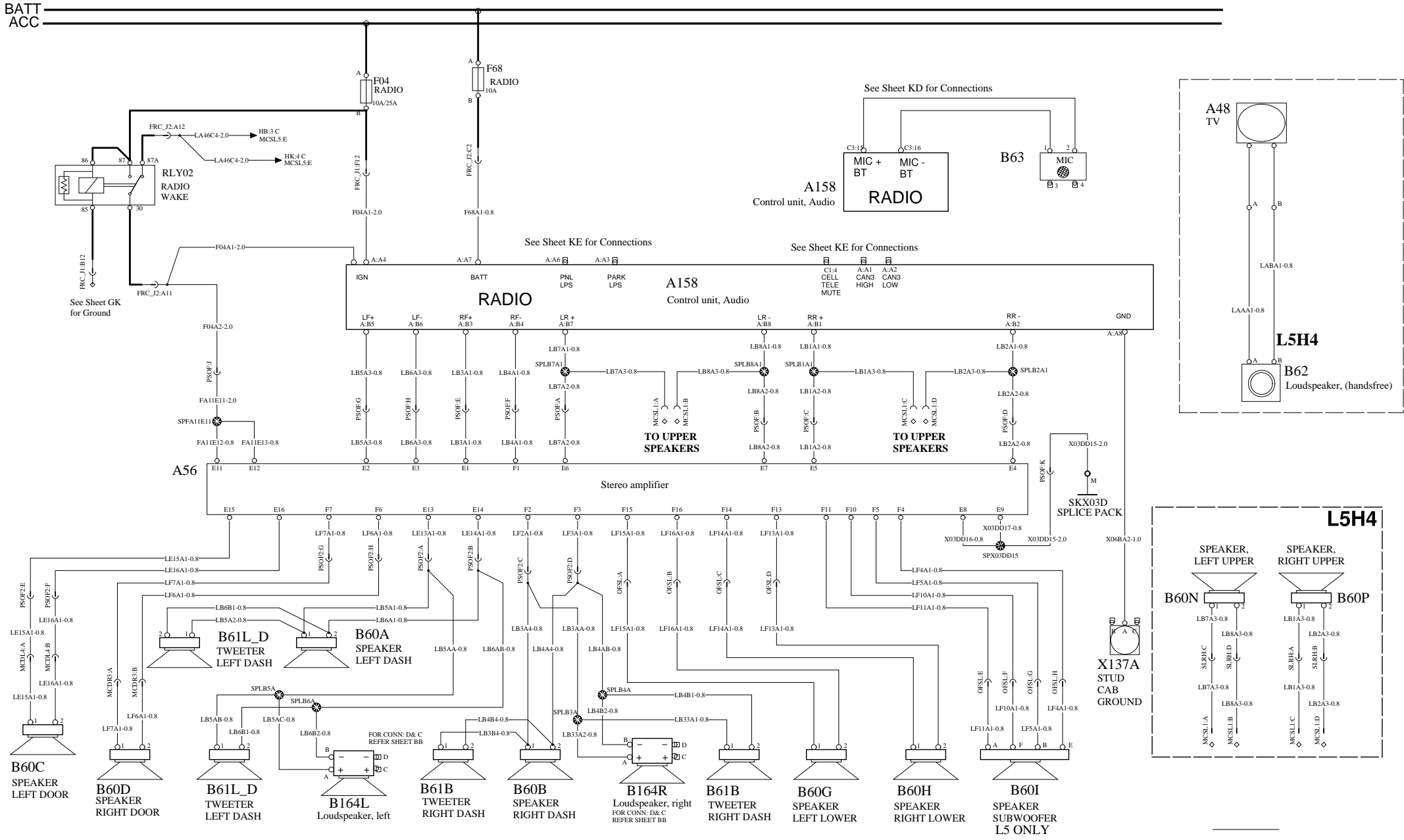
BATT  
ACC



Document title 12V VOLVO CONVENTIONAL	Document No 22622040	Issue 05	Volume 1 (2)	Page 98 (118)
Document type PRODUCT SCHEMATIC				

AUDIO SYSTEM- DEA 500 SERIES RADIO- 6 SPEAKER W/SUB, TV PREP

WIRING DIAGRAM: KG

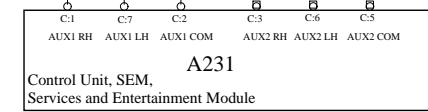
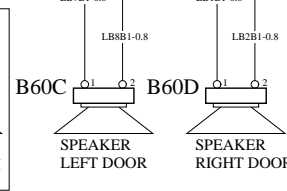
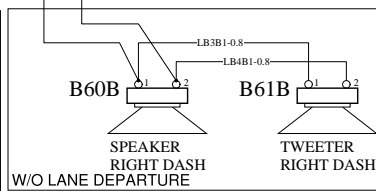
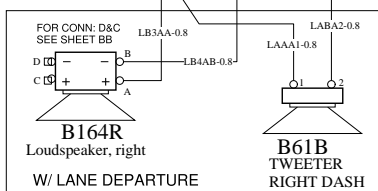
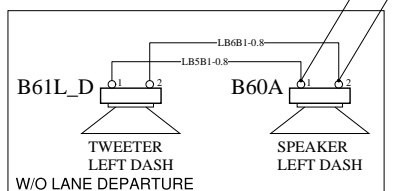
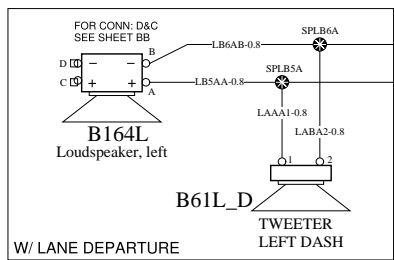
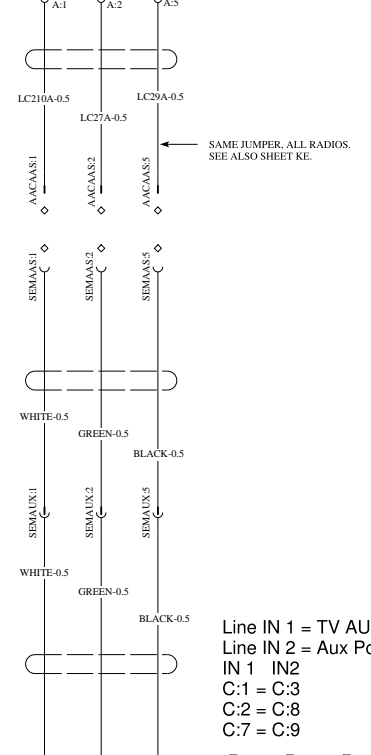
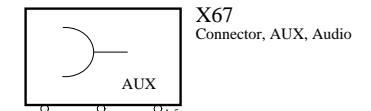
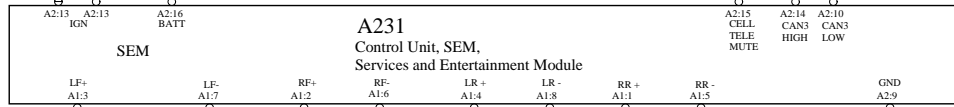
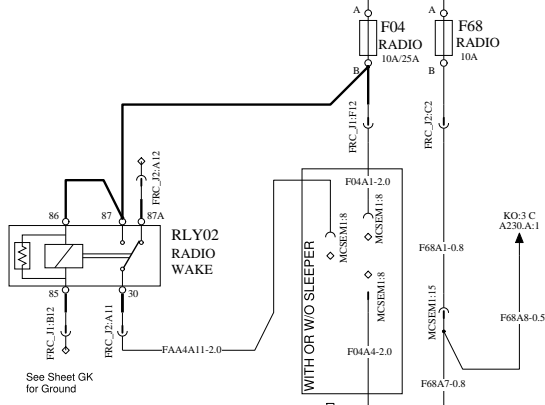


<p><b>VOLVO</b> Group Trucks Technology</p>	<p>Document title 12V VOLVO CONVENTIONAL</p>	<p>Document No 22622040</p>	<p>Issue 05</p>	<p>Volume 1 (2)</p>	<p>Page 99 (118)</p>
	<p>Document type PRODUCT SCHEMATIC</p>				

AUDIO SYSTEM: SEM 4-SPEAKER AND AUX INPUT

WIRING DIAGRAM: KL

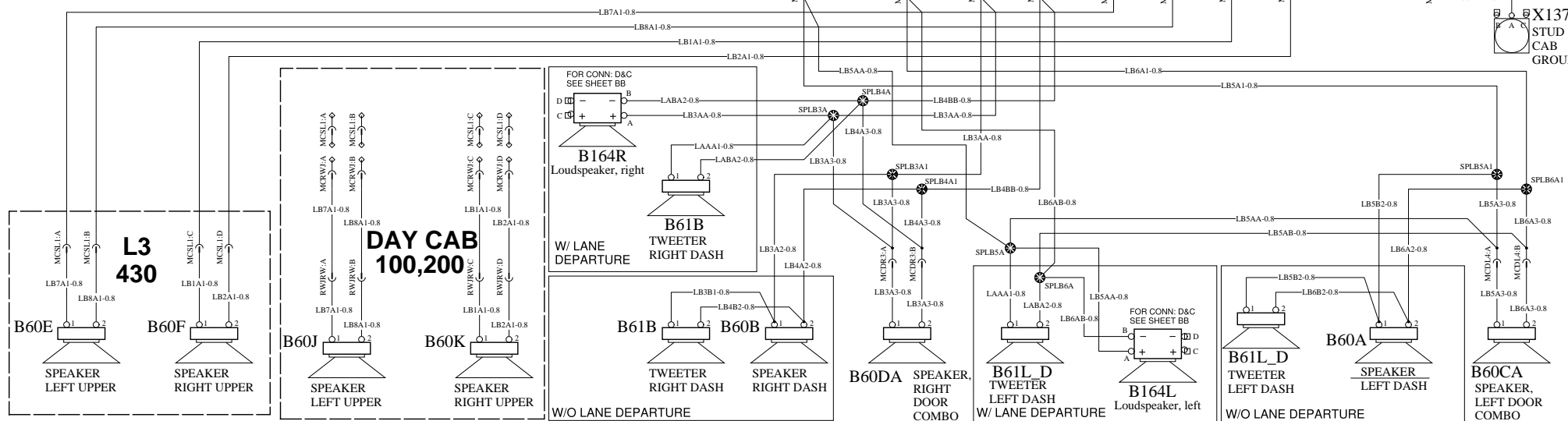
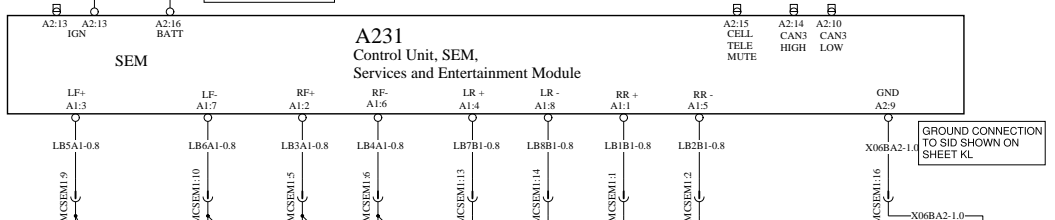
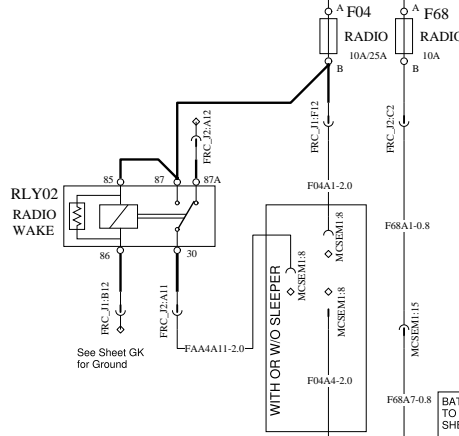
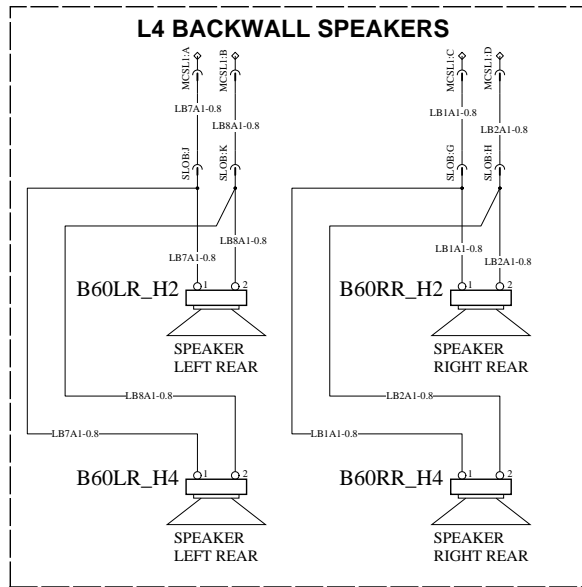
BATT  
ACC



Line IN 1 = TV AUX  
Line IN 2 = Aux Port  
IN 1 IN2  
C:1 = C:3  
C:2 = C:8  
C:7 = C:9



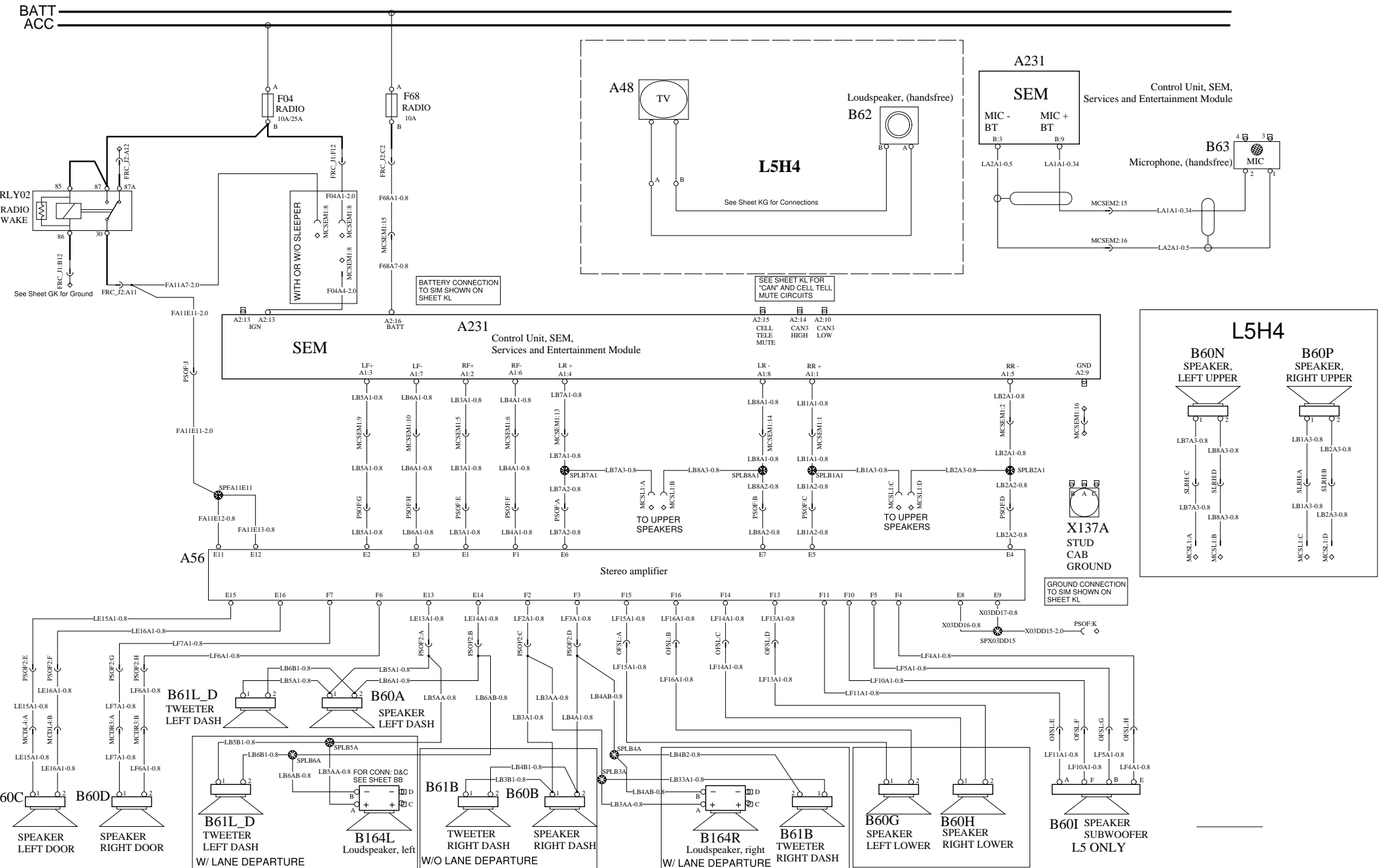
BATT  
ACC



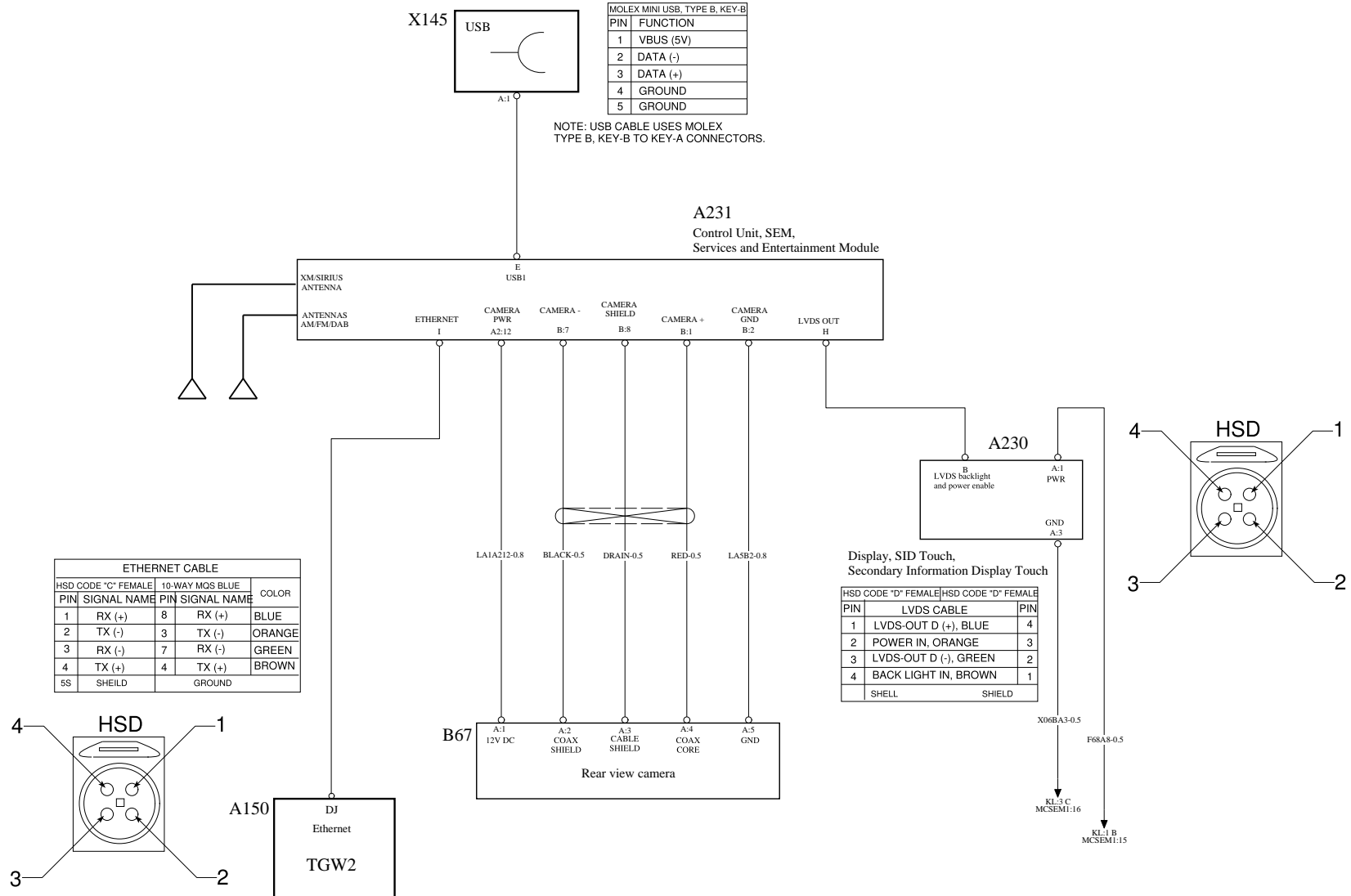
Document title 12V VOLVO CONVENTIONAL	Document No 22622040	Issue 05	Volume 1 (2)	Page 101 (118)
Document type PRODUCT SCHEMATIC				

SEM AUDIO UNIT

WIRING DIAGRAM: KN

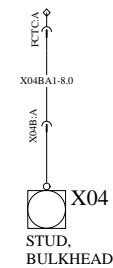
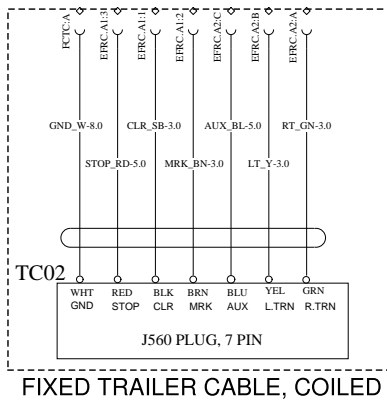
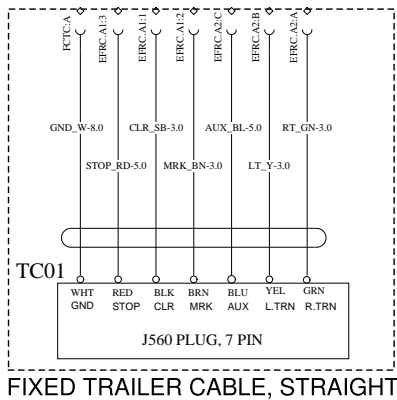
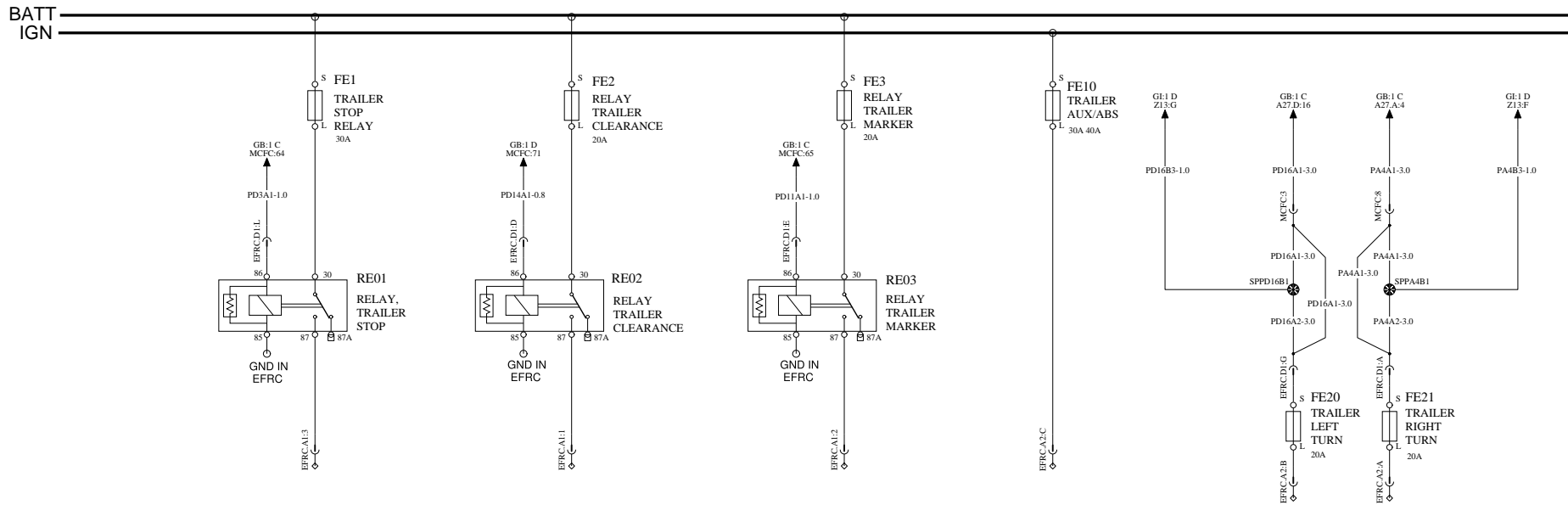


	Group Trucks Technology	Document title 12V VOLVO CONVENTIONAL	Document No 22622040	Issue 05	Volume 1 (2)	Page 102 (118)
		Document type PRODUCT SCHEMATIC				

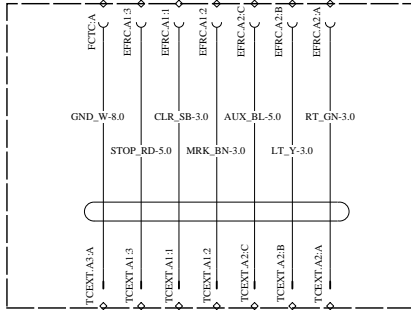


TRAILER CABLE

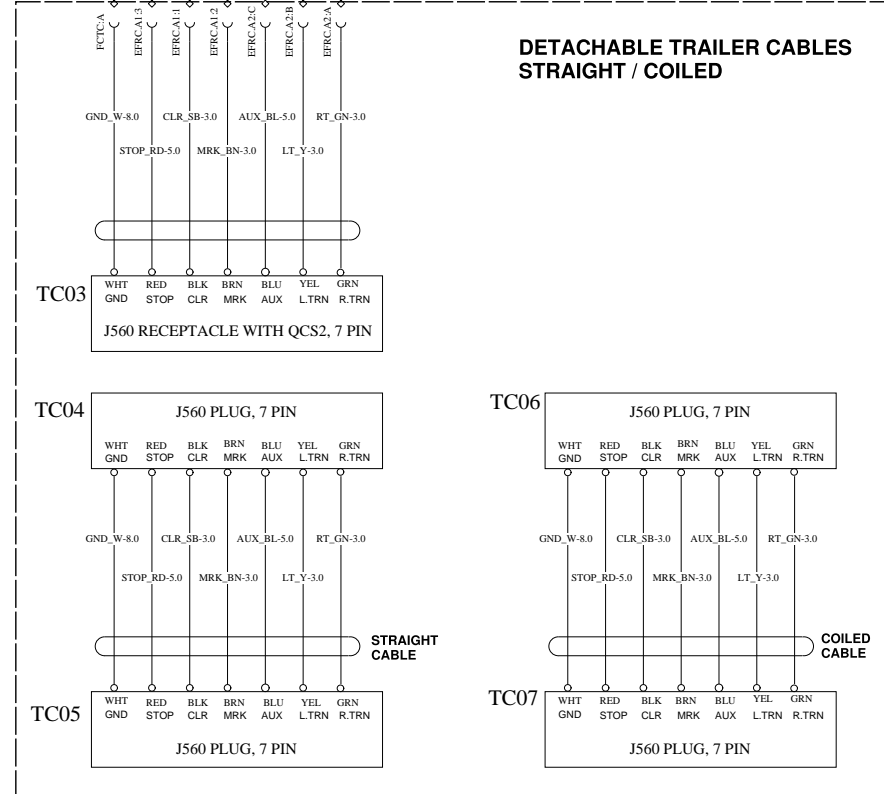
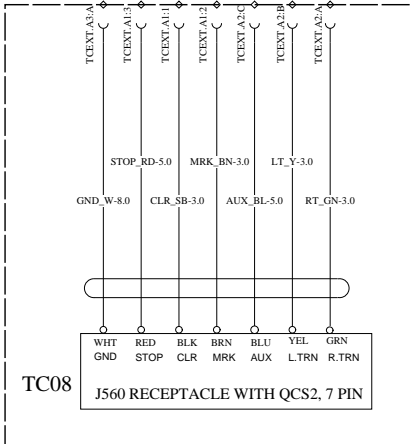
WIRING DIAGRAM: MA



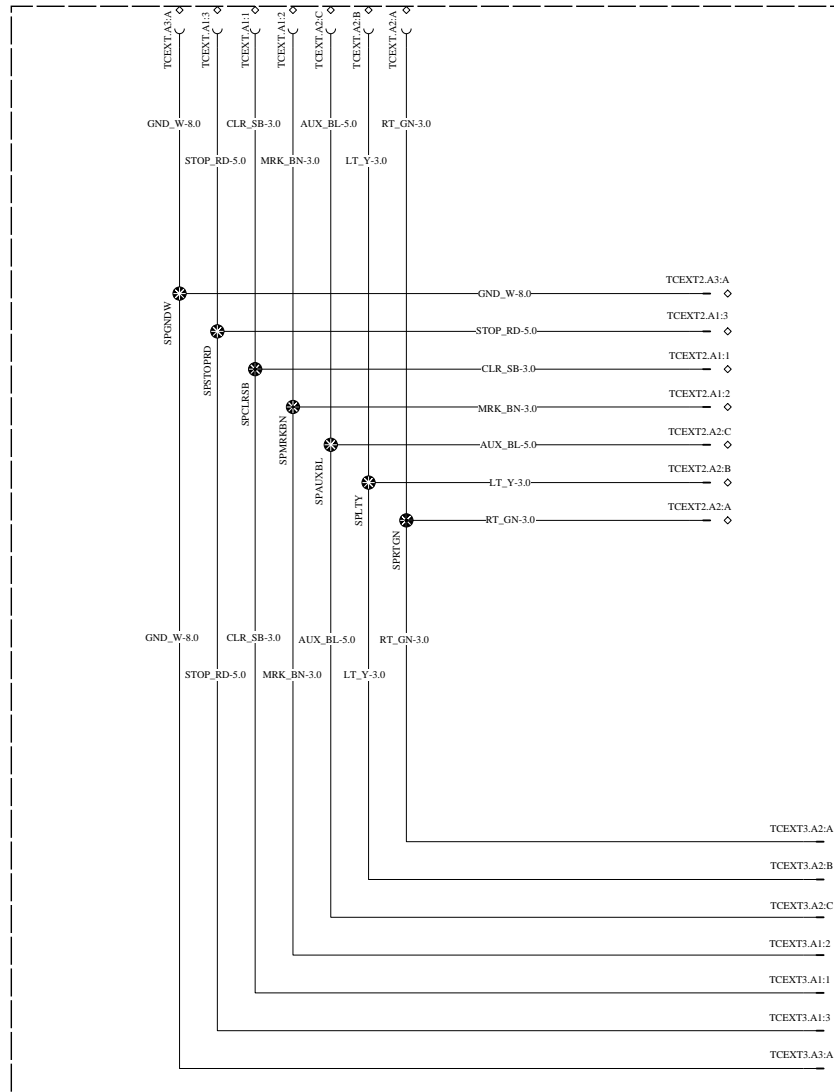
**TRAILER CABLE EXTENSION CABLE**



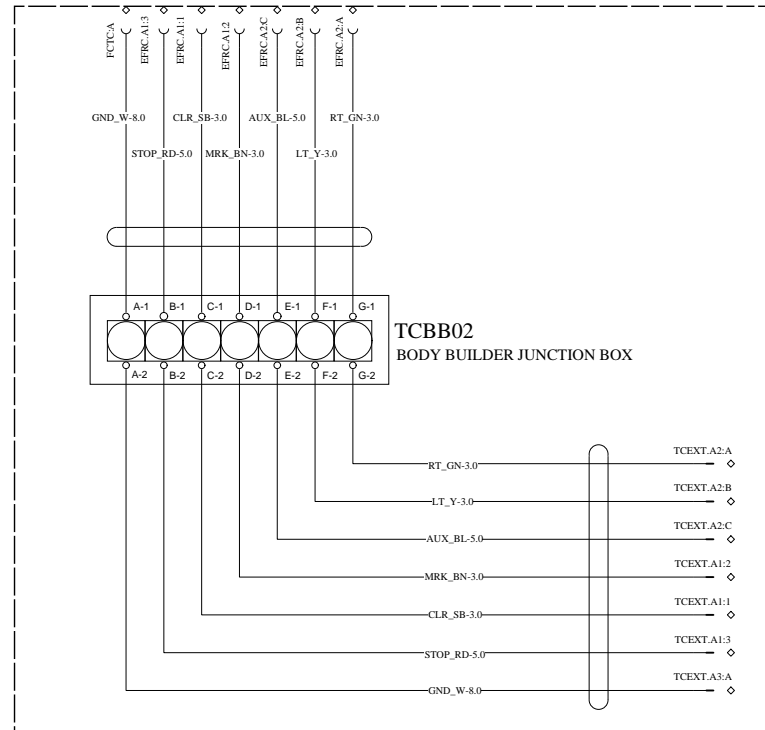
**TRAILER CABLE EOF RECEPTACLE**



**TRAILER CABLE BODY BUILDER  
WYE END OPTION**

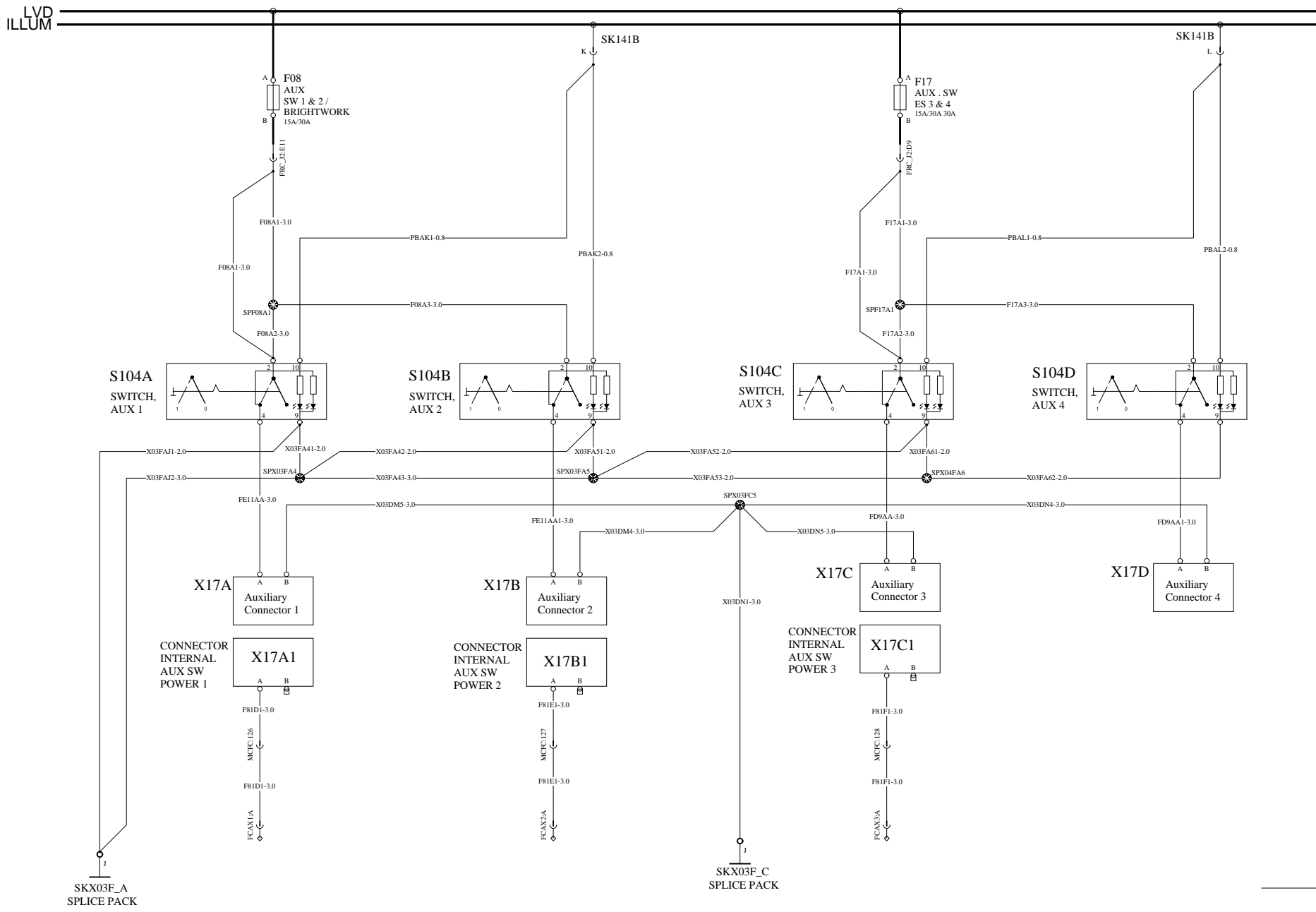


**TRAILER CABLE BODY BUILDER BOX  
SINGLE / DUAL CABLES**

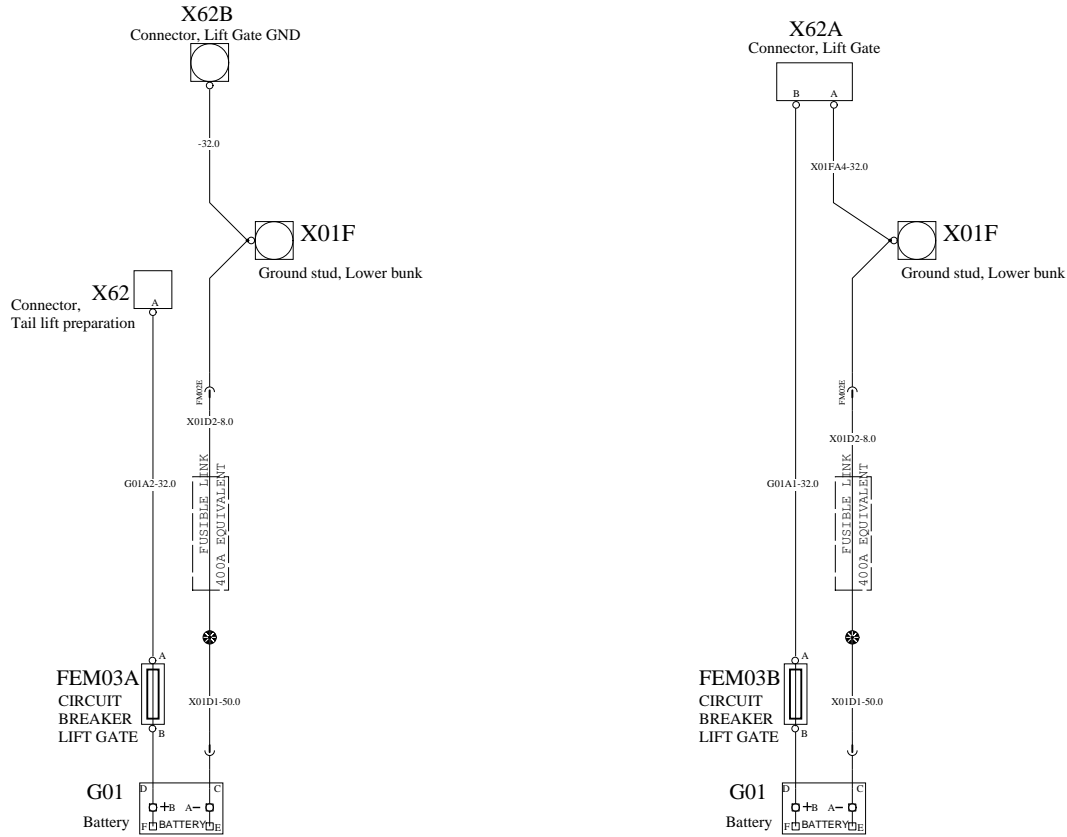


AUXILIARY SWITCHES

WIRING DIAGRAM: NA



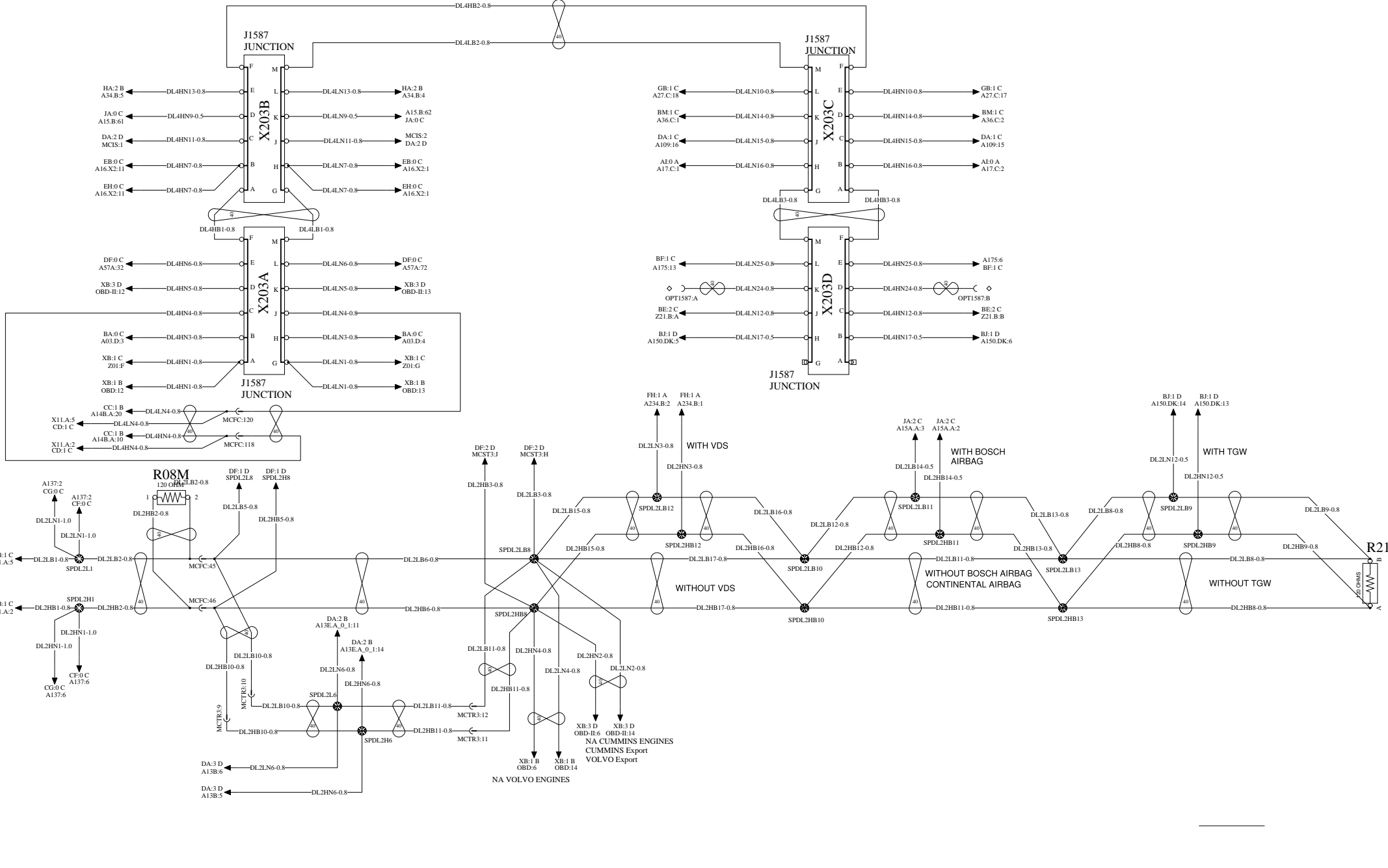
LVD  
ILLUM





DIAGNOSTICS DL4- J1587 & DL2- J2284

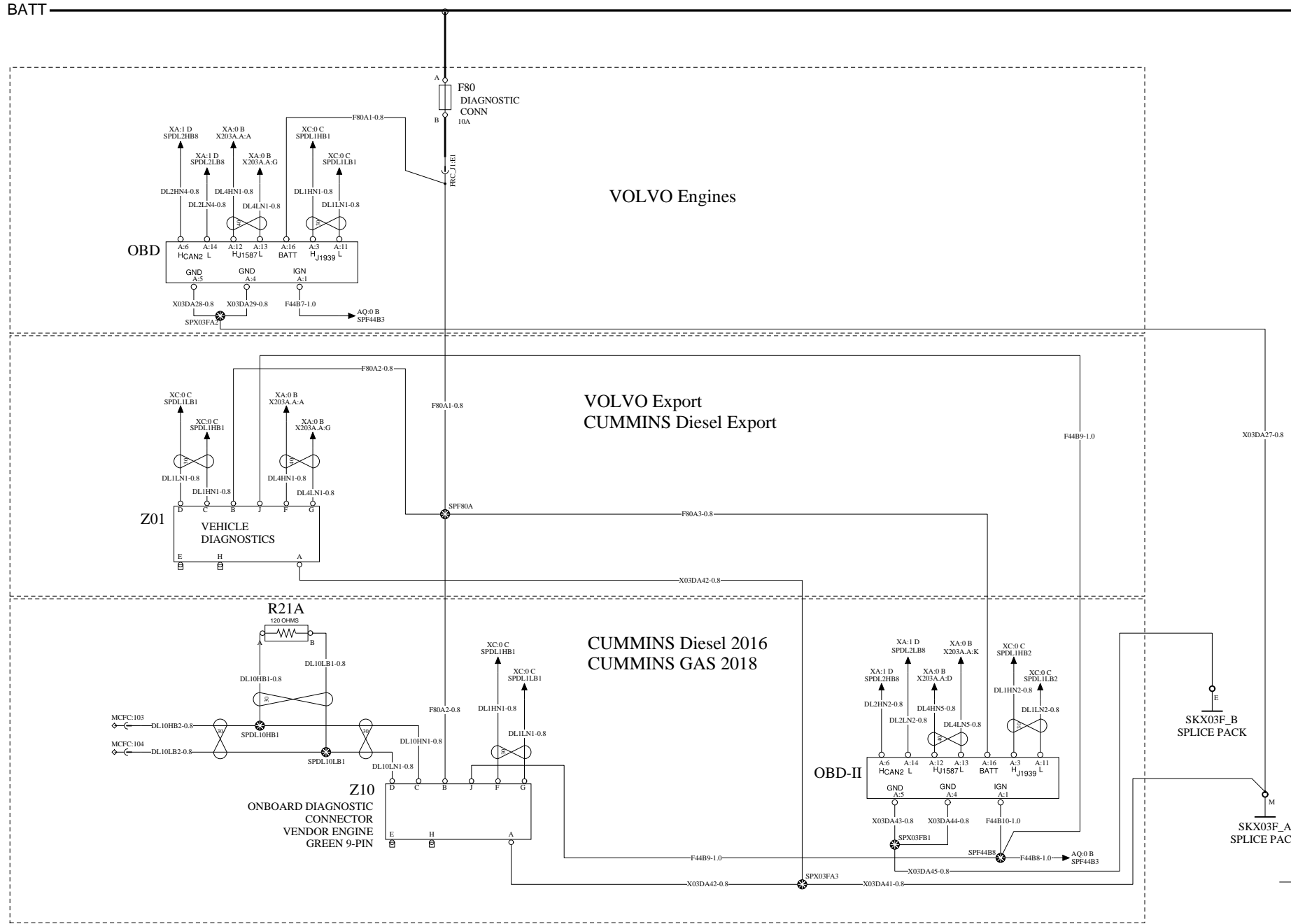
WIRING DIAGRAM: XA

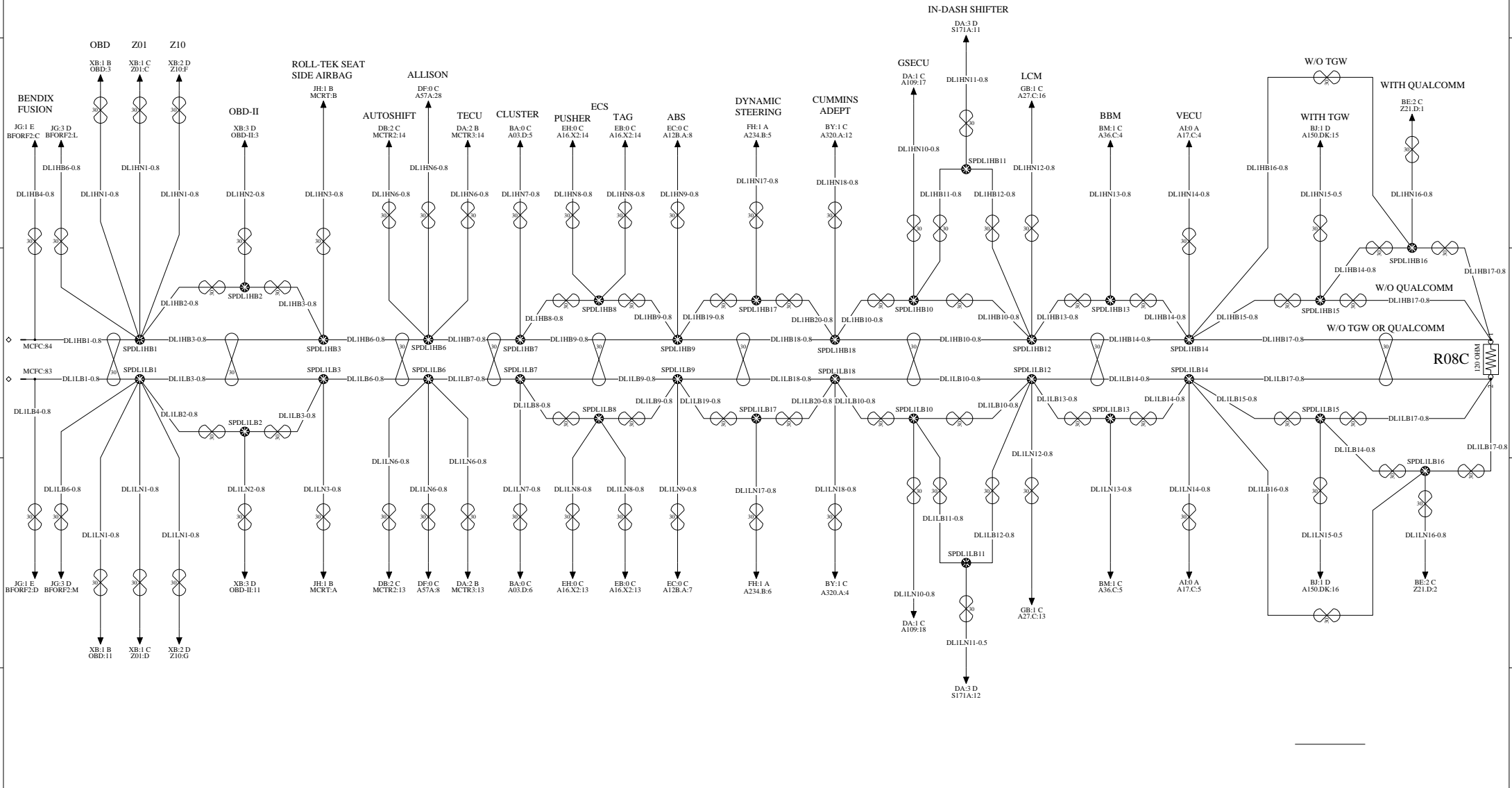


Document title	12V VOLVO CONVENTIONAL	Document No	22622040	Issue	05	Volume	1 (2)	Page	109 (118)
Document type	PRODUCT SCHEMATIC								

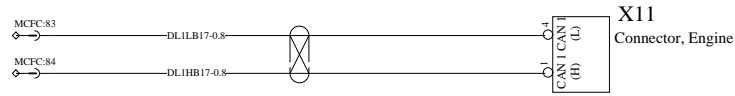
DIAGNOSTIC CONNECTOR SCENARIOS

WIRING DIAGRAM: XB

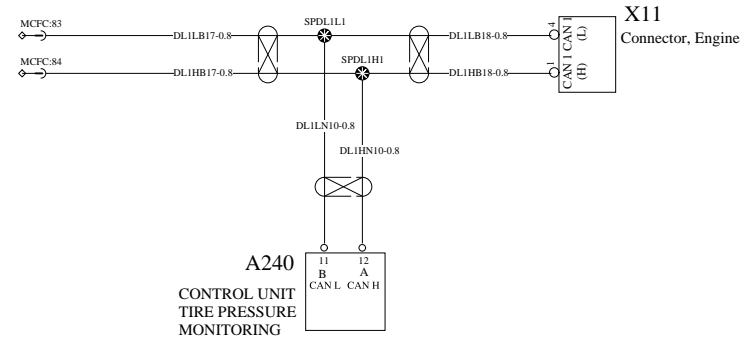




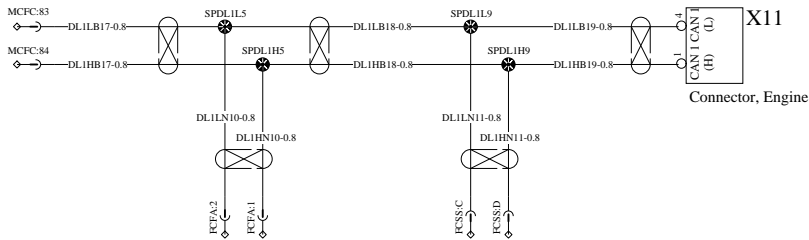
VOLVO EXPORT BASE (114)



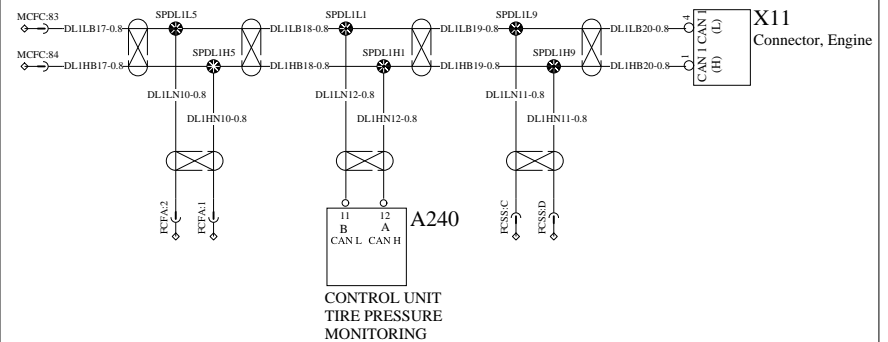
VOLVO EXPORT BASE W/TPM (115)



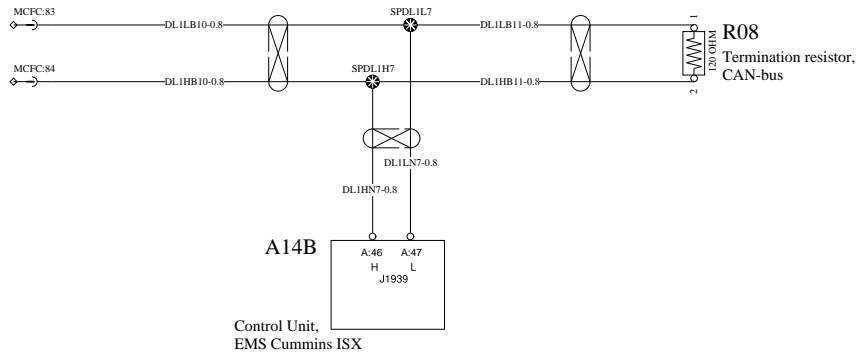
VOLVO EXPORT BASE W/CAVS (116)



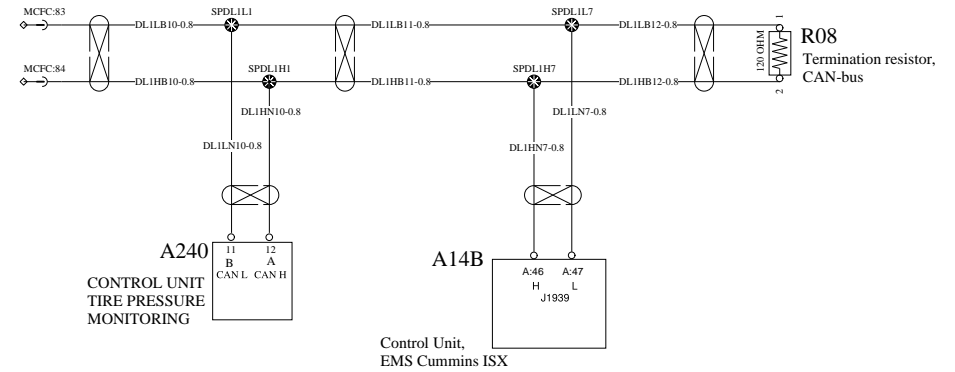
VOLVO EXPORT BASE W/TPM &CAVS (117)



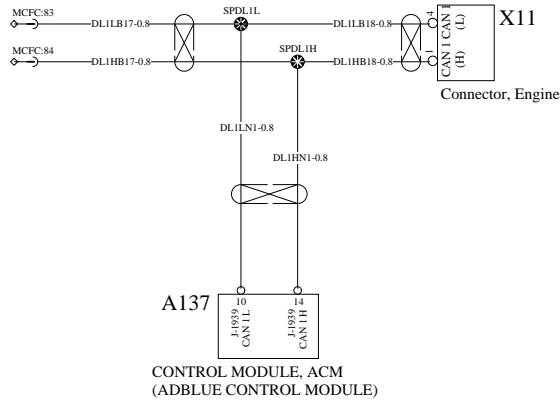
ISX EXPORT BASE (100)



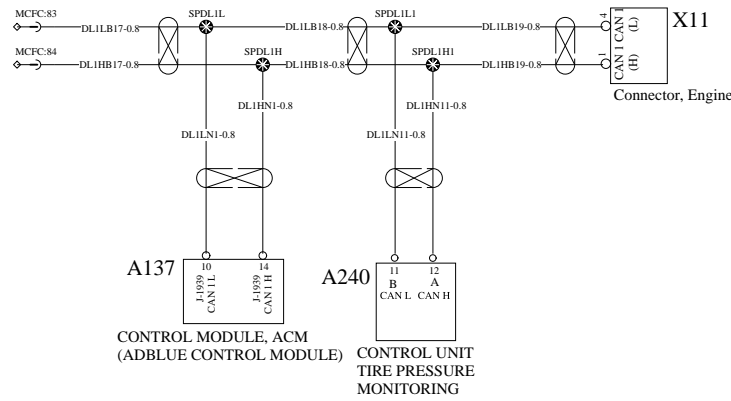
ISX EXPORT BASE W/ TPM (101)



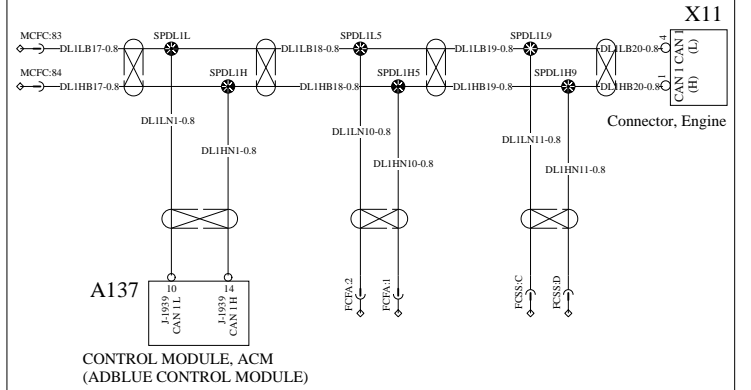
VOLVO BASE (102)



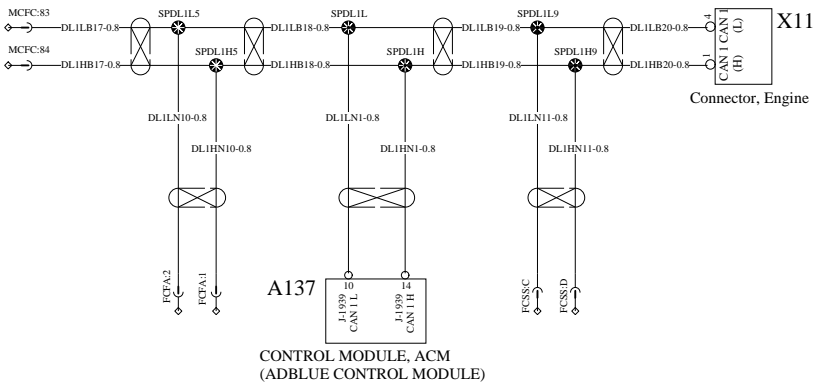
VOLVO BASE W/TPM (103)



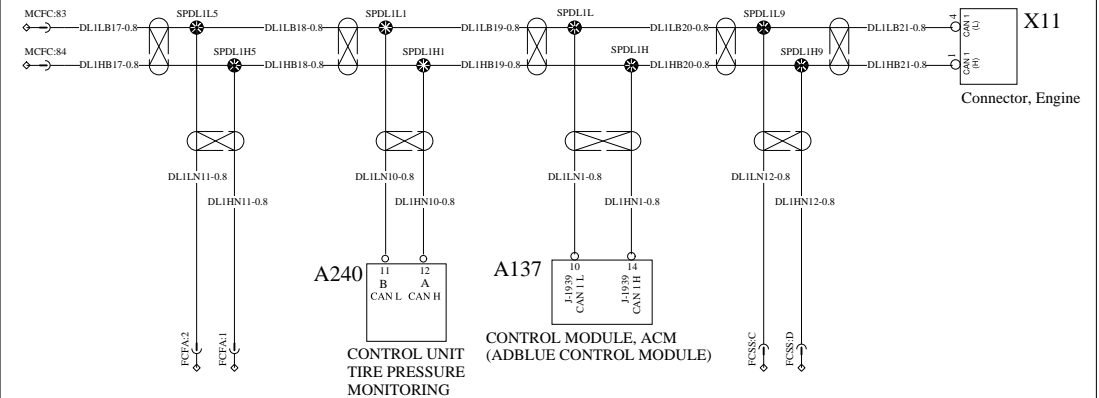
VOLVO BASE WITH CAVS (104)



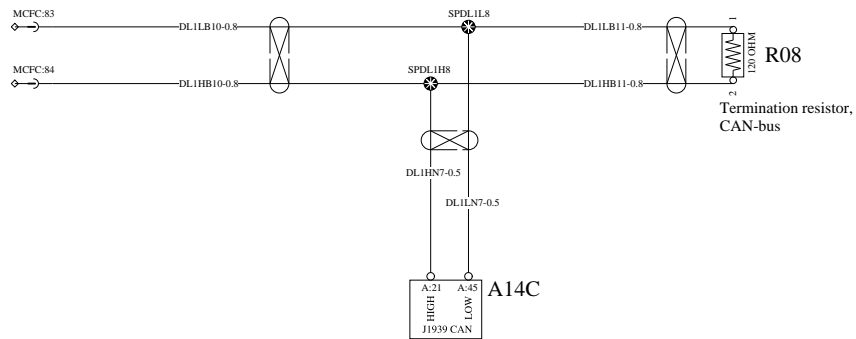
VOLVO BASE WITH CAVS (199)



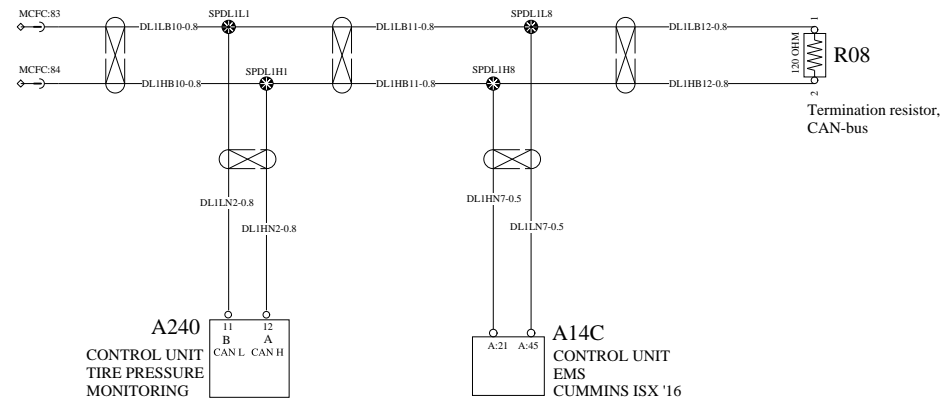
VOLVO BASE W/CAVS & TPM (105)



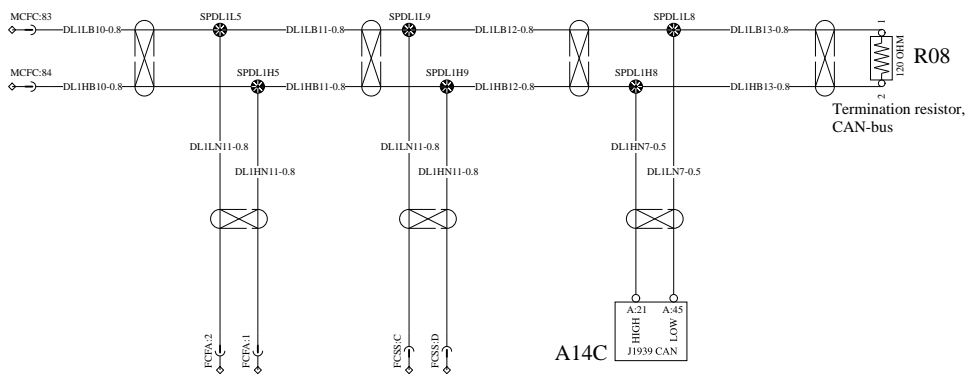
ISX 2017 BASE (110)



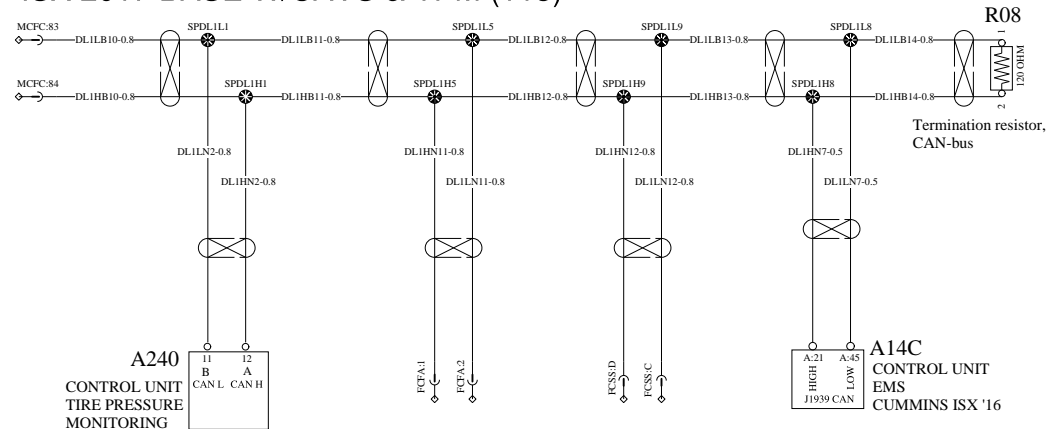
ISX 2017 BASE W/TPM (111)



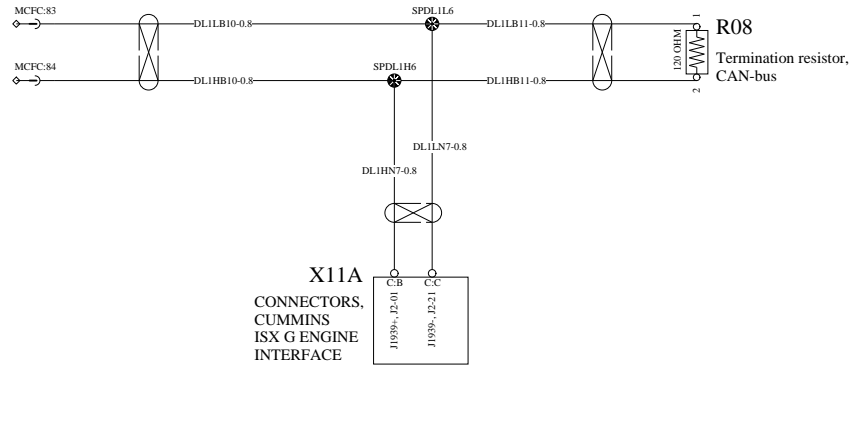
ISX 2017 BASE W/CAVS (112)



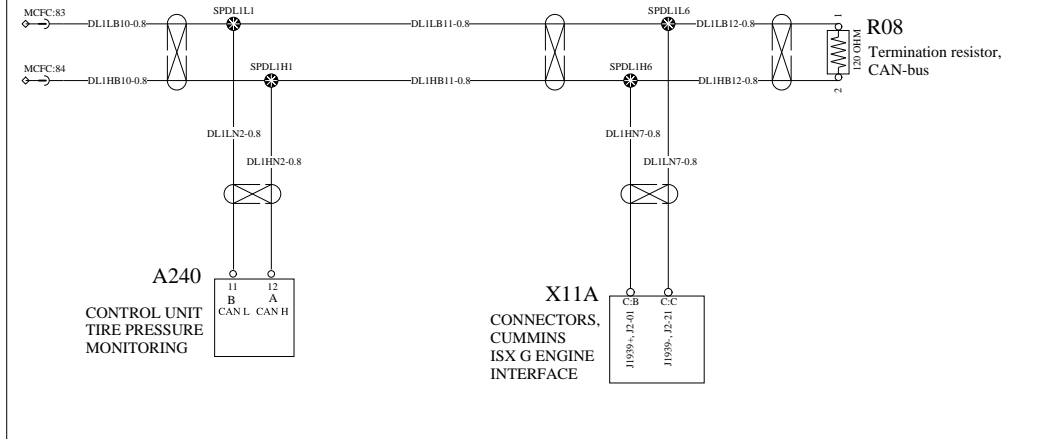
ISX 2017 BASE W/CAVS & TPM (113)



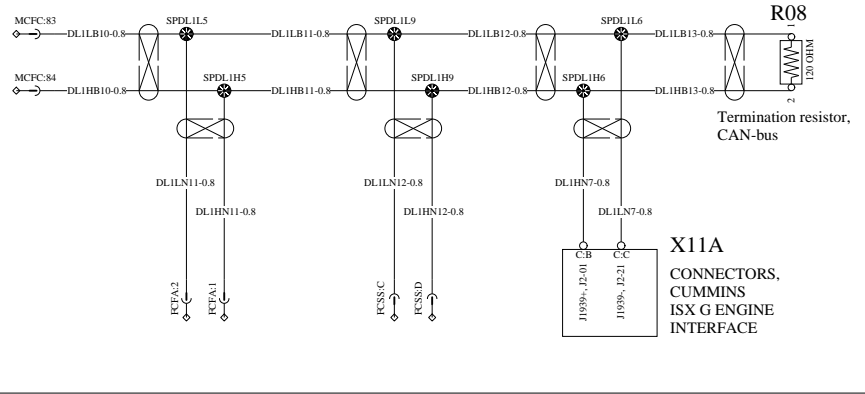
ISX G BASE (106)



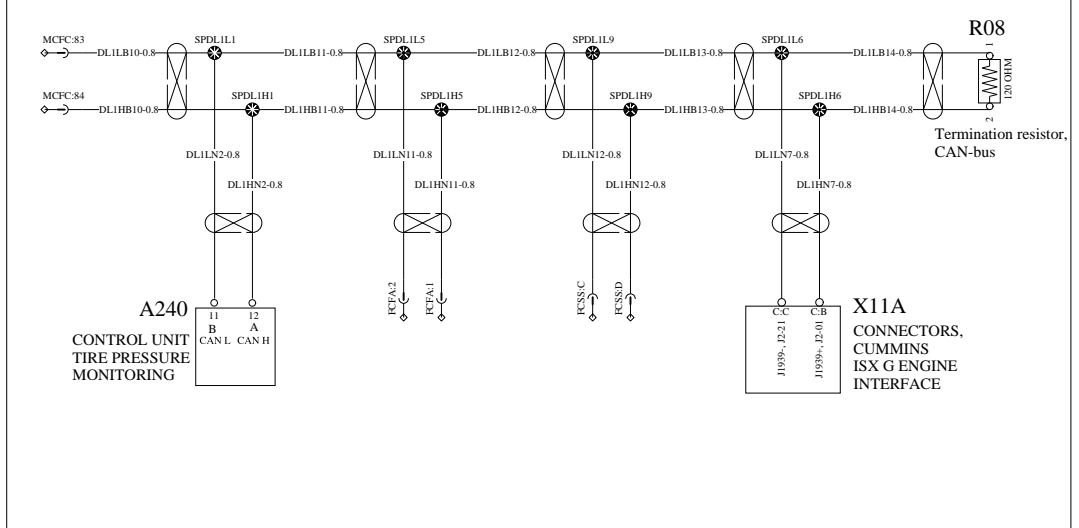
ISX G W/ TPM (107)



ISX G W/ CAVS (108)

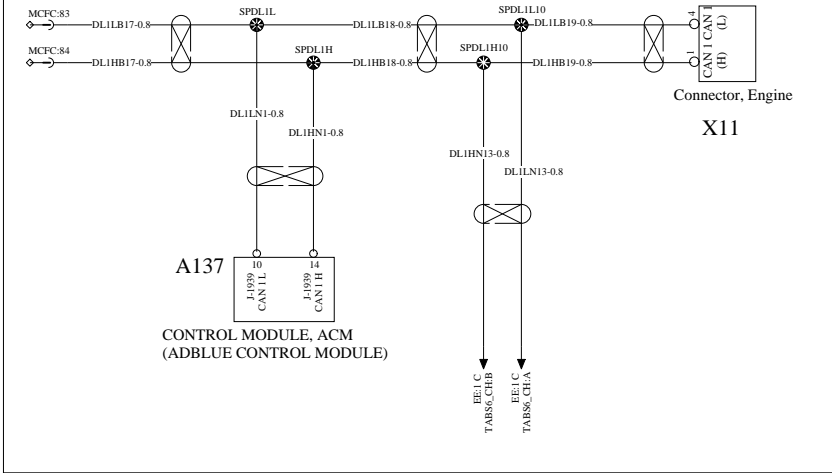


ISX G W/ TPM & CAVS (109)

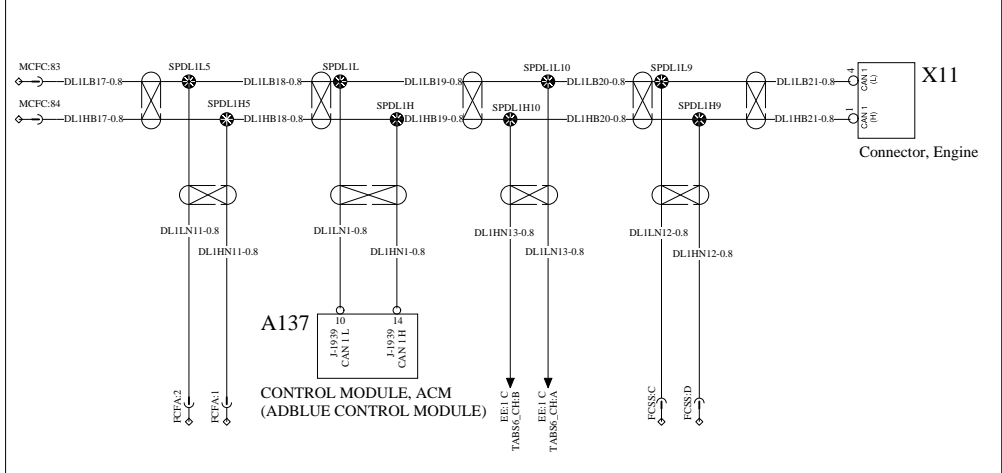


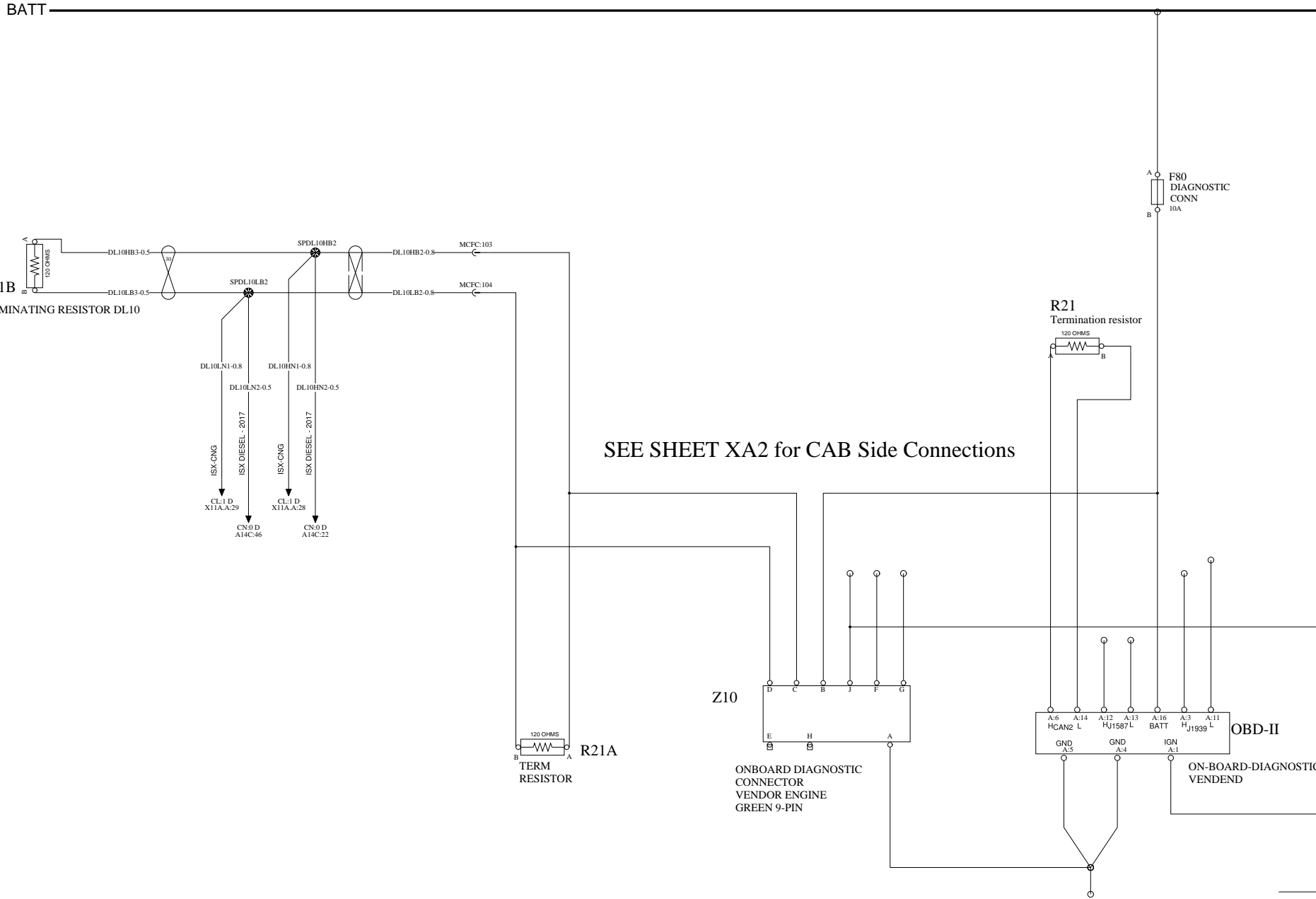


VOLVO BASE w/ TABS6 (182)



VOLVO BASE WITH TABS6 & CAVS (183)





SEE SHEET XA2 for CAB Side Connections

0

1

2

3

4

### BILL OF MATERIALS INDEX (VOL 2)

NAME	PAGE
GROUNDS	2
FUSES AND CIRCUIT BREAKERS	3

NAME	PAGE
RELAYS	6
COMPONENTS	7

NAME	PAGE
INLINES	18
SPLICES	25

NAME	PAGE
SHELLS	28
REFERENCES	32

A

A

B

B

C

C

D

D

E

E

**VOLVO** Group Trucks Technology

Document title  
12V VOLVO CONVENTIONAL

Document No

Issue

Volume

Page

Document type  
PRODUCT SCHEMATIC

22622040

05

2 (2)

1 (43)

0

1

2

3

4

0

1

2

3

4

## GROUNDS

NAME	PAGE
SKX03D	AE 3 B
SKX03D	BE 3 E
SKX03D	BH 0 D
SKX03D	BM 1 D
SKX03D	CM 0 D
SKX03D	GC 0 B
SKX03D	GI 1 E
SKX03D	HA 1 C
SKX03D	HB 0 D
SKX03D	IB 1 E
SKX03D	IF 3 C
SKX03D	KG 3 C

NAME	PAGE
SKX03F A	AE 3 D
SKX03F A	BE 3 E
SKX03F A	BM 1 E
SKX03F A	DP 2 D
SKX03F A	FH 2 B
SKX03F A	HE 3 C
SKX03F A	IB 1 D
SKX03F A	IC 1 D
SKX03F A	IH 3 B
SKX03F A	NA 0 D
SKX03F A	XB 4 D
SKX03F_B	AE 3 D

NAME	PAGE
SKX03F B	AH 1 E
SKX03F B	AJ 2 C
SKX03F B	BB 3 B
SKX03F B	EB 3 E
SKX03F B	EC 4 B
SKX03F B	EH 3 E
SKX03F B	FC 2 E
SKX03F B	FD 0 E
SKX03F B	FE 2 C
SKX03F B	FF 0 C
SKX03F B	XB 4 D
SKX03F_C	AE 3 C

NAME	PAGE
SKX03F C	BY 2 B
SKX03F C	CH 2 D
SKX03F C	DP 2 D
SKX03F C	EB 3 D
SKX03F C	EH 3 D
SKX03F C	FB 0 D
SKX03F C	GA 3 A
SKX03F C	GJ 2 D
SKX03F C	GK 0 C
SKX03F C	IG 1 D
SKX03F C	IR 1 E
SKX03F_C	JH 1 B

NAME	PAGE
SKX03F_C	NA 2 D
X01F	AE 1 E
X01F	AL 0 C
X01F	AM 2 D
X01F	AN 1 D
X01F	HI 1 A
X01F	HJ 2 E
X01F	HL 3 E
X02	AE 2 C
X02	AL 1 B
X02	AN 1 C
X02	CC 4 D

NAME	PAGE
X02	CL 3 B
X02	CN 4 B
X03	AE 2 D
X03	AL 1 C
X03	AN 2 D
X03	CB 1 D
X03E	EC 4 D
X07	IG 0 D
X07A	IG 1 D
X07B	IG 0 D
X07B.A	IG 2 C
X07C	IG 3 C

NAME	PAGE
X07C.A	IG 2 C
X07D	IG 0 D
X07E	IG 2 C
X07F	IG 3 C
X07G	IG 4 D
X07K	IG 3 C
X45	CA 2 B

0

1

2

3

4

FUSES AND CIRCUIT BREAKERS

FUSE	DESCRIPTION	PAGE
F01 ()	RH WINDOW/ MIRR.	AB 4 D
F01 ()	RH WINDOW/ MIRR.	IC 3 A
F02 ()	HVAC	AB 4 D
F02 ()	HVAC	HA 0 A
F03 ()	HEATED SEATS	AB 4 D
F03 ()	HEATED SEATS	IR 2 A
F04 ()	RADIO	AB 3 D
F04 ()	RADIO	KE 1 A
F04 ()	RADIO	KF 2 A
F04 ()	RADIO	KG 1 A
F04 ()	RADIO	KL 1 A
F04 ()	RADIO	KM 2 A
F04 ()	RADIO	KN 1 A
F05 ()	LECM4	AA 0 C
F05 ()	LECM4	HB 3 A
F06 ()	RH SLEEPER SOCKETS	AA 0 C
F06 ()	RH SLEEPER SOCKETS	IG 2 A
F07 ()	LH SLEEPER SOCKETS	AA 0 C
F07 ()	LH SLEEPER SOCKETS	IG 3 A
F08 ()	AUX SW 1 & 2 / BRIGHTWORK	AA 1 C
F08 ()	AUX SW 1 & 2 / BRIGHTWORK	NA 1 A
F09 ()	USB CHARGE PORTS	AA 1 C
F09 ()	USB CHARGE PORTS	IG 4 A
F10 ()	CUST. LVD2	AA 1 C
F10 ()	CUST. LVD2	AQ 3 A
F11 ()	OPEN	AB 3 D
F12 ()	DASH SOCKETS	AB 3 D
F12 ()	DASH SOCKETS	IG 0 A
F13 ()	LH WINDOW/ MIRR.	AB 3 D
F13 ()	LH WINDOW/ MIRR.	IC 1 A
F14 ()	OPEN	AB 4 D
F15 ()	LECM1	AA 1 C
F15 ()	LECM1	HB 2 A
F16 ()	O-H SOCKET	AA 2 C
F16 ()	O-H SOCKET	IG 1 A
F17 ()	AUX . SW ES 3 & 4	AA 2 C
F17 ()	AUX . SW ES 3 & 4	NA 3 A
F18 ()	LECM HVAC FAN	AA 2 C
F18 ()	LECM HVAC FAN	HB 3 A
F19 ()	ROOF SIGN/ BBM	AA 2 C
F19 ()	ROOF SIGN/ BBM	BH 0 A
F19 ()	ROOF SIGN/ BBM	GC 1 B
F20 ()	HORN	AA 0 A
F20 ()	HORN	GQ 1 A
F21 ()	QUAL COMM	AB 3 B
F21 ()	QUAL COMM	BE 3 B
F22 ()	CB POWER STUDS	AA 3 C
F22 ()	CB POWER STUDS	IG 1 A
F23 ()	CUST. IGN3	AB 0 C
F23 ()	CUST. IGN3	AQ 4 A

FUSE	DESCRIPTION	PAGE
F24 ()	OPEN P. S. SEAT SUSPENSION	AA 3 C
F24 ()	OPEN P. S. SEAT SUSPENSION	IS 2 B
F25 ()	DCP OPEN TGW	AB 3 D
F26 ()	DOME/ DOOR INT LAMPS	AA 3 C
F26 ()	DOME/ DOOR INT LAMPS	IA 1 A
F26 ()	DOME/ DOOR INT LAMPS	IH 4 A
F27 ()	LCM3	AA 0 A
F27 ()	LCM3	GB 2 A
F28 ()	CUST. LVD1	AA 3 C
F28 ()	CUST. LVD1	AQ 3 A
F29 ()	EFRC	AA 2 D
F29 ()	EFRC	AC 2 A
F30 ()	ULTRA SHIFT	AB 3 B
F30 ()	ULTRA SHIFT	DB 3 B
F31 ()	CUMMINS IGN 1	AB 3 B
F31 ()	CUMMINS IGN 1	BY 1 B
F31 ()	CUMMINS IGN 1	CC 3 A
F31 ()	CUMMINS IGN 1	CL 0 B
F31 ()	CUMMINS IGN 1	CN 2 C
F32 ()	CUST. IGN1	AB 1 C
F32 ()	CUST. IGN1	AQ 4 A
F33 ()	AIR SOL/SW	AB 2 C
F33 ()	AIR SOL/SW	BA 3 A
F33 ()	AIR SOL/SW	FC 1 A
F33 ()	AIR SOL/SW	FD 2 A
F33 ()	AIR SOL/SW	FF 1 A
F34 ()	OPEN	AB 0 C
F35 ()	BB IGN-X	AB 3 C
F35 ()	BB IGN-X	BH 0 A
F36 ()	MOBILEMAX/ PEOPLENET QUALCOM/ QUALCOMM TE	AB 1 C
F36 ()	MOBILEMAX/ PEOPLENET QUALCOM/ QUALCOMM TE	BE 2 A
F36 ()	MOBILEMAX/ PEOPLENET QUALCOM/ QUALCOMM TE	BF 2 A
F36 ()	MOBILEMAX/ PEOPLENET QUALCOM/ QUALCOMM TE	BJ 1 A
F37 ()	FUME DETECTOR	AB 2 C
F37 ()	FUME DETECTOR	CM 0 A
F38 ()	LECM / AUX AC	AB 2 C
F38 ()	LECM / AUX AC	HB 3 A
F38 ()	LECM / AUX AC	IS 1 B
F39 ()	VDS	AA 2 D
F39 ()	VDS	FH 1 A
F40 ()	LCP.LCM/ CLU	AA 2 D
F40 ()	LCP.LCM/ CLU	GA 1 A
F41 ()	ABS	AA 0 A
F41 ()	ABS	EC 2 A
F42 ()	DISPLAY OPEN TTU	AA 0 A
F42 ()	DISPLAY OPEN TTU	BF 1 A
F43 ()	LECM2	AA 0 A
F43 ()	LECM2	HB 2 A
F44 ()	KEY SW.	AA 1 A
F44 ()	KEY SW.	AQ 1 A

## FUSES AND CIRCUIT BREAKERS

FUSE	DESCRIPTION	PAGE
F45 ()	IC OPEN	AB 3 B
F46 ()	BB IGN/ CAMERA PREP	AB 0 C
F46 ()	BB IGN/ CAMERA PREP	BH 1 A
F47 ()	BB IGN-Y	AB 3 C
F47 ()	BB IGN-Y	BH 1 A
F48 ()	HEATED WINDSHIELD	AB 1 C
F48 ()	HEATED WINDSHIELD	IB 2 A
F49 ()	REVERSE LAMPS/ LIFT AXLES	AB 2 C
F49 ()	REVERSE LAMPS/ LIFT AXLES	GK 1 A
F50 ()	I-SHIFT TECU	AA 2 B
F50 ()	I-SHIFT TECU	DA 0 B
F51 ()	I-SHIFT GECU	AA 2 B
F51 ()	I-SHIFT GECU	DA 1 B
F52 ()	IC	AA 1 A
F52 ()	IC	BA 0 A
F53 ()	BBM BBM/ IC	AB 1 B
F53 ()	BBM BBM/ IC	AG 0 B
F53 ()	BBM BBM/ IC	BA 0 A
F54 ()	TRANS	AB 1 B
F54 ()	TRANS	AG 0 B
F54 ()	TRANS	AK 1 A
F54 ()	TRANS	DA 1 A
F54 ()	TRANS	DF 1 A
F55 ()	OPEN	AA 2 D
F56 ()	BENDIX FUSION	AA 2 D
F56 ()	BENDIX FUSION	JG 0 B
F57 ()	SNOW PLOW LAMPS LH	AA 3 D
F57 ()	SNOW PLOW LAMPS LH	GI 2 A
F58 ()	SNOW PLOW LAMPS RH	AA 3 D
F58 ()	SNOW PLOW LAMPS RH	GI 1 A
F59 ()	SEAT SRS	AA 3 D
F59 ()	SEAT SRS	JH 1 A
F60 ()	HVAC FAN	AA 1 A
F60 ()	HVAC FAN	HA 0 A
F61 ()	LVD SENS/ VENDOR TTU	AA 1 A
F61 ()	LVD SENS/ VENDOR TTU	BE 2 A
F61 ()	LVD SENS/ VENDOR TTU	BF 1 A
F61 ()	LVD SENS/ VENDOR TTU	BY 1 A
F62 ()	OPEN	AB 0 C
F63 ()	CUST. IGN2	AB 0 C
F63 ()	CUST. IGN2	AQ 4 A
F64 ()	OPEN	AB 1 C
F65 ()	OPEN	AB 1 C
F66 ()	I-SHIFT	AA 2 A
F66 ()	I-SHIFT	DA 0 A
F67 ()	OPEN	AA 2 A
F68 ()	RADIO	AA 2 A
F68 ()	RADIO	KE 1 A
F68 ()	RADIO	KF 2 A
F68 ()	RADIO	KG 1 A

FUSE	DESCRIPTION	PAGE
F68 ()	RADIO	KL 1 A
F68 ()	RADIO	KM 2 A
F68 ()	RADIO	KN 1 A
F69 ()	VECU/ENG BRK SW	AB 1 B
F69 ()	VECU/ENG BRK SW	AG 0 B
F70 ()	PTO	AB 1 B
F70 ()	PTO	BM 1 A
F70 ()	PTO	DP 2 A
F71 ()	OPEN	AA 2 A
F72 ()	SRS	AA 3 D
F72 ()	SRS	JA 3 A
F73 ()	ACC / SIDE SENSE ECS	AA 3 D
F73 ()	ACC / SIDE SENSE ECS	EB 3 A
F73 ()	ACC / SIDE SENSE ECS	EH 3 A
F73 ()	ACC / SIDE SENSE ECS	JE 1 A
F74 ()	IGN TABS6	AA 4 D
F74 ()	IGN TABS6	EE 1 A
F75 ()	WIPER	AA 4 D
F75 ()	WIPER	GP 0 A
F76 ()	DS OPEN SEAT SUSPENSION	AA 2 A
F76 ()	DS OPEN SEAT SUSPENSION	IS 0 B
F77 ()	BENDIX FUSION	AA 2 A
F77 ()	BENDIX FUSION	JG 0 A
F78 ()	LCM2	AA 3 A
F78 ()	LCM2	GB 2 B
F79 ()	LCM4	AA 3 A
F79 ()	LCM4	GB 2 B
F80 ()	DIAGNOSTIC CONN	AA 3 A
F80 ()	DIAGNOSTIC CONN	XB 2 A
F80 ()	DIAGNOSTIC CONN	XJ 3 B
F81 ()	LCM1	AA 3 A
F81 ()	LCM1	GB 2 A
F82 ()	LCM6	AA 3 A
F82 ()	LCM6	GB 2 A
F83 ()	LCM5	AA 4 A
F83 ()	LCM5	GB 2 B
F84 ()	POWER DOOR LOCKS	AA 4 A
F84 ()	POWER DOOR LOCKS	IF 2 A
F85 ()	TGW	AA 4 A
F85 ()	TGW	BJ 1 A
F86 ()	ECS/ BEACON LAMPS	AA 4 A
F86 ()	ECS/ BEACON LAMPS	EB 4 A
F86 ()	ECS/ BEACON LAMPS	EH 4 A
F86 ()	ECS/ BEACON LAMPS	GJ 1 A
F87 ()	CUST. BAT1	AA 4 A
F87 ()	CUST. BAT1	AQ 3 A
FE1 ()	TRAILER STOP RELAY	AC 0 B
FE1 ()	TRAILER STOP RELAY	MA 1 A
FE2 ()	RELAY TRAILER CLEARANCE	AC 1 B
FE2 ()	RELAY TRAILER CLEARANCE	MA 1 A

## FUSES AND CIRCUIT BREAKERS

FUSE	DESCRIPTION	PAGE
FE3 ()	RELAY TRAILER MARKER	AC 1 B
FE3 ()	RELAY TRAILER MARKER	MA 2 A
FE4 ()	EMS MAIN VOLVO/ CUMMINS	AC 1 C
FE4 ()	EMS MAIN VOLVO/ CUMMINS	AG 2 B
FE5 ()	ACM EMS	AC 2 C
FE5 ()	ACM EMS	AG 3 A
FE5 ()	ACM EMS	BP 2 A
FE6 ()	VECU/ WATER IN FUEL SW/ ENG. BRAKE	AC 2 C
FE7 ()	OPEN	AC 2 C
FE8 ()	EMS COM 1	AC 2 C
FE8 ()	EMS COM 1	AG 3 A
FE9 ()	EMS COMP 2	AC 3 C
FE9 ()	EMS COMP 2	AG 4 A
FE10 ()	TRAILER AUX/ABS	AC 3 C
FE10 ()	TRAILER AUX/ABS	MA 3 A
FE11 ()	ABS IGN	AC 3 C
FE11 ()	ABS IGN	EC 2 A
FE12 ()	FUEL HEAT	AC 3 C
FE12 ()	FUEL HEAT	CE 2 A
FE13 ()	AIR DRYER	AC 3 C
FE13 ()	AIR DRYER	FA 2 A
FE14 ()	TPM	AC 4 C
FE14 ()	TPM	FG 0 A
FE15 ()	LNG FAN	AC 4 C
FE16 ()	FAN FUEL COOLER	AC 4 C

FUSE	DESCRIPTION	PAGE
FE17 ()	BRK CES/ LNG/ SPARE	AD 0 B
FE17 ()	BRK CES/ LNG/ SPARE	CP 3 A
FE18 ()	CUMMINS EXPORT ISX ISX-G ISX/	AD 0 B
FE18 ()	CUMMINS EXPORT ISX ISX-G ISX/	CC 4 A
FE19 ()	AUTO TRANS: ALLISON/ EATON	AD 1 B
FE19 ()	AUTO TRANS: ALLISON/ EATON	DB 3 B
FE19 ()	AUTO TRANS: ALLISON/ EATON	DF 0 A
FE20 ()	TRAILER LEFT TURN	AD 1 B
FE20 ()	TRAILER LEFT TURN	MA 3 B
FE21 ()	TRAILER RIGHT TURN	AD 1 B
FE21 ()	TRAILER RIGHT TURN	MA 3 B
FE22 ()	SPARE	AD 1 B
FE23 ()	SPARE	AD 2 B
FE24 ()	VDS	AD 2 B
FE24 ()	VDS	FH 0 A
FE25 ()	UREA HEATED LINES	AD 0 B
FE25 ()	UREA HEATED LINES	CP 1 A
FM08A ()	TRUCK BATT TO BATT MONITOR FUSE	HJ 4 D
FM08A ()	TRUCK BATT TO BATT MONITOR FUSE	HL 4 D
FT01 ()	FUSE ACM	CF 0 B
FT01 ()	FUSE ACM	CG 0 B
FT02 ()	Fuse Clutch Power	DB 0 D
FT03 ()	FUSE DISCONNECT SOLENOID	AM 2 E
FT04 ()	FUSE DISCONNECT SWITCH	AM 3 E

RELAYS

RELAY	DESCRIPTION	PAGE
RLY01	ACCESSORY POWER	AB 4 B
RLY01	ACCESSORY POWER	AQ 1 D
RLY02	RADIO WAKE	AB 3 D
RLY02	RADIO WAKE	KE 0 B
RLY02	RADIO WAKE	KF 1 B
RLY02	RADIO WAKE	KG 0 B
RLY02	RADIO WAKE	KL 0 B
RLY02	RADIO WAKE	KM 2 B
RLY02	RADIO WAKE	KN 0 B
RLY03	ROOF MARKER	AA 0 D
RLY03	ROOF MARKER	GC 1 B
RLY04	VENDOR START ENABLE	AB 0 D
RLY04	VENDOR START ENABLE	CL 1 B
RLY05	OPEN	AB 0 E
RLY06	OPEN	AB 0 E
RLY07	SNOW PLOW RH	AB 2 A
RLY07	SNOW PLOW RH	GI 1 C
RLY08	SNOW PLOW LH	AB 2 A
RLY08	SNOW PLOW LH	GI 2 C
RLY09	DOME/DOOR LAMPS	AA 1 D
RLY09	DOME/DOOR LAMPS	IA 2 B
RLY10	RELAY, CITY HORN	AA 0 B

RELAY	DESCRIPTION	PAGE
RLY10	RELAY, CITY HORN	GQ 1 C
RLY11	START ENABLE	AB 2 B
RLY11	START ENABLE	AK 1 D
RLY11	START ENABLE	DA 0 B
RLY11	START ENABLE	DB 2 B
RLY11	START ENABLE	DF 2 B
RLY12	OPEN REMOTE START	AB 1 D
RLY12	OPEN REMOTE START	BM 5 A
RLY13	SNOW PLOW LCM INPUT	AB 3 A
RLY13	SNOW PLOW LCM INPUT	GI 3 C
RLY14	LIFT AXLE/ REVERSE SIGNAL	AB 2 C
RLY14	LIFT AXLE/ REVERSE SIGNAL	FB 3 A
RLY14	LIFT AXLE/ REVERSE SIGNAL	FE 1 A
RLY14	LIFT AXLE/ REVERSE SIGNAL	GK 1 B
RLY15	ALLISON BODYBUILDER	AB 2 B
RLY15	ALLISON BODYBUILDER	DF 3 B
RLY16	ALLISON BODYBUILDER	AA 3 B
RLY16	ALLISON BODYBUILDER	DF 4 B
RLY17	POWER IGNITION 1	AB 0 B
RLY17	POWER IGNITION 1	AQ 0 D
RLY18	I-SHIFT PWR.	AA 2 B
RLY18	I-SHIFT PWR.	DA 1 B

RELAY	DESCRIPTION	PAGE
RLY19	EMS2	AB 1 A
RLY19	EMS2	AG 1 B
RLY20	IGN+	AA 4 C
RLY20	IGN+	AQ 1 C
RLY21	PTO	AB 1 D
RLY21	PTO	DP 1 B
RLY22	ECS POWER	AA 4 B
RLY22	ECS POWER	EB 4 B
RLY22	ECS POWER	EH 4 B
RLY23	INTERMITTENT WIPER	AA 3 E
RLY23	INTERMITTENT WIPER	GP 1 B
RLY24	INTERMITTENT WIPER	AA 4 E
RLY24	INTERMITTENT WIPER	GP 0 B
RLY25	REMOTE THROTTLE DEC	AB 2 E
RLY25	REMOTE THROTTLE DEC	AH 3 B
RLY26	REMOTE THROTTLE INC	AB 1 E
RLY26	REMOTE THROTTLE INC	AH 2 B
RLY41	RELAY, PARK BRAKE	HB 4 D
RLY41	RELAY, PARK BRAKE	HK 5 D
RLYER5	RELAY, METHANE DETECT	CM 0 C
RLYER6	RELAY METHANE DETECTOR	CM 0 C



## COMPONENTS

COMPONENT	DESCRIPTION	PAGE
A03	Instrument cluster	BA 0 C
A03	Instrument cluster	BB 2 C
A03	Instrument cluster	GO 1 B
A03S	SECONDARY GAUGES	BA 0 D
A03V	Instrument cluster, Volvo	BA 0 D
A04A	Refrigerator	HE 0 B
A04A	Refrigerator	HG 2 B
A04B	REFRIGERATOR	HF 0 B
A05	Display, FMS (Fleet Management System)	BF 3 D
A11	Control unit, door lock	IF 1 B
A12B	CONTROL UNIT, ABS (ANTI-LOCK BRAKE SYSTEM	EC 0 C
A12B	CONTROL UNIT, ABS (ANTI-LOCK BRAKE SYSTEM	ED 0 A
A12B	CONTROL UNIT, ABS (ANTI-LOCK BRAKE SYSTEM	FG 2 C
A13B	TECU AMT-F	DA 3 D
A13E	Control unit, TECU (automatic transmissio	DA 2 B
A14B	Control Unit, EMS Cummins ISX	CC 1 B
A14B	Control Unit, EMS Cummins ISX	XE 1 C
A14C	CONTROL UNIT EMS CUMMINS ISX '16	CN 0 D
A14C	CONTROL UNIT EMS CUMMINS ISX '16	CP 0 E
A14C	CONTROL UNIT EMS CUMMINS ISX '16	XG 3 C
A15A	Control unit, SRS (Supplementary Restrai	JA 2 C
A16	Control unit, ECS (Electronic Controlled	EB 0 C
A16	Control unit, ECS (Electronic Controlled	EH 0 C
A17	Control unit, VECU (Vehicle ECU)	AG 1 C
A17	Control unit, VECU (Vehicle ECU)	AH 1 D
A17	Control unit, VECU (Vehicle ECU)	AI 0 A
A17	Control unit, VECU (Vehicle ECU)	AJ 2 C
A19E	SHIFT SELECTOR ALLISON	DF 0 E
A27	Control unit, LCM (Light Control Module	GA 1 C
A27	Control unit, LCM (Light Control Module	GB 1 C
A27	Control unit, LCM (Light Control Module	GG 0 A
A27	Control unit, LCM (Light Control Module	GK 0 B
A34	Control unit, climate unit	HA 2 B
A36	Control unit, BBM (Body Builder Module)	BM 1 C
A46	Control unit, LECM (Living Enviroment Co	HB 4 B
A46	Control unit, LECM (Living Enviroment Co	HD 2 A
A46	Control unit, LECM (Living Enviroment Co	HE 3 A
A46	Control unit, LECM (Living Enviroment Co	HF 3 A
A46	Control unit, LECM (Living Enviroment Co	HG 4 A
A46	Control unit, LECM (Living Enviroment Co	HK 5 B
A48	TV	KG 4 B
A48	TV	KN 2 B
A55A	EATON AUTO/ULTRA SHIFT GEN 3 ECU	DB 1 D
A56	Stereo amplifier	KG 0 C
A56	Stereo amplifier	KN 0 C
A57A	CONTROL UNIT ALLISON TRANS. GEN 4	DE 0 A
A57A	CONTROL UNIT ALLISON TRANS. GEN 4	DF 0 C
A58A	ALLISON TRANSMISSION	DE 0 D
A61A	BATTERY MONITOR, MIDTRONICS	HJ 4 C
A61A	BATTERY MONITOR, MIDTRONICS	HL 5 C

COMPONENT	DESCRIPTION	PAGE
A70A	PUSH BUTTON SHIFT CONTROL	DB 0 C
A72	LOW VOLTAGE DISCONNECT	AQ 2 C
A72	LOW VOLTAGE DISCONNECT	HB 1 D
A72	LOW VOLTAGE DISCONNECT	HK 2 D
A80	Airdryer, electrical controlled	FA 1 C
A109	Control unit, GSECU (Gearshift ECU)	DA 1 C
A131A	LVD, POWER SEPARATOR	HJ 4 B
A131A	LVD, POWER SEPARATOR	HL 5 B
A137	CONTROL MODULE, ACM (ADBLUE CONTROL MODUL	CF 0 C
A137	CONTROL MODULE, ACM (ADBLUE CONTROL MODUL	CG 0 C
A137	CONTROL MODULE, ACM (ADBLUE CONTROL MODUL	XF 3 B
A137	CONTROL MODULE, ACM (ADBLUE CONTROL MODUL	XI 3 B
A138	PUMP UNIT, ADBLUE	CF 2 E
A138	PUMP UNIT, ADBLUE	CG 2 E
A147	Control Unit, Fuel Filter Module	BP 2 D
A148	Control Unit, Heated Windshield	IB 2 C
A150	TGW2	BJ 1 D
A150	TGW2	KO 1 D
A158	Control unit, Audio	KD 2 C
A158	Control unit, Audio	KE 1 C
A158	Control unit, Audio	KF 2 B
A158	Control unit, Audio	KG 3 A
A170	Control panel, climate	HJ 0 B
A170	Control panel, climate	HL 1 B
A175	Control Unit, TESP, (Telematics Service P	BF 1 C
A175B	TMC 1226 TESP MATE	BF 1 D
A176	Control unit, LPOS, Lane Position and Obj	JG 2 B
A186	Control Unit, PCCU (Parking Cooler Contro	HJ 1 C
A186	Control Unit, PCCU (Parking Cooler Contro	HL 2 C
A230	Display, SID Touch, Secondary Information	KO 3 C
A231	Control Unit, SEM, Services and Entertain	KL 3 D
A231	Control Unit, SEM, Services and Entertain	KM 2 C
A231	Control Unit, SEM, Services and Entertain	KN 3 A
A231	Control Unit, SEM, Services and Entertain	KO 2 B
A234	Control unit, FAS GW (Front Active Steeri	FH 1 A
A235	Control unit, FAS (Front Active Steering)	FH 2 D
A240	CONTROL UNIT TIRE PRESSURE MONITORING	FG 0 C
A240	CONTROL UNIT TIRE PRESSURE MONITORING	XD 3 B
A240	CONTROL UNIT TIRE PRESSURE MONITORING	XE 3 C
A240	CONTROL UNIT TIRE PRESSURE MONITORING	XF 2 B
A240	CONTROL UNIT TIRE PRESSURE MONITORING	XG 2 B
A240	CONTROL UNIT TIRE PRESSURE MONITORING	XH 2 D
A247	CONTROL UNIT TIRE PRESSURE RECEIVER	FG 2 A
A248	Control Unit, TABS6 (Pusher Anti-lock Bra	EE 1 C
A261	CONTROL UNIT TTU PEOPLENET	BF 1 D
A320	CONTROL UNIT CUMMINS ADEPT	BY 1 C
A374	Control Unit Seat SRS	JH 1 C
A381DS	SEAT SUSPENSTION BOSE	IS 0 C
A381PS	SEAT SUSPENSTION BOSE	IS 2 C
B06	Sensor, air pressure, air tank	BA 2 D

0

1

2

3

4

## COMPONENTS

COMPONENT	DESCRIPTION	PAGE
B06A	Sensor, hydraulic pressure, retarder	BA 1 D
B06AP	SENSOR AIR PRESSURE BRAKE APPLICATION	BA 2 D
B06B	SENSOR, AIR PRESSURE A-TANK / REAR BRAK	BA 1 D
B07	SENSOR FUEL LEVEL	BA 3 D
B09A	SENSOR OIL TEMP GEARBOX	BA 3 D
B13	SENSOR WHEEL SPEED LH 1ST AXLE	EC 2 B
B14	SENSOR WHEEL SPEED RH 1ST AXLE	EC 1 B
B15	Sensor, wheel speed, lhs. 1:st driven re	EC 0 B
B16	Sensor, wheel speed, rhs. 1:st driven re	EC 4 D
B17	Sensor, wheel speed, lhs., 2:nd driven r	EC 1 D
B18	Sensor, wheel speed, rhs., 2:nd driven r	EC 2 D
B22A	Sensor, outdoor temperature (LHD)	BA 3 D
B22B	Sensor, outdoor temperature (RHD)	BA 3 D
B22C	SENSOR, AMBIENT AIR TEMP	CL 2 B
B22C	SENSOR, AMBIENT AIR TEMP	CN 3 C
B23A	Sensor, oil temperature, retarder	DE 3 D
B25A	SENSOR ACCELERATOR PEDAL	AI 4 B
B28L	Sensor, chassis level, front axle left	EB 1 E
B28L	Sensor, chassis level, front axle left	EH 1 E
B30A	SENSOR, CHASSIS LEVEL DRIVE AXLE	EB 2 E
B30A	SENSOR, CHASSIS LEVEL DRIVE AXLE	EH 2 E
B39	SENSOR AIR RESTRICTION	BB 3 B
B49	SENSOR, STEERING ANGLE	ED 1 D
B50	SENSOR, YAW-RATE ESP	ED 2 D
B55A	SENSOR, AIR PRESSURE, SUSPENSION BELLOWS,	EB 0 D
B55A	SENSOR, AIR PRESSURE, SUSPENSION BELLOWS,	EH 0 D
B55B	SENSOR, AIR PRES. SUSP. BELLOWS AUX. AXLE	EH 0 D
B56	Sensor, air pressure, suspension bellows	BA 1 D
B58A	SENSOR, AIR PRESSURE, SUSPENSION BELLOWS,	EB 1 D
B58A	SENSOR, AIR PRESSURE, SUSPENSION BELLOWS,	EH 1 D
B58R	SENSOR AIR PRESSURE REAR SUSPENSION	BA 2 D
B59	Sensor, Indoor Temp.	HA 2 B
B60A	SPEAKER LEFT DASH	KE 2 D
B60A	SPEAKER LEFT DASH	KF 4 E
B60A	SPEAKER LEFT DASH	KG 1 D
B60A	SPEAKER LEFT DASH	KL 0 E
B60A	SPEAKER LEFT DASH	KM 4 E
B60A	SPEAKER LEFT DASH	KN 1 D
B60B	SPEAKER RIGHT DASH	KE 1 D
B60B	SPEAKER RIGHT DASH	KF 2 E
B60B	SPEAKER RIGHT DASH	KG 1 D
B60B	SPEAKER RIGHT DASH	KL 2 E
B60B	SPEAKER RIGHT DASH	KM 2 E
B60B	SPEAKER RIGHT DASH	KN 2 E
B60C	SPEAKER LEFT DOOR	KE 0 D
B60C	SPEAKER LEFT DOOR	KG 0 D
B60C	SPEAKER LEFT DOOR	KL 3 E
B60C	SPEAKER LEFT DOOR	KN 0 E
B60CA	SPEAKER, LEFT DOOR COMBO	KF 4 D
B60CA	SPEAKER, LEFT DOOR COMBO	KM 4 E

COMPONENT	DESCRIPTION	PAGE
B60D	SPEAKER RIGHT DOOR	KE 0 D
B60D	SPEAKER RIGHT DOOR	KG 0 D
B60D	SPEAKER RIGHT DOOR	KL 3 E
B60D	SPEAKER RIGHT DOOR	KN 0 E
B60DA	SPEAKER, RIGHT DOOR COMBO	KF 3 E
B60DA	SPEAKER, RIGHT DOOR COMBO	KM 2 E
B60E	SPEAKER LEFT UPPER	KF 0 D
B60E	SPEAKER LEFT UPPER	KM 0 E
B60F	SPEAKER RIGHT UPPER	KF 0 D
B60F	SPEAKER RIGHT UPPER	KM 0 E
B60G	SPEAKER LEFT LOWER	KG 2 D
B60G	SPEAKER LEFT LOWER	KN 3 E
B60H	SPEAKER RIGHT LOWER	KG 3 D
B60H	SPEAKER RIGHT LOWER	KN 3 E
B60I	SPEAKER SUBWOOFER	KG 3 D
B60I	SPEAKER SUBWOOFER	KN 3 E
B60J	SPEAKER LEFT UPPER	KF 1 D
B60J	SPEAKER LEFT UPPER	KM 1 E
B60K	SPEAKER RIGHT UPPER	KF 1 D
B60K	SPEAKER RIGHT UPPER	KM 1 E
B60L	Speaker Rear Wall Left	KF 0 B
B60LR H2	SPEAKER LEFT REAR	KM 0 B
B60LR H4	SPEAKER LEFT REAR	KM 0 C
B60M	Speaker Rear Wall Right	KF 0 B
B60N	SPEAKER, LEFT UPPER	KG 4 D
B60N	SPEAKER, LEFT UPPER	KN 4 C
B60P	SPEAKER, RIGHT UPPER	KG 4 D
B60P	SPEAKER, RIGHT UPPER	KN 4 C
B60RR H2	SPEAKER RIGHT REAR	KM 1 B
B60RR H4	SPEAKER RIGHT REAR	KM 1 C
B61B	TWEETER RIGHT DASH	KE 1 D
B61B	TWEETER RIGHT DASH	KF 2 E
B61B	TWEETER RIGHT DASH	KG 2 D
B61B	TWEETER RIGHT DASH	KL 3 E
B61B	TWEETER RIGHT DASH	KM 2 E
B61B	TWEETER RIGHT DASH	KN 1 E
B61L D	TWEETER LEFT DASH	KE 2 E
B61L D	TWEETER LEFT DASH	KF 3 E
B61L D	TWEETER LEFT DASH	KG 0 D
B61L D	TWEETER LEFT DASH	KL 0 E
B61L D	TWEETER LEFT DASH	KM 3 E
B61L D	TWEETER LEFT DASH	KN 0 D
B62	Loudspeaker, (handsfree)	KG 4 C
B62	Loudspeaker, (handsfree)	KN 3 A
B63	Microphone, (handsfree)	KD 2 B
B63	Microphone, (handsfree)	KG 3 B
B63	Microphone, (handsfree)	KN 4 B
B67	Rear view camera	KO 2 D
B68	Sensor, output shaft speed, gearbox	AI 0 C
B68	Sensor, output shaft speed, gearbox	CL 1 B

0

1

2

3

4

## COMPONENTS

COMPONENT	DESCRIPTION	PAGE
B68	Sensor, output shaft speed, gearbox	CN 2 C
B68 B	Sensor, output shaft speed, gearbox	AI 1 C
B70	Sensor, wheel speed, lhs. pusher axle	EE 1 D
B71	Sensor, wheel speed, rhs. pusher axle	EE 2 D
B80	SENSOR, ETHER START	CA 1 B
B82A	SENSOR, ACC RADAR FLR-20	JE 1 D
B121	Sensor, Low level washer fluid	GP 3 B
B122A	SENSOR EXHAUST TEMP. CATALYST	CL 2 B
B122B	SENSOR CATALYST OUTLET TEMP. 2	CL 2 E
B123	SENSOR LOW COOLANT	CB 2 D
B123A	SENSOR, LOW COOLANT	CB 3 D
B123B	SENSOR, LOW COOLANT	CC 1 D
B123B	SENSOR, LOW COOLANT	CN 0 C
B123C	SENSOR LOW COOLANT	CL 2 E
B124RC	SENSOR OIL TEM RC AXLE	BB 5 B
B124RF	SENSOR OIL TEMP RF AXLE	BB 5 C
B124RR	SENSOR OIL TEMP RR AXLE	BB 5 C
B142C	Sensor, AdBlue level and temperature	CF 1 B
B142C	Sensor, AdBlue level and temperature	CG 1 A
B142C	Sensor, AdBlue level and temperature	CP 3 A
B152	SENSOR, BRAKE AIRPRESSURE, FRONT	ED 3 C
B153	SENSOR, BRAKE AIRPRESSURE, REAR	ED 3 C
B164L	Loudspeaker, left	BB 4 D
B164L	Loudspeaker, left	KE 2 D
B164L	Loudspeaker, left	KF 3 D
B164L	Loudspeaker, left	KG 1 E
B164L	Loudspeaker, left	KL 0 D
B164L	Loudspeaker, left	KM 3 E
B164L	Loudspeaker, left	KN 1 E
B164R	Loudspeaker, right	BB 4 E
B164R	Loudspeaker, right	KE 1 D
B164R	Loudspeaker, right	KF 1 D
B164R	Loudspeaker, right	KG 2 D
B164R	Loudspeaker, right	KL 1 E
B164R	Loudspeaker, right	KM 2 D
B164R	Loudspeaker, right	KN 2 E
B168	QUALCOMM LOUDSPEAKER	BE 3 C
B177	SENSOR AIR PRESSURE, SUSPENSION BELLOWS,	ED 3 C
B185A	SENSOR OXYGEN OUTLET EGO	CL 1 D
B191	Sensor, assembly, DPF temp, pressure, NOX	CD 4 A
B206	SENSOR ASSEMBLY DPF, TEMP, PRESSURE	CC 2 D
B235	Sensor, LCS (Lane Change Support with Fa	JF 1 C
B243	Sensor, rain	GB 3 B
B300B	METHANE SENSOR ENGINE	CM 4 D
B319	SENSOR ALARM CO	CM 1 E
E05A	5TH WHEEL LAMP	GG 1 C
E05A	5TH WHEEL LAMP	GH 2 C
E05B	5:TH WHEEL LAMP HIGH	GH 0 C
E05C	5TH WHEEL LAMP,DUAL	GG 2 C
E05C	5TH WHEEL LAMP,DUAL	GH 0 C

COMPONENT	DESCRIPTION	PAGE
E05D	5TH WHEEL LAMP,DUAL	GG 2 C
E05D	5TH WHEEL LAMP,DUAL	GH 1 C
E05G	LAMPS, FUEL GANTRY	GG 2 A
E05J	LAMP 5TH WHEEL	GG 3 C
E05J	LAMP 5TH WHEEL	GH 3 C
E05K	5TH WHEEL LAMP	GG 1 C
E05K	5TH WHEEL LAMP	GH 1 C
E05L	LAMP 5TH WHEEL	GG 4 C
E05L	LAMP 5TH WHEEL	GH 3 C
E06LED	LAMP LED BACKUP	GK 2 E
E07L	Lamp, fog light, left	GE 2 C
E07R	Lamp, fog light, right	GE 2 C
E08L	Lamp, parking light, front, left	GE 2 C
E08R	Lamp, parking light, front, right	GE 2 C
E10	LAMP, TAIL LIGHT	GF 3 B
E10L	LAMP TAIL LIGHT LEFT	GF 3 D
E10R	LAMP TAIL LIGHT RIGHT	GF 4 D
E11L	LAMP, SIDE REPEATER D.S.	GA 2 D
E11L	LAMP, SIDE REPEATER D.S.	IE 2 C
E11LF	Lamp, side marker light, left front	GD 3 B
E11R	Lamp, Side Repeater	GA 2 D
E11R	Lamp, Side Repeater	IE 2 C
E11R1	LAMP MARKER RIGHT SIDE	GA 0 C
E11RF	Lamp, side marker light, right front	GD 3 B
E12A	LAMP MARKER	GC 1 D
E12B	LAMP MARKER	GC 1 D
E12C	LAMP MARKER	GC 2 D
E12D	LAMP MARKER	GC 2 D
E12E	LAMP MARKER	GC 2 D
E14L	WARNING LAMP SNOWPLOW	GJ 1 D
E14R	WARNING LAMP SNOWPLOW	GJ 1 D
E16L	Lamp, Door instep light, left	IA 1 D
E16R	Lamp, Door instep light, right	IA 1 E
E17C	LAMP FLOURESCENT	HG 4 D
E17C H2	LAMP FLOURESCENT	HD 1 C
E17C H2	LAMP FLOURESCENT	HF 2 C
E17C H4	LAMP FLOURESCENT	HD 2 C
E17C H4	LAMP FLOURESCENT	HF 3 C
E17D	LAMP, WORKCENTRE FLUORESCENT	HE 3 C
E17D	LAMP, WORKCENTRE FLUORESCENT	HG 4 B
E17L	Lamp, interior light	IA 0 B
E17R	Lamp, interior light	IA 0 B
E18M	LAMP, UPPER D.S.	HD 1 C
E18M	LAMP, UPPER D.S.	HF 1 C
E22A	LAMP, ROOF SIGN ILLUMINATION	GC 0 D
E22B	LAMP, ROOF SIGN ILLUMINATION	GC 0 D
E22C	LAMP, ROOF SIGN ILLUMINATION	GC 0 D
E23C A	LAMP, LUGGAGE D.S.	HD 2 C
E23C A	LAMP, LUGGAGE D.S.	HF 2 B
E23C_A	LAMP, LUGGAGE D.S.	HG 5 C

COMPONENTS

COMPONENT	DESCRIPTION	PAGE
E23PS	LAMP LUGGAGE P S	HD 3 C
E23PS	LAMP LUGGAGE P S	HF 3 B
E23PS	LAMP LUGGAGE P S	HG 5 C
E24	Lamp, storage tray illumination	IA 4 C
E26L	Headlight module, left	GD 0 D
E26L_1	Lamp, Headlamp Module	GD 3 D
E26R	Headlight module, right	GD 2 D
E26R_1	Lamp, Headlamp Module	GD 4 D
E26VL	Headlight module, VTC, left	GD 0 C
E26VR	Headlight module, VTC, right	GD 1 C
E28A	PARK HEATER AUX AC	HJ 0 C
E28A	PARK HEATER AUX AC	HL 1 C
E32	HVAC UNIT	HB 3 D
E32	HVAC UNIT	HK 4 D
E35	HVAC Unit, Heat, Ventilation and Air Cond	HA 2 D
E36A	LAMP, SUNVISOR	GC 3 D
E36B	LAMP, SUNVISOR	GC 3 D
E36C	LAMP, SUNVISOR	GC 3 D
E36D	LAMP, SUNVISOR	GC 4 D
E36E	LAMP, SUNVISOR	GC 4 D
E37	Lamp, LECM panel	HG 3 B
E39	LAMP, LICENSE PLATE ILLUMINATION	GF 2 C
E43L	LAMP DRIVING FOG D S	GE 0 C
E43R	Lamp, Driving/Fog	GE 1 C
E53R	Lamp, Red lighting, right	HE 4 E
E55L	Lamp, Extra high beam, Left	GE 4 C
E55R	Lamp, Extra high beam, Right	GE 4 C
E81A	UNDER CAB EXT. LAMP	IH 0 D
E81B	UNDER CAB EXT. LAMP	IH 0 D
E81C	UNDER CAB EXT. LAMP	IH 1 D
E81D	UNDER CAB EXT. LAMP	IH 1 D
E81E	UNDER CAB EXT. LAMP	IH 1 D
E81F	UNDER CAB EXT. LAMP	IH 1 D
E81G	UNDER CAB EXT. LAMP	IH 2 D
E81H	UNDER CAB EXT. LAMP	IH 2 D
E81J	UNDER CAB EXT. LAMP	IH 2 D
E81K	UNDER CAB EXT. LAMP	IH 3 D
E82A	PARKING HEATER	HB 4 D
E82A	PARKING HEATER	HK 5 D
E91DS	Lamp, interior light, door	IA 0 D
E91PS	Lamp, interior light, door	IA 0 E
E109L	Lamp, door trim list, light guides, left	IA 0 D
E109R	Lamp, door trim list, light guides, right	IA 0 E
E110	Lamp, interior light, cup holder light	IA 4 C
E111	LED Module, Forward Collision Warning	BB 3 D
E123L	Lamp, front fog light, left	GE 3 C
E123R	Lamp, front fog light, right	GE 4 C
E130L	Lamp, Door Instep Lamp, left	IA 1 D
E130R	Lamp, Door Instep Lamp, right	IA 1 E
E147A	UNDER CAB EXT LAMP	IH 0 B

COMPONENT	DESCRIPTION	PAGE
E147B	UNDER CAB EXT LAMP	IH 1 B
E147C	UNDER CAB EXT LAMP	IH 1 B
E147D	UNDER CAB EXT LAMP	IH 1 B
E147E	UNDER CAB EXT LAMP	IH 1 B
E147F	UNDER CAB EXT LAMP	IH 2 B
E147J	UNDER CAB EXT LAMP	IH 2 B
E147K	UNDER CAB EXT LAMP	IH 2 B
E147L	UNDER CAB EXT LAMP	IH 2 B
E147M	UNDER CAB EXT LAMP	IH 3 B
E148A	LAMP LOWER D S	HD 2 D
E148A	LAMP LOWER D S	HF 3 D
E148B	LAMP UNDER CABINET D S	HD 4 C
E148B	LAMP UNDER CABINET D S	HF 4 C
E148C	LAMP UPPER D S	HG 3 B
E148D	LAMP UPPER P S	HG 3 B
E148E	LAMP LOWER D S	HE 2 C
E148E	LAMP LOWER D S	HG 3 C
E148F	LAMP LAMP P S	HE 2 C
E148F	LAMP LAMP P S	HG 4 C
E148G	LAMP UPPER P S	HF 2 D
E148H	LAMP UPPER D S	HF 2 D
E148J	LAMP LOWER D S	HD 3 D
E149	LAMP TABLE	HD 3 D
E149	LAMP TABLE	HF 3 D
F01	RH WINDOW/ MIRR.	AB 4 D
F01	RH WINDOW/ MIRR.	IC 3 A
F02	HVAC	AB 4 D
F02	HVAC	HA 0 A
F03	HEATED SEATS	AB 4 D
F03	HEATED SEATS	IR 2 A
F04	RADIO	AB 3 D
F04	RADIO	KE 1 A
F04	RADIO	KF 2 A
F04	RADIO	KG 1 A
F04	RADIO	KL 1 A
F04	RADIO	KM 2 A
F04	RADIO	KN 1 A
F05	LECM4	AA 0 C
F05	LECM4	HB 3 A
F06	RH SLEEPER SOCKETS	AA 0 C
F06	RH SLEEPER SOCKETS	IG 2 A
F07	LH SLEEPER SOCKETS	AA 0 C
F07	LH SLEEPER SOCKETS	IG 3 A
F08	AUX SW 1 & 2 / BRIGHTWORK	AA 1 C
F08	AUX SW 1 & 2 / BRIGHTWORK	NA 1 A
F09	USB CHARGE PORTS	AA 1 C
F09	USB CHARGE PORTS	IG 4 A
F10	CUST. LVD2	AA 1 C
F10	CUST. LVD2	AQ 3 A
F11	OPEN	AB 3 D

## COMPONENTS

COMPONENT	DESCRIPTION	PAGE
F12	DASH SOCKETS	AB 3 D
F12	DASH SOCKETS	IG 0 A
F13	LH WINDOW/ MIRR.	AB 3 D
F13	LH WINDOW/ MIRR.	IC 1 A
F14	OPEN	AB 4 D
F15	LECM1	AA 1 C
F15	LECM1	HB 2 A
F16	O-H SOCKET	AA 2 C
F16	O-H SOCKET	IG 1 A
F17	AUX . SW ES 3 & 4	AA 2 C
F17	AUX . SW ES 3 & 4	NA 3 A
F18	LECM HVAC FAN	AA 2 C
F18	LECM HVAC FAN	HB 3 A
F19	ROOF SIGN/ BBM	AA 2 C
F19	ROOF SIGN/ BBM	BH 0 A
F19	ROOF SIGN/ BBM	GC 1 B
F20	HORN	AA 0 A
F20	HORN	GQ 1 A
F21	QUAL COMM	AB 3 B
F21	QUAL COMM	BE 3 B
F22	CB POWER STUDS	AA 3 C
F22	CB POWER STUDS	IG 1 A
F23	CUST. IGN3	AB 0 C
F23	CUST. IGN3	AQ 4 A
F24	OPEN P. S. SEAT SUSPENSION	AA 3 C
F24	OPEN P. S. SEAT SUSPENSION	IS 2 B
F25	DCP OPEN TGW	DCP 3 D
F26	DOME/ DOOR INT LAMPS	AA 3 C
F26	DOME/ DOOR INT LAMPS	IA 1 A
F26	DOME/ DOOR INT LAMPS	IH 4 A
F27	LCM3	AA 0 A
F27	LCM3	GB 2 A
F28	CUST. LVD1	AA 3 C
F28	CUST. LVD1	AQ 3 A
F29	EFRC	AA 2 D
F29	EFRC	AC 2 A
F30	ULTRA SHIFT	AB 3 B
F30	ULTRA SHIFT	DB 3 B
F31	CUMMINS IGN 1	AB 3 B
F31	CUMMINS IGN 1	BY 1 B
F31	CUMMINS IGN 1	CC 3 A
F31	CUMMINS IGN 1	CL 0 B
F31	CUMMINS IGN 1	CN 2 C
F32	CUST. IGN1	AB 1 C
F32	CUST. IGN1	AQ 4 A
F33	AIR SOL/SW	AB 2 C
F33	AIR SOL/SW	BA 3 A
F33	AIR SOL/SW	FC 1 A
F33	AIR SOL/SW	FD 2 A
F33	AIR SOL/SW	FF 1 A

COMPONENT	DESCRIPTION	PAGE
F34	OPEN	AB 0 C
F35	BB IGN-X	AB 3 C
F35	BB IGN-X	BH 0 A
F36	MOBILEMAX/ PEOPLENET QUALCOM/ QUALCOMM TE	AB 1 C
F36	MOBILEMAX/ PEOPLENET QUALCOM/ QUALCOMM TE	BE 2 A
F36	MOBILEMAX/ PEOPLENET QUALCOM/ QUALCOMM TE	BF 2 A
F36	MOBILEMAX/ PEOPLENET QUALCOM/ QUALCOMM TE	BJ 1 A
F37	FUME DETECTOR	AB 2 C
F37	FUME DETECTOR	CM 0 A
F38	LECM / AUX AC	AB 2 C
F38	LECM / AUX AC	HB 3 A
F38	LECM / AUX AC	IS 1 B
F39	VDS	AA 2 D
F39	VDS	FH 1 A
F40	LCP.LCM/ CLU	AA 2 D
F40	LCP.LCM/ CLU	GA 1 A
F41	ABS	AA 0 A
F41	ABS	EC 2 A
F42	DISPLAY OPEN TTU	AA 0 A
F42	DISPLAY OPEN TTU	BF 1 A
F43	LECM2	AA 0 A
F43	LECM2	HB 2 A
F44	KEY SW.	AA 1 A
F44	KEY SW.	AQ 1 A
F45	IC OPEN	AB 3 B
F46	BB IGN/ CAMERA PREP	AB 0 C
F46	BB IGN/ CAMERA PREP	BH 1 A
F47	BB IGN-Y	AB 3 C
F47	BB IGN-Y	BH 1 A
F48	HEATED WINDSHIELD	AB 1 C
F48	HEATED WINDSHIELD	IB 2 A
F49	REVERSE LAMPS/ LIFT AXLES	AB 2 C
F49	REVERSE LAMPS/ LIFT AXLES	GK 1 A
F50	I-SHIFT TECU	AA 2 B
F50	I-SHIFT TECU	DA 0 B
F51	I-SHIFT GECU	AA 2 B
F51	I-SHIFT GECU	DA 1 B
F52	IC	AA 1 A
F52	IC	BA 0 A
F53	BBM BBM/ IC	AB 1 B
F53	BBM BBM/ IC	AG 0 B
F53	BBM BBM/ IC	BA 0 A
F54	TRANS	AB 1 B
F54	TRANS	AG 0 B
F54	TRANS	AK 1 A
F54	TRANS	DA 1 A
F54	TRANS	DF 1 A
F55	OPEN	AA 2 D
F56	BENDIX FUSION	AA 2 D
F56	BENDIX FUSION	JG 0 B

## COMPONENTS

COMPONENT	DESCRIPTION	PAGE
F57	SNOW PLOW LAMPS LH	AA 3 D
F57	SNOW PLOW LAMPS LH	GI 2 A
F58	SNOW PLOW LAMPS RH	AA 3 D
F58	SNOW PLOW LAMPS RH	GI 1 A
F59	SEAT SRS	AA 3 D
F59	SEAT SRS	JH 1 A
F60	HVAC FAN	AA 1 A
F60	HVAC FAN	HA 0 A
F61	LVD SENS/ VENDOR TTU	AA 1 A
F61	LVD SENS/ VENDOR TTU	BE 2 A
F61	LVD SENS/ VENDOR TTU	BF 1 A
F61	LVD SENS/ VENDOR TTU	BY 1 A
F62	OPEN	AB 0 C
F63	CUST. IGN2	AB 0 C
F63	CUST. IGN2	AQ 4 A
F64	OPEN	AB 1 C
F65	OPEN	AB 1 C
F66	I-SHIFT	AA 2 A
F66	I-SHIFT	DA 0 A
F67	OPEN	AA 2 A
F68	RADIO	AA 2 A
F68	RADIO	KE 1 A
F68	RADIO	KF 2 A
F68	RADIO	KG 1 A
F68	RADIO	KL 1 A
F68	RADIO	KM 2 A
F68	RADIO	KN 1 A
F69	VECU/ENG BRK SW	AB 1 B
F69	VECU/ENG BRK SW	AG 0 B
F70	PTO	AB 1 B
F70	PTO	BM 1 A
F70	PTO	DP 2 A
F71	OPEN	AA 2 A
F72	SRS	AA 3 D
F72	SRS	JA 3 A
F73	ACC / SIDE SENSE ECS	AA 3 D
F73	ACC / SIDE SENSE ECS	EB 3 A
F73	ACC / SIDE SENSE ECS	EH 3 A
F73	ACC / SIDE SENSE ECS	JE 1 A
F74	IGN TABS6	AA 4 D
F74	IGN TABS6	EE 1 A
F75	WIPER	AA 4 D
F75	WIPER	GP 0 A
F76	DS OPEN SEAT SUSPENSION	AA 2 A
F76	DS OPEN SEAT SUSPENSION	IS 0 B
F77	BENDIX FUSION	AA 2 A
F77	BENDIX FUSION	JG 0 A
F78	LCM2	AA 3 A
F78	LCM2	GB 2 B
F79	LCM4	AA 3 A

COMPONENT	DESCRIPTION	PAGE
F79	LCM4	GB 2 B
F80	DIAGNOSTIC CONN	AA 3 A
F80	DIAGNOSTIC CONN	XB 2 A
F80	DIAGNOSTIC CONN	XJ 3 B
F81	LCM1	AA 3 A
F81	LCM1	GB 2 A
F82	LCM6	AA 3 A
F82	LCM6	GB 2 A
F83	LCM5	AA 4 A
F83	LCM5	GB 2 B
F84	POWER DOOR LOCKS	AA 4 A
F84	POWER DOOR LOCKS	IF 2 A
F85	TGW	AA 4 A
F85	TGW	BJ 1 A
F86	ECS/ BEACON LAMPS	AA 4 A
F86	ECS/ BEACON LAMPS	EB 4 A
F86	ECS/ BEACON LAMPS	EH 4 A
F86	ECS/ BEACON LAMPS	GJ 1 A
F87	CUST. BAT1	AA 4 A
F87	CUST. BAT1	AQ 3 A
FB8	FUSE REMOTE SENSE ALT.	AM 0 D
FB08	FUSE METHANE DETECTION L.H. BBOX	CM 4 B
FB09	FUSE INVERTER	HI 1 B
FE1	TRAILER STOP RELAY	AC 0 B
FE1	TRAILER STOP RELAY	MA 1 A
FE2	RELAY TRAILER CLEARANCE	AC 1 B
FE2	RELAY TRAILER CLEARANCE	MA 1 A
FE3	RELAY TRAILER MARKER	AC 1 B
FE3	RELAY TRAILER MARKER	MA 2 A
FE4	EMS MAIN VOLVO/ CUMMINS	AC 1 C
FE4	EMS MAIN VOLVO/ CUMMINS	AG 2 B
FE5	ACM EMS	AC 2 C
FE5	ACM EMS	AG 3 A
FE5	ACM EMS	BP 2 A
FE6	VECU/ WATER IN FUEL SW/ ENG. BRAKE	AC 2 C
FE7	OPEN	AC 2 C
FE8	EMS COM 1	AC 2 C
FE8	EMS COM 1	AG 3 A
FE9	EMS COMP 2	AC 3 C
FE9	EMS COMP 2	AG 4 A
FE10	TRAILER AUX/ABS	AC 3 C
FE10	TRAILER AUX/ABS	MA 3 A
FE11	ABS IGN	AC 3 C
FE11	ABS IGN	EC 2 A
FE12	FUEL HEAT	AC 3 C
FE12	FUEL HEAT	CE 2 A
FE13	AIR DRYER	AC 3 C
FE13	AIR DRYER	FA 2 A
FE14	TPM	AC 4 C
FE14	TPM	FG 0 A

0

1

2

3

4

## COMPONENTS

COMPONENT	DESCRIPTION	PAGE
FE15	LNG FAN	AC 4 C
FE16	FAN FUEL COOLER	AC 4 C
FE17	BRK CES/ LNG/ SPARE	AD 0 B
FE17	BRK CES/ LNG/ SPARE	CP 3 A
FE18	CUMMINS EXPORT ISX ISX-G ISX/	AD 0 B
FE18	CUMMINS EXPORT ISX ISX-G ISX/	CC 4 A
FE19	AUTO TRANS: ALLISON/ EATON	AD 1 B
FE19	AUTO TRANS: ALLISON/ EATON	DB 3 B
FE19	AUTO TRANS: ALLISON/ EATON	DF 0 A
FE20	TRAILER LEFT TURN	AD 1 B
FE20	TRAILER LEFT TURN	MA 3 B
FE21	TRAILER RIGHT TURN	AD 1 B
FE21	TRAILER RIGHT TURN	MA 3 B
FE22	SPARE	AD 1 B
FE23	SPARE	AD 2 B
FE24	VDS	AD 2 B
FE24	VDS	FH 0 A
FE25	UREA HEATED LINES	AD 0 B
FE25	UREA HEATED LINES	CP 1 A
FEM01	FUSE MAIN POWER	AM 2 A
FEM01	FUSE MAIN POWER	AQ 2 A
FEM02	FUSE, GROUND PROTECTION	AN 2 C
FEM03A	CIRCUIT BREAKER LIFT GATE	ND 1 D
FEM03B	CIRCUIT BREAKER LIFT GATE	ND 2 D
FFB06A	AUX BATT TO PARK HTR	HJ 2 B
FFB06A	AUX BATT TO PARK HTR	HL 3 B
FFB07A	AUX BATT TO BATT MONITOR	HJ 3 B
FFB07A	AUX BATT TO BATT MONITOR	HL 4 B
FFB08A	FUSE, INLINE LVD TO BATTERY MONITOR	HJ 3 B
FFB08A	FUSE, INLINE LVD TO BATTERY MONITOR	HL 4 B
FM08A	TRUCK BATT TO BATT MONITOR FUSE	HJ 4 D
FM08A	TRUCK BATT TO BATT MONITOR FUSE	HL 4 D
FM A5	FUSE AUX AC	HJ 2 B
FM A5	FUSE AUX AC	HL 3 B
FT01	FUSE ACM	CF 0 B
FT01	FUSE ACM	CG 0 B
FT02	Fuse Clutch Power	DB 0 D
FT03	FUSE DISCONNECT SOLENOID	AM 2 E
FT04	FUSE DISCONNECT SWITCH	AM 3 E
G01	Battery	AE 0 E
G01	Battery	AF 2 D
G01	Battery	AL 0 C
G01	Battery	AM 1 D
G01	Battery	AN 0 D
G01	Battery	AQ 3 B
G01	Battery	CF 0 B
G01	Battery	CG 0 B
G01	Battery	CL 4 A
G01	Battery	CN 4 B
G01	Battery	HI 1 B

COMPONENT	DESCRIPTION	PAGE
G01	Battery	HJ 4 E
G01	Battery	HL 5 E
G01	Battery	ND 1 D
G01B	Battery Ring Battery 2	BL 2 B
G01C	Battery Ring Battery 3	BL 1 C
G01D	Battery 4	BL 1 D
G01E	BATTERY 1	BL 1 B
G01F	Battery	HJ 2 C
G01F	Battery	HL 3 C
G02	Alternator	AE 2 A
G02	Alternator	AF 2 C
G02	Alternator	AL 1 A
G02	Alternator	AM 1 B
G02	Alternator	AN 1 A
G03H	INVERTER, 12VDC - 120VAC	HI 0 B
G04	POWER DISTRIBUTION UNIT, 120VAC	HC 1 B
G04	POWER DISTRIBUTION UNIT, 120VAC	HI 2 B
H02A	HORN DUAL TONE 1	GQ 1 D
H02A S	CITY HORN SERVICE	GQ 4 E
H03	BACKUP ALARM	GF 3 D
H03	BACKUP ALARM	GK 3 E
H16	METHANE FUME DETECTOR	CM 1 B
H17	METHANE DETECTION STATUS	CM 3 B
L E10LED	LH LED TAIL LAMP	GF 0 C
M01	WINDSHIELD WIPER MOTOR	GP 2 D
M02A	Windscreen washer pump VN	GP 3 B
M04	Motor, starter motor	AE 1 B
M04	Motor, starter motor	AF 2 A
M04	Motor, starter motor	AK 2 B
M04	Motor, starter motor	AL 0 A
M04	Motor, starter motor	AM 0 A
M04	Motor, starter motor	AN 0 B
M04	Motor, starter motor	BP 3 B
M04A	MOTOR STARTER TC	AF 3 A
M04B	MOTOR STARTER CUMMINS	AM 1 A
M06DS	Motor, Window Winder D.S.	IC 2 A
M06PS	Motor, Window Winder P.S.	IC 3 A
M41	Motor Pump, Urea	CN 2 C
M55	Condensor Fan, Parking Cooler	HJ 1 D
M55	Condensor Fan, Parking Cooler	HL 1 D
M105DS	DOOR LOCK CONT ASSY D S	IA 3 D
M105DS	DOOR LOCK CONT ASSY D S	IF 1 D
M105PS	DOOR LOCK CONT ASSY P S	IA 3 D
M105PS	DOOR LOCK CONT ASSY P S	IF 2 D
M106DS	MIRROR MOTORS/ HEATERS D S	IE 1 C
M106PS	MIRROR MOTORS/ HEATERS P S	IE 3 C
M110L	Mirror Motors & Heater, LHS	IC 0 B
M110R	Mirror Motors & Heater, RHS	IC 4 B
OBD-II	ON-BOARD-DIAGNOSTICS VENDEND	XB 3 D
OBD-II	ON-BOARD-DIAGNOSTICS VENDEND	XJ 3 D

0

1

2

3

4

## COMPONENTS

COMPONENT	DESCRIPTION	PAGE
P03	INVERTER DISPLAY	HI 0 C
R01A	Heater Engine Preheat 110V	CA 2 D
R05A	AIR DRYER	FA 2 C
R05C	AIR DRYER	FA 3 C
R08	Termination resistor, CAN-bus	XE 4 B
R08	Termination resistor, CAN-bus	XG 4 A
R08	Termination resistor, CAN-bus	XH 4 C
R08B	TERM RESISTOR	BF 2 A
R08C	TERMINATING RESISTOR	XC 4 C
R08H	TERMINATING RESISTOR	BA 1 A
R08I	TERMINATING RESISTOR	CP 2 B
R08M	TERMINATING RESISTOR CAN-BUS	XA 0 C
R09	Heater, fuel filter	CE 2 C
R09B	HEATER, FUEL FILTER	CE 2 C
R15	Windscreen heater	IB 2 D
R21	Termination resistor	XA 4 D
R21	Termination resistor	XJ 3 B
R21A	TERM RESISTOR	XB 1 D
R21A	TERM RESISTOR	XJ 1 D
R21B	TERMINATING RESISTOR DL10	XJ 0 B
R29	Heater, NOxCare tank to pump hose	CP 1 C
R29A	Heater, fuel filter	CF 4 E
R29A	Heater, fuel filter	CG 4 E
R30	Heater, fuel filter	CP 2 C
R31	Heater, NOxCare pump to injector hose	CP 1 C
R31A	HEATER UREA HOSE	CF 3 E
R31A	HEATER UREA HOSE	CG 4 E
R58L	Heater, rear-view mirror	IC 0 D
R58R	Heater, rear-view mirror	IC 4 D
R91	VDS CAN Termination	FH 2 D
R92L	HEATED SEAT LEFT	IR 2 D
R92R	HEATED SEAT RIGHT	IR 2 D
R E10LED	RH LED TAIL LAMP	GF 1 C
RE01	RELAY, TRAILER STOP	AC 0 C
RE01	RELAY, TRAILER STOP	MA 0 B
RE02	RELAY TRAILER CLEARANCE	AC 1 C
RE02	RELAY TRAILER CLEARANCE	MA 1 B
RE03	RELAY TRAILER MARKER	AC 1 C
RE03	RELAY TRAILER MARKER	MA 2 B
RE04	EFRC RELAY, EMS	AC 2 C
RE04	EFRC RELAY, EMS	AG 2 B
RE05	EFRC RELAY, IGN	AC 2 C
RE06	RELAY BRK CAND CONDITIONER/ SRVC TABS6	AD 2 B
RE06	RELAY BRK CAND CONDITIONER/ SRVC TABS6	AK 2 D
RE06	RELAY BRK CAND CONDITIONER/ SRVC TABS6	BP 2 B
RE07	VOLVO FUEL COOLER CUMMINS DEF MODE	AD 3 B
RE07	VOLVO FUEL COOLER CUMMINS DEF MODE	CN 1 B
RE08	CES SPARE	AD 2 D
RE08	CES SPARE	CP 3 B
RE09	UREA HEATER TANK TO PUMP	AD 0 D

COMPONENT	DESCRIPTION	PAGE
RE09	UREA HEATER TANK TO PUMP	CP 1 B
RE10	UREA HEATER PUMP TO INJ.	AD 1 D
RE10	UREA HEATER PUMP TO INJ.	CP 1 B
RE11	UREA HEATER BACKFLOW	AD 1 D
RE11	UREA HEATER BACKFLOW	CP 2 B
S01	Switch, main lighting, selector type	GA 1 A
S04	SWITCH, CLIMATE FAN SELECTOR TYPE	HB 0 B
S04	SWITCH, CLIMATE FAN SELECTOR TYPE	HK 1 B
S05A	SWITCH, INTERIOR LIGHTING	HD 0 B
S05A	SWITCH, INTERIOR LIGHTING	HF 0 B
S05A	SWITCH, INTERIOR LIGHTING	HG 2 D
S06	Stalk switch, windscreen wiper, selector	BA 2 B
S07	SWITCH, ENGINE BRAKE SELECTOR TYPE	AJ 2 C
S07B	SWITCH, ENGINE BRAKE ON/OFF	AJ 2 B
S08	SWITCH, DIFFERENTIAL GEAR LOCK, INTERWHEEL	FD 1 B
S09	SWITCH, DIFFERENTIAL GEAR LOCKS, INTERAXLE	FD 2 B
S11A	SWITCH, LIFT AXLE	FB 0 C
S11B	SWITCH, LIFT AXLE	FB 1 C
S11C	SWITCH, LIFT AXLE	FB 2 C
S11E	SWITCH, SUSP. CTRL. UP/DOWN	EB 3 D
S11E	SWITCH, SUSP. CTRL. UP/DOWN	EH 3 D
S12	SWITCH, SNOWPLOW LAMP	GI 2 B
S15	Switch, Key switch	AQ 1 B
S28A	Switch, power take off 1	DP 2 C
S28B	Switch, power take off 2	DP 3 C
S28C	Switch, power take off 3	DP 4 C
S28J	SWITCH, DUAL PTO ISHIFT	BM 3 B
S31	SWITCH, TCS (TRACTION CONTROL SYSTEM)	EC 3 B
S41	Switch, battery main switch control	AM 1 B
S43	PRESSURE SWITCH, PARKING BRAKE INDICATOR, AH	4 D
S43A	SWITCH, PRESSURE PARK BRAKE, N.C.	DF 2 E
S43B	PRESSURE SWITCH, PARK BRAKE N.C.	DB 2 D
S43C	TRAILER PARK DETECTION SWITCH, N.C.	GA 3 B
S45BB	VOLVO	BB 2 B
S45BC	ROCKWELL	BB 2 B
S48A	PRESS SW, BRAKELIGHT N/O	GB 2 E
S49	Position switch, reverse lamps, NO.	GK 0 A
S58	Position Switch, Clutch Pedal	AI 3 B
S59	Position switch, brake pedal, NO.	AI 3 C
S61A	Position Switch, Seat Belt Lock, NO	IR 1 D
S75	SWITCH, BEACON WARNING LIGHT	GJ 1 B
S76	SWITCH, SPOTLIGHTS	GG 0 C
S80DS	SWITCH DRIVER DOOR CONT PANEL	IC 1 B
S80PS	SWITCH PASS. DOOR CONT PANEL	IC 3 B
S89	Position switch, Hood tilt	BM 5 B
S93	SWITCH, SUSPENSION DUMP	FC 0 B
S94A	SWITCH 5TH WHEEL SLIDE	FC 2 B
S97	SWITCH, INSIDE/OUTSIDE AIR CLEANER	CH 2 B
S101	Switch Electric Clutch UltraShift Plus	DB 0 C
S104A	SWITCH, AUX 1	NA 1 C



## COMPONENTS

COMPONENT	DESCRIPTION	PAGE
S104B	SWITCH, AUX 2	NA 2 C
S104C	SWITCH, AUX 3	NA 3 C
S104D	SWITCH, AUX 4	NA 4 C
S115	Switch, Door lock	IF 3 C
S169	Switch, Battery Main	AF 2 B
S169	Switch, Battery Main	AM 1 C
S169	Switch, Battery Main	AQ 3 B
S169	Switch, Battery Main	HI 1 A
S169A	SW, BATT BI-STABLE	AM 3 D
S171	SWITCH, GEAR LEVER I-SHIFT	DA 1 D
S171A	SWITCH GEAR LEVER I-SHIFT PUSH BUTTON	DA 3 D
S202	Switch, LDWS, Lane Departure Warning Sys	JG 0 B
S212	SWITCH HILL ASSIST	EC 4 B
S223	SWITCH, ECO ROLL	AH 1 E
S234A	SWITCH, HEATED WINDSHIELD	IB 2 B
S283	Switch, interior light, storage, rear she	HE 4 C
S283RR	Switch, interior light, storage, rear she	HE 4 B
S311	Switch, Alt. load distribution/Maximum tr	EH 3 B
S316	SWITCH ENGINE START ENGINE REAR	BM 3 A
S359	SWITCH, DRL OVERRIDE	GB 3 D
S365	SWITCH BRIGHTWORK LAMPS	IH 4 B
S369A	SW.IWDL 3RD AXLE ENGAGED	BB 1 A
S369F	SW.IWDL FRONT ENGAGED	BB 1 A
S369R	SW.IWDL REAR-REAR ENGAGED	BB 1 A
S370	SWITCH, AIR SUSP MANUAL CONTROL ON\OFF	EB 2 D
S370	SWITCH, AIR SUSP MANUAL CONTROL ON\OFF	EH 2 D
S371	SWITCH, DIFF LOCK EATON	BB 2 B
S431P	SWITCH PUSHER OVERRIDE	FE 1 B
S468	SWITCH TOUCH LOCK	FF 1 C
S493	SWITCH BRAKE AUTO NEUTRAL	DF 3 D
S519	SWITCH PRE-TRIP LAMP INSPECTION	BA 3 B
SK141A	SPLICE PACK, ILLUMINATION	BA 3 A
SK141A	SPLICE PACK, ILLUMINATION	BM 3 A
SK141A	SPLICE PACK, ILLUMINATION	DB 1 A
SK141A	SPLICE PACK, ILLUMINATION	DP 2 A
SK141A	SPLICE PACK, ILLUMINATION	GB 0 A
SK141A	SPLICE PACK, ILLUMINATION	HB 0 A
SK141A	SPLICE PACK, ILLUMINATION	IB 1 A
SK141A	SPLICE PACK, ILLUMINATION	IF 3 A
SK141A	SPLICE PACK, ILLUMINATION	IH 4 A
SK141A	SPLICE PACK, ILLUMINATION	JG 0 A
SK141B	SPLICE PACK, ILLUMINATION	AH 0 A
SK141B	SPLICE PACK, ILLUMINATION	AJ 1 A
SK141B	SPLICE PACK, ILLUMINATION	DE 4 A
SK141B	SPLICE PACK, ILLUMINATION	EB 4 A
SK141B	SPLICE PACK, ILLUMINATION	EC 3 A
SK141B	SPLICE PACK, ILLUMINATION	EH 4 A
SK141B	SPLICE PACK, ILLUMINATION	FC 2 A
SK141B	SPLICE PACK, ILLUMINATION	FD 0 A
SK141B	SPLICE PACK, ILLUMINATION	FE 1 A

COMPONENT	DESCRIPTION	PAGE
SK141B	SPLICE PACK, ILLUMINATION	FF 0 A
SK141B	SPLICE PACK, ILLUMINATION	GB 1 A
SK141B	SPLICE PACK, ILLUMINATION	HE 3 B
SK141B	SPLICE PACK, ILLUMINATION	NA 1 A
SK141C	SPLICE PACK ILLUMINATION	BM 3 A
SK141C	SPLICE PACK ILLUMINATION	CH 1 A
SK141C	SPLICE PACK ILLUMINATION	DA 1 A
SK141C	SPLICE PACK ILLUMINATION	DP 2 A
SK141C	SPLICE PACK ILLUMINATION	FB 0 A
SK141C	SPLICE PACK ILLUMINATION	GB 1 A
SK141C	SPLICE PACK ILLUMINATION	GI 2 A
TC01	J560 PLUG, 7 PIN	MA 0 D
TC02	J560 PLUG, 7 PIN	MA 2 D
TC03	J560 RECEPTACLE WITH QCS2, 7 PIN	MB 2 B
TC04	J560 PLUG, 7 PIN	MB 2 C
TC05	J560 PLUG, 7 PIN	MB 2 D
TC06	J560 PLUG, 7 PIN	MB 3 C
TC07	J560 PLUG, 7 PIN	MB 3 D
TC08	J560 RECEPTACLE WITH QCS2, 7 PIN	MB 0 D
TCBB02	BODY BUILDER JUNCTION BOX	MC 2 B
U01	STUD, POWER 1	AM 2 A
U01	STUD, POWER 1	AQ 2 A
U01	STUD, POWER 1	DB 0 B
V23	Diode, Water heater	CA 3 B
V32	LED, indicator, LCS (Lane Change support)	BB 3 D
X11	Connector, Engine	AK 1 B
X11	Connector, Engine	CB 1 C
X11	Connector, Engine	CD 1 C
X11	Connector, Engine	XD 1 B
X11	Connector, Engine	XF 4 D
X11	Connector, Engine	XI 1 B
X11A	CONNECTORS, CUMMINS ISX G ENGINE INTERFAC	CL 1 D
X11A	CONNECTORS, CUMMINS ISX G ENGINE INTERFAC	XH 0 B
X17A	Auxiliary Connector 1	NA 1 C
X17A1	CONNECTOR INTERNAL AUX SW POWER 1	NA 1 D
X17B	Auxiliary Connector 2	NA 2 C
X17B1	CONNECTOR INTERNAL AUX SW POWER 2	NA 2 D
X17C	Auxiliary Connector 3	NA 3 C
X17C1	CONNECTOR INTERNAL AUX SW POWER 3	NA 3 D
X17D	Auxiliary Connector 4	NA 4 C
X18	Fusible Link	AE 1 E
X18	Fusible Link	AL 0 B
X18	Fusible Link	AN 0 C
X18	Fusible Link	HJ 3 E
X18	Fusible Link	HL 3 E
X24	Socket, +12V Accessories power supply	IG 3 E
X35	Clockspring	BB 4 B
X41	B+, EJB	AA 1 A
X41	B+, EJB	AB 0 A
X41	B+, EJB	AQ 2 B

## COMPONENTS

COMPONENT	DESCRIPTION	PAGE
X41A	EJB B+ LVD	AA 0 B
X41A	EJB B+ LVD	AB 4 B
X41A	EJB B+ LVD	AQ 2 C
X62	Connector, Tail lift preparation	ND 1 C
X62A	Connector, Lift Gate	ND 2 B
X66A	USB PORT CHARGING	IG 4 B
X66B	USB PORT CHARGING	IG 4 C
X67	Connector, AUX, Audio	KE 3 B
X67	Connector, AUX, Audio	KL 4 B
X79	Connector, 12V, TV preparation kit	HE 2 B
X79	Connector, 12V, TV preparation kit	HF 1 D
X79	Connector, 12V, TV preparation kit	HG 3 B
X87	Connector, Cummins Crossover (14 way)	CP 4 D
X89	Connector, Water-in-fuel Sensor	CP 0 C
X90	Split connector, ground	AL 4 A
X91	Split connector, ground	AL 4 B
X92	Split connector, ground	AL 4 D
X93	Split connector, ground	AL 2 E
X94	Split connector, ground	AL 1 E
X95	Split connector, ground	AL 0 E
X117	Junction Box (1er)	AQ 3 B
X137A	STUD CAB GROUND	KE 2 C
X137A	STUD CAB GROUND	KF 4 C
X137A	STUD CAB GROUND	KG 3 D
X137A	STUD CAB GROUND	KL 3 D
X137A	STUD CAB GROUND	KM 4 C
X137A	STUD CAB GROUND	KN 3 C
X137B	CAB GND STUD	BE 2 E
X137B	CAB GND STUD	BF 3 B
X137B	CAB GND STUD	BJ 1 D
X145	Connector, USB	KO 2 A
X146A	CONNECTOR CUMMINS CES	CP 2 D
X194	CONNECTOR,TGW BODYBUILDER INTERFACE	BJ 2 E
X197	CONNECTOR EATS	CF 1 A
X197B	CONNECTOR EATS	CG 1 A
X200A	12V STUDS, CB DASH	IG 1 C
X200B	12V STUDS, CB OVERHEAD	IG 1 D
X201A	STUD BULKHEAD	JA 4 D
X203A	J1587 JUNCTION	XA 0 B
X203B	J1587 JUNCTION	XA 0 A
X203C	J1587 JUNCTION	XA 3 A
X203D	J1587 JUNCTION	XA 3 B
X204	12V SOCKET COOLER P S	IG 2 C
X205	12V, SOCKET PANEL	IG 2 E
X210	JUNCTION STARTER CABLES	AL 2 B
X210	JUNCTION STARTER CABLES	AM 4 C
X214	RS 232 PORT	JG 4 D
Y11	Solenoid valve unit, ABS, front left	EC 1 B
Y12	Solenoid valve unit, ABS, front right	EC 0 B
Y13	Solenoid valve unit, ABS, rear left	EC 1 A

COMPONENT	DESCRIPTION	PAGE
Y14	Solenoid valve unit, ABS, rear right	EC 0 D
Y15	Solenoid valve unit, ABS, lhs. 3:rd axle	EC 2 D
Y16	Solenoid valve unit, ABS, rhs. 3:rd axle	EC 2 D
Y18A	Solenoid valve, PTO1 (Power Take Off)	DP 1 D
Y18B	SOLENOID VALVE, DUAL PTO ENGINE MOUNTED	DP 4 D
Y18G	SOLENOID TRANS. PTO 1	DA 3 B
Y18G	SOLENOID TRANS. PTO 1	DP 0 D
Y18H	SOLENOID TRANS PTO 2	DA 3 B
Y18H	SOLENOID TRANS PTO 2	DP 0 B
Y25A	SOLENOID, LEVEL CONTROL DRIVE AXLES	EB 1 B
Y25A	SOLENOID, LEVEL CONTROL DRIVE AXLES	EH 1 B
Y29	Solenoid valve unit, trailing axle	EH 2 B
Y29A	SOLENOID, LEVEL CONTROL AUX. AXLE	EB 2 B
Y30A	Solenoid valve unit, gearbox	DA 4 C
Y35	Solenoid, Engine Fan	CB 2 B
Y35	Solenoid, Engine Fan	CC 2 A
Y35	Solenoid, Engine Fan	CL 3 E
Y35	Solenoid, Engine Fan	CN 0 B
Y35A	SOLENOID ENGINE FAN	CN 1 B
Y35E	SOLENOID, ENGINE FAN E-VISCO	CC 2 A
Y35E	SOLENOID, ENGINE FAN E-VISCO	CL 3 D
Y42	Clutch, magnetic, air conditioning compr	HA 1 D
Y51	Solenoid valve, Air dryer	FA 3 C
Y53	SOLENOID, ETHER START	CA 1 C
Y57A	SOLENOID VALVE TRACTION CONTROL ESP	ED 0 C
Y57B	SOLENOID VALVE DA TRACTION HSA CPC	EC 3 D
Y57C	SOLENOID VALVE SA TRACTION HSA	ED 0 D
Y64	Solenoid, Retarder Air Accumlator	DE 1 B
Y81	Solenoid valve, urea heating tank	CF 3 D
Y81	Solenoid valve, urea heating tank	CG 3 D
Y81A	Solenoid valve, urea heating tank	CP 1 C
Y100	SOLENOID VALVE TRAILER ABS ESP	ED 4 C
Y106	SOLENOID HILL ASSIST BRAKE	EC 3 D
Y195	SOLENOID B, 5TH Wheel RELEASE	FF 3 D
Z01	VEHICLE DIAGNOSTICS	XB 1 C
Z03A	BODY BUILDER CONNECTOR #1	BH 0 C
Z03B	BODY BUILDER CONNECTOR #2	BH 2 B
Z03C	BODY BUILDER CONNECTOR #3	BM 2 E
Z03D	BODY BUILDER CONNECTOR #4	BM 4 E
Z03E	CUMMINS EXP BODYBUILDER CONNECTOR	CC 3 A
Z04	BODY BUILDER CAMERA PREP	BH 1 B
Z05	Solenoid Pack	CH 3 D
Z05	Solenoid Pack	FB 1 D
Z05	Solenoid Pack	FC 3 D
Z05	Solenoid Pack	FD 2 D
Z05	Solenoid Pack	FE 2 D
Z05	Solenoid Pack	FF 1 D
Z05	Solenoid Pack	GQ 2 C
Z06	STEERING WHEEL CONTACT REEL	BA 2 A
Z06	STEERING WHEEL CONTACT REEL	BB 3 A

0

1

2

3

4

## COMPONENTS

COMPONENT	DESCRIPTION	PAGE
Z06	STEERING WHEEL CONTACT REEL	JA 4 B
Z10	ONBOARD DIAGNOSTIC CONNECTOR VENDOR ENGIN XB 2 D	
Z10	ONBOARD DIAGNOSTIC CONNECTOR VENDOR ENGIN XJ 2 D	
Z10CA	OPTION CONNECTOR A, CAB SIDE	BH 2 D
Z10CB	OPTION CONNECTOR B, CAB SIDE	BH 3 D
Z10FA	OPTION CONNECTOR A, CHASSIS SIDE	BH 2 D
Z10FB	OPTION CONNECTOR B, CHASSIS SIDE	BH 3 D
Z11	BODY BUILDER RELS CONNECTOR	BH 3 D
Z13	OPTION CONNECTOR, SNOWPLOW LIGHTS	GI 1 D
Z15	CONNECTOR, BODYBUILDER - CAB SIDE	BH 1 E

COMPONENT	DESCRIPTION	PAGE
Z16	CONNECTOR, BODYBUILDER	BH 1 D
Z17	RECEPTACLE, 120VAC	HC 1 D
Z17	RECEPTACLE, 120VAC	HI 2 D
Z18	RECEPTACLE, D.S. CABINET	HC 1 D
Z18	RECEPTACLE, D.S. CABINET	HI 3 C
Z19	RECEPTACLE, P.S. CABINET	HC 2 D
Z19	RECEPTACLE, P.S. CABINET	HI 3 C
Z20	RECEPTACLE, UNDER BUNK/ TABLE	HC 2 D
Z20	RECEPTACLE, UNDER BUNK/ TABLE	HI 4 C
Z21	QUALCOM OMNIVISION PREP KIT	BE 2 C

**VOLVO** Group Trucks Technology

Document title  
12V VOLVO CONVENTIONAL

Document type  
PRODUCT SCHEMATIC

Document No

22622040

Issue

05

Volume

2 (2)

Page

17 (43)

0

1

2

3

4

INLINES

INLINE	PAGE
12VOB H2:A	HF 1 D
12VOB H4:B	HF 1 C
12VRF:A	IG 3 E
12VRF:A	IG 4 E
12VRF:B	IG 3 E
12VRF:B	IG 3 E
12VSL:A	HE 2 C
12VSL:A	HG 3 C
12VSL:B	HE 2 B
12VSL:B	HG 3 B
A186 B:1	HJ 1 C
A186 B:1	HL 2 C
A186 C:1	HJ 1 D
A186 C:1	HL 2 D
A225BFC:1	CL 3 B
A225BFC:2	CL 3 B
A225BFC:3	CL 3 B
A225BFC:4	CL 3 A
A225BFCB:A	CL 3 A
A225FC:1	CN 3 B
A225FC:3	CN 3 B
A225FCB:A	CN 3 A
AACAAS:1	KE 3 C
AACAAS:1	KL 4 B
AACAAS:2	KE 3 C
AACAAS:2	KL 4 B
AACAAS:3	KE 3 C
AACAAS:4	KE 3 C
AACAAS:5	KE 3 C
AACAAS:5	KL 4 B
AXBWL:A	IH 0 C
AXBWL:B	IH 0 D
AXBWR:A	IH 0 B
AXBWR:B	IH 3 D
BFBR:A	IH 1 C
BFBR:A	IH 1 A
BFBR:B	IH 1 D
BFBR:B	IH 1 B
BFORF1:A	JG 0 D
BFORF1:C	BB 2 D
BFORF1:D	JG 1 D
BFORF1:E	JG 1 D
BFORF1:F	JG 3 D
BFORF1:G	JG 3 D
BFORF1:H	JG 1 E
BFORF2:A	JG 0 B
BFORF2:B	JG 1 D
BFORF2:C	JG 1 E
BFORF2:D	JG 1 E
BFORF2:G	JG 3 D

INLINE	PAGE
BFORF2:L	JG 3 D
BFORF2:M	JG 3 C
BRBEXT:A	IH 2 C
BRBEXT:A	IH 2 A
BRBEXT:B	IH 2 D
BRBEXT:B	IH 2 B
BWBF:A	IH 0 C
BWBF:A	IH 0 B
BWBF:B	IH 0 D
BWBF:B	IH 3 D
BWEXT:A	IH 2 C
BWEXT:A	IH 3 A
BWEXT:B	IH 2 D
BWEXT:B	IH 3 B
BWJH1:1	IH 4 E
BWJH1:2	IH 4 E
BWJH:1	IH 4 D
BWJH:2	IH 4 D
CETE:A	GK 3 C
CETE:B	GF 0 B
CETE:C	GF 0 B
CETE:D	GF 0 B
CETE:E	GF 1 B
CETL:A	GF 3 A
CETL:A	GF 3 C
CETL:A	GK 3 C
CETL:A	GK 3 D
CETL:B	GF 1 B
CETL:B	GF 1 B
CETL:B	GF 3 A
CETL:C	GF 0 B
CETL:C	GF 0 B
CETL:C	GF 3 A
CETL:C	GF 3 C
CETL:D	GF 1 B
CETL:D	GF 1 B
CETL:D	GF 3 A
CETL:E	GF 1 B
CETL:E	GF 1 B
CETL:E	GF 4 A
CETL:E	GF 2 C
DSFC:A	BB 2 C
DSFC:B	BB 1 B
DSFC:C	BB 5 C
DSFC:D	BB 2 B
DSFC:E	BB 5 C
DSFC:F	BB 5 B
DSFC:J	BB 5 C

INLINE	PAGE
E05E A:A	GG 3 C
E05E A:B	GG 3 C
EFRC.A1:1	AC 1 D
EFRC.A1:1	MA 1 B
EFRC.A1:1	MA 1 C
EFRC.A1:1	MA 2 C
EFRC.A1:1	MB 1 B
EFRC.A1:1	MB 2 B
EFRC.A1:1	MC 3 A
EFRC.A1:2	AC 1 D
EFRC.A1:2	MA 2 B
EFRC.A1:2	MA 1 C
EFRC.A1:2	MA 2 C
EFRC.A1:2	MB 1 B
EFRC.A1:2	MB 2 B
EFRC.A1:2	MC 3 A
EFRC.A1:3	AC 0 D
EFRC.A1:3	MA 1 B
EFRC.A1:3	MA 1 C
EFRC.A1:3	MA 2 C
EFRC.A1:3	MB 1 B
EFRC.A1:3	MB 2 B
EFRC.A1:3	MC 2 A
EFRC.A2:A	AD 1 C
EFRC.A2:A	MA 3 C
EFRC.A2:A	MA 1 C
EFRC.A2:A	MA 2 C
EFRC.A2:A	MB 1 B
EFRC.A2:A	MB 2 B
EFRC.A2:A	MC 3 A
EFRC.A2:B	AD 1 C
EFRC.A2:B	MA 3 C
EFRC.A2:B	MA 1 C
EFRC.A2:B	MA 2 C
EFRC.A2:B	MB 1 B
EFRC.A2:B	MB 2 B
EFRC.A2:B	MC 3 A
EFRC.A2:C	AC 3 D
EFRC.A2:C	MA 3 B
EFRC.A2:C	MA 1 C
EFRC.A2:C	MA 2 C
EFRC.A2:C	MB 1 B
EFRC.A2:C	MB 2 B
EFRC.A2:C	MC 3 A
EFRC.B1:A	AD 1 C
EFRC.B1:A	DB 3 B
EFRC.B1:A	DF 0 A
EFRC.B1:B	AD 0 C
EFRC.B1:B	CC 4 A
EFRC.B2:A	AC 2 D

INLINE	PAGE
EFRC.B2:A	AG 4 B
EFRC.B2:B	AC 1 D
EFRC.B2:B	AG 2 B
EFRC.C1:A	AD 2 B
EFRC.C1:A	AD 0 E
EFRC.C1:A	CP 1 B
EFRC.C1:B	AD 2 C
EFRC.C1:B	AD 0 E
EFRC.C1:B	CP 1 B
EFRC.C1:C	AD 1 C
EFRC.C1:C	AD 1 E
EFRC.C1:C	CP 1 B
EFRC.C1:D	AD 1 B
EFRC.C1:D	AD 1 E
EFRC.C1:D	CP 1 B
EFRC.C1:E	AD 2 B
EFRC.C1:E	AD 1 E
EFRC.C1:E	CP 2 B
EFRC.C1:F	AD 2 C
EFRC.C1:F	AD 1 E
EFRC.C1:F	CP 2 B
EFRC.C1:F	FH 0 A
EFRC.C3:A	AD 2 C
EFRC.C3:A	BP 2 C
EFRC.C3:C	AD 2 B
EFRC.C3:C	BP 2 B
EFRC.C3:D	AD 2 C
EFRC.C3:D	BP 2 C
EFRC.C3:E	AD 3 C
EFRC.C3:F	AD 2 B
EFRC.C3:F	BP 2 B
EFRC.C4:A	AD 3 C
EFRC.C4:A	CN 1 B
EFRC.C4:C	AD 3 B
EFRC.C4:C	CN 1 B
EFRC.C4:D	AD 3 C
EFRC.C4:D	CN 1 B
EFRC.C4:E	AD 3 C
EFRC.C4:F	AD 3 B
EFRC.C4:F	CN 1 B
EFRC.D1:A	AD 1 B
EFRC.D1:A	MA 3 B
EFRC.D1:B	AC 1 B
EFRC.D1:B	AG 2 B
EFRC.D1:C	AC 2 B
EFRC.D1:D	AC 0 B
EFRC.D1:D	MA 1 B
EFRC.D1:E	AC 1 B
EFRC.D1:E	MA 2 B
EFRC.D1:F	AC 0 D

INLINE	PAGE
EFRC.D1:G	AD 1 B
EFRC.D1:G	MA 3 B
EFRC.D1:H	AC 1 B
EFRC.D1:H	AD 3 D
EFRC.D1:H	AG 2 B
EFRC.D1:J	AC 2 B
EFRC.D1:J	AD 3 E
EFRC.D1:K	AD 3 E
EFRC.D1:L	AC 0 B
EFRC.D1:L	MA 0 B
EFRC.D1:M	AD 0 C
EFRC.D1:M	AD 3 E
EFRC.D2:A	AC 2 D
EFRC.D2:A	AG 3 B
EFRC.D2:A	BP 2 A
EFRC.D2:B	AC 4 D
EFRC.D2:C	AC 4 D
EFRC.D2:D	AC 3 D
EFRC.D2:D	EC 2 A
EFRC.D2:E	AD 2 E
EFRC.D2:E	CP 3 B
EFRC.D2:F	AC 3 D
EFRC.D2:F	FA 2 A
EFRC.D2:G	AC 3 D
EFRC.D2:G	CE 2 B
EFRC.D2:H	AC 2 D
EFRC.D2:J	AC 2 D
EFRC.D2:K	AD 0 C
EFRC.D2:K	AD 2 E
EFRC.D2:K	CP 3 B
EFRC.D2:L	AC 2 D
EFRC.D2:L	AG 3 B
EFRC.D2:M	AC 3 D
EFRC.D2:M	AG 4 B
EFRC.D2:N	AC 4 D
EFRC.D2:N	FG 0 A
FCAD:A	FA 2 D
FCAD:A	FA 3 D
FCAD:A	FA 1 D
FCAD:B	FA 1 B
FCAD:B	FA 2 B
FCAD:B	FA 3 B
FCAD:B	FA 1 B
FCAR:A	BB 3 C
FCAR:B	BB 3 B
FCAX1:A	NA 1 E
FCAX2:A	NA 1 E
FCAX3:A	NA 3 E
FCBW:A	IH 4 C
FCCE1:1	GK 1 D

INLINE	PAGE
FCCE1:2	GF 1 B
FCCE1:4	EC 2 D
FCCE1:5	EC 2 D
FCCE1:6	EC 2 D
FCCE1:7	EC 2 D
FCCE1:8	EC 2 D
FCCE1:12	GF 1 B
FCCE1:13	GF 1 B
FCCE1:14	GF 1 B
FCCE1:15	BB 5 D
FCCE1:16	BB 5 D
FCCE1:17	BB 5 D
FCCE1:18	EC 4 D
FCCE1:19	EC 4 D
FCCE1:20	EC 0 D
FCCE1:21	EC 0 D
FCCE1:22	EC 0 D
FCCE1:23	BB 5 B
FCCE2:3	EC 1 D
FCCE2:4	EC 1 D
FCCE2:5	EC 2 D
FCCE2:6	EC 2 D
FCCE2:7	EC 2 D
FCCE2:12	GF 0 B
FCCE2:13	EC 3 D
FCCE2:14	EC 3 D
FCCE2:16	BB 2 B
FCCE2:17	BB 2 C
FCCE2:18	EC 0 B
FCCE2:19	EC 0 B
FCCE2:20	EC 1 B
FCCE2:21	EC 1 B
FCCE2:22	EC 1 B
FCCL:A	CB 2 D
FCCL:B	CB 2 D
FCCL:C	BA 3 D
FCCL:D	BA 3 E
FCDPF:A	CD 4 B
FCDPF:B	CD 4 B
FCDPF:C	CD 4 B
FCDPF:D	CD 4 B
FCDPF:E	CD 2 D
FCDPF:F	CD 2 D
FCDPF:G	CD 2 D
FCDPF:H	CD 2 D
FCDPF:J	CD 2 D
FCDPF:K	CD 3 D
FCDPFC:C	CC 2 C
FCDPFC:E	CC 3 C
FCDPFC:F	CC 3 C

0

1

2

3

4

## INLINES

INLINE	PAGE
FCDFPC:G	CC 3 C
FCDFPC:H	CC 2 C
FCDFPC:J	CC 2 D
FCDFPC:K	CC 2 C
FCEGO:A	CL 2 B
FCEGO:B	CL 1 D
FCEGO:C	CL 1 D
FCEGO:D	CL 2 D
FCEGO:E	CL 1 D
FCEGO:F	CL 1 D
FCEGO:G	CL 1 D
FCEGO:H	CL 1 D
PCEN:A	HA 1 C
PCEN:B	HA 1 D
PCEN:C	AF 0 B
PCEN:C	BP 3 C
FCES1:A	EB 1 D
FCES1:A	EH 1 D
FCES1:B	EB 1 D
FCES1:B	EH 2 D
FCES1:C	EB 2 D
FCES1:C	EH 2 D
FCES2:1	EB 2 B
FCES2:1	EH 2 B
FCES2:2	EB 2 B
FCES2:2	EH 2 B
FCES2:3	EH 2 B
FCES2:4	EB 1 A
FCES2:4	EH 1 A
FCES2:5	EB 1 B
FCES2:5	EH 1 B
FCES2:7	EB 1 B
FCES2:7	EH 1 B
FCES2:8	EB 2 D
FCES2:8	EH 2 D
FCES2:9	EB 2 D
FCES2:9	EH 2 D
FCES2:10	EB 2 D
FCES2:10	EH 2 D
FCFA:1	JE 2 C
FCFA:1	XD 0 D
FCFA:1	XD 3 D
FCFA:1	XF 2 E
FCFA:1	XF 0 D
FCFA:1	XF 4 B
FCFA:1	XG 3 D
FCFA:1	XG 0 D
FCFA:1	XH 3 D
FCFA:1	XH 0 D
FCFA:1	XI 3 C

INLINE	PAGE
FCFA:2	JE 2 C
FCFA:2	XD 0 D
FCFA:2	XD 3 D
FCFA:2	XF 2 E
FCFA:2	XF 0 D
FCFA:2	XF 4 B
FCFA:2	XG 3 D
FCFA:2	XG 0 D
FCFA:2	XH 3 D
FCFA:2	XH 0 D
FCFA:2	XI 2 C
FCFA:3	JE 1 C
FCFA:4	JE 2 C
FCFA:5	JE 2 C
FCFA:6	JE 2 C
FCFA:7	BA 3 D
FCFA:7	CL 2 B
FCFA:7	CN 3 C
FCFA:8	BA 3 D
FCFA:8	CL 2 C
FCFA:8	CN 3 D
FCFDL:1	GE 0 C
FCFDL:1	GE 2 C
FCFDL:1	GE 3 C
FCFDL:2	GE 0 C
FCFDL:2	GE 4 C
FCFDL:2	GE 2 C
FCFDL:3	GE 0 D
FCFDL:3	GE 0 D
FCFDL:3	GE 2 D
FCFDL:3	GE 2 D
FCFDL:3	GE 3 D
FCFDL:3	GE 3 D
FCFDL:4	GE 2 D
FCFDL:4	GE 2 D
FCFDL:4	GE 4 D
FCFDL:4	GE 4 D
FCFDL:4	GE 4 D
FCFDR:1	GE 1 C
FCFDR:1	GE 4 C
FCFDR:1	GE 2 C
FCFDR:1	GE 2 C
FCFDR:2	GE 1 C
FCFDR:2	GE 4 C
FCFDR:2	GE 2 C
FCFDR:2	GE 2 C
FCFDR:3	GE 1 D
FCFDR:3	GE 1 D
FCFDR:3	GE 2 D
FCFDR:3	GE 2 D
FCFDR:3	GE 4 D
FCFDR:3	GE 4 D
FCFDR:4	GE 2 D

INLINE	PAGE
FCFDR:4	GE 2 D
FCFDR:4	GE 4 D
FCFDR:4	GE 4 D
FCFS1:A	CC 2 B
FCFS1:A	CC 2 B
FCFS1:A	CN 0 B
FCFS1:B	CC 2 B
FCFS1:B	CC 2 B
FCFS1:B	CN 0 B
FCFS2:A	CN 0 B
FCFS2:B	CN 0 B
FCFS:A	CC 2 B
FCFS:A	CL 3 D
FCFS:A	CL 3 D
FCFS:A	CL 3 E
FCFS:A	CN 0 C
FCFS:B	CC 2 B
FCFS:B	CL 3 D
FCFS:B	CL 3 D
FCFS:B	CL 3 E
FCFS:B	CN 0 C
FCGND:1	CC 4 D
FCGND:1	CL 3 C
FCGND:1	CN 4 B
FCHA:A	EC 3 D
FCHA:B	EC 3 D
FCHL:A	GD 4 D
FCHL:B	GD 4 D
FCHL:C	GD 3 D
FCHL:D	GD 3 D
FCHL:E	GD 3 D
FCHL:F	GD 4 D
FCHL:G	GD 4 D
FCHL:H	GD 3 D
FCHL:J	GD 3 D
FCHLL:1	GD 0 D
FCHLL:2	GD 0 D
FCHLL:2	GD 0 B
FCHLL:3	GD 0 D
FCHLL:3	GD 0 B
FCHLL:4	GD 1 D
FCHLL:4	GD 0 B
FCHLL:5	GD 1 D
FCHLL:5	GD 0 B
FCHLL:6	GD 1 D
FCHLL:6	GD 1 B
FCHLL:7	GD 1 D
FCHLL:7	GD 1 B
FCHLL:8	GD 0 C

INLINE	PAGE
FCHLL:9	GD 3 B
FCHLL:10	IC 0 D
FCHLL:11	GD 0 C
FCHLL:12	GD 0 C
FCHLR:1	GD 2 D
FCHLR:1	GD 2 B
FCHLR:2	GD 2 D
FCHLR:2	GD 2 B
FCHLR:3	GD 2 D
FCHLR:3	GD 2 B
FCHLR:4	GD 2 D
FCHLR:4	GD 2 B
FCHLR:5	GD 2 B
FCHLR:5	GD 2 D
FCHLR:6	GD 2 D
FCHLR:6	GD 2 B
FCHLR:7	GD 2 D
FCHLR:7	GD 2 B
FCHLR:8	GD 1 C
FCHLR:9	GD 3 B
FCHLR:10	IC 4 D
FCHLR:11	GD 1 C
FCHLR:12	GD 1 D
FCPT01:A	DP 1 D
FCPT01:B	DP 1 E
FCPT0:A	DP 4 D
FCSPJ5:A	FE 2 E
FCSPJ5:A	FE 2 E
FCSPJ5:B	FD 1 C
FCSPJ5:C	FC 3 C
FCSPJ5:C	FE 1 C
FCSPJ5:E	FD 3 C
FCSPJ5:G	FF 1 D
FCSPJ5:H	FC 3 C
FCSPJ5:H	FE 2 C
FCSPJ5:K	GQ 2 B
FCSPJ5:L	FD 1 D
FCSPJ5:M	FF 1 D
FCSPJ5:N	GQ 2 D
FCSPJ5:R	FC 2 D
FCSPJ5:R	FE 1 E
FCSPJ5:S	FD 3 D
FCSPJ6:A	FC 2 D
FCSPJ6:B	FD 2 C
FCSPJ6:C	FC 1 C
FCSPJ6:E	FD 3 C
FCSPJ6:F	CH 3 C
FCSPJ6:G	FB 1 C
FCSPJ6:H	FC 2 C
FCSPJ6:J	FB 0 C

INLINE	PAGE
FCSPJ6:K	GQ 3 B
FCSPJ6:L	FD 2 D
FCSPJ6:M	FB 2 E
FCSPJ6:N	GQ 3 D
FCSPJ6:P	FB 2 C
FCSPJ6:R	CH 3 E
FCSPJ6:R	FB 1 E
FCSPJ6:R	FC 1 D
FCSPJ6:S	FD 3 D
FCSS2:A	JF 1 C
FCSS2:B	JF 2 C
FCSS2:C	JF 2 C
FCSS2:D	JF 2 C
FCSS:A	JF 1 B
FCSS:B	JF 2 B
FCSS:C	JF 2 B
FCSS:C	XD 1 D
FCSS:C	XD 3 D
FCSS:C	XF 1 D
FCSS:C	XF 3 E
FCSS:C	XF 4 B
FCSS:C	XG 1 D
FCSS:C	XG 4 D
FCSS:C	XH 0 D
FCSS:C	XH 3 D
FCSS:C	XI 4 C
FCSS:D	JF 2 B
FCSS:D	XD 1 D
FCSS:D	XD 3 D
FCSS:D	XF 1 D
FCSS:D	XF 4 E
FCSS:D	XF 4 B
FCSS:D	XG 1 D
FCSS:D	XG 3 D
FCSS:D	XH 1 D
FCSS:D	XH 3 D
FCSS:D	XI 4 C
FCTC:A	MA 3 D
FCTC:A	MA 0 C
FCTC:A	MA 2 C
FCTC:A	MB 0 B
FCTC:A	MB 2 B
FCTC:A	MC 2 A
FCTR1:A	CL 1 B
FCTR1:A	CN 2 D
FCTR1:B	CL 1 B
FCTR1:B	CN 2 D
FCTR2:1	CD 3 B
FCTR2:1	DA 2 B
FCTR2:1	DA 3 C

INLINE	PAGE
FCTR2:2	CD 3 B
FCTR2:2	DA 2 B
FCTR2:2	DA 3 C
FCTR:A	DB 3 B
FCTR:A	DF 0 B
FCTR:B	DA 4 A
FCTR:B	DB 3 D
FCTR:B	DF 0 B
FCUT3:1	CF 1 B
FCUT3:1	CG 1 B
FCUT3:2	CF 1 B
FCUT3:2	CG 1 B
FCUT3:3	CF 1 B
FCUT3:3	CG 1 B
FCUT3:4	CF 1 A
FCUT3:4	CG 1 A
FCUT3:5	CF 2 D
FCUT3:5	CG 2 D
FCUT3:6	CF 4 D
FCUT3:6	CG 4 D
FCUT3:7	CF 4 D
FCUT3:7	CG 4 D
FCUT3:8	CF 3 D
FCUT3:8	CG 3 D
FCUT3:9	CF 2 D
FCUT3:9	CG 2 D
FCUT3:10	CF 2 D
FCUT3:10	CG 2 D
FCUT3:11	CF 2 D
FCUT3:11	CG 2 D
FCUT3:12	CF 2 D
FCUT3:12	CG 2 D
FCUT3:13	CF 2 D
FCUT3:13	CG 2 D
FCUT3:14	CF 2 D
FCUT3:14	CG 2 D
FCUT4:1	CN 1 C
FCUT4:2	CN 2 C
FCUT4:3	CN 2 C
FCUT4:4	CN 2 C
FCUT4:5	CP 1 C
FCUT4:6	CP 1 C
FCUT4:7	CP 1 C
FCUT4:8	CP 1 D
FCUT4:9	CP 2 C
FCUT4:10	CP 3 B
FCUT4:11	CP 3 B
FCUT4:12	CP 3 B
FCUT4:13	CP 3 B
FCVIS:A	CN 1 B

0

1

2

3

4

INLINES

INLINE	PAGE
FCVIS:B	CN 1 C
FCVIS:C	CN 1 C
FCWB:A	GP 3 C
FCWB:B	GP 3 A
FCWB:C	GP 3 A
FRC J1:A1	AA 2 A
FRC J1:A1	IS 0 B
FRC J1:A2	AB 0 B
FRC J1:A2	AQ 1 C
FRC J1:A3	AB 3 C
FRC J1:A3	FC 1 A
FRC J1:A4	AB 3 C
FRC J1:A4	FD 2 A
FRC J1:A5	AB 3 C
FRC J1:A5	BA 3 A
FRC J1:A6	AB 1 C
FRC J1:A6	AQ 4 A
FRC J1:A7	AB 3 C
FRC J1:A7	FF 1 A
FRC J1:A8	AA 3 C
FRC J1:A8	IG 1 B
FRC J1:A9	AA 3 C
FRC J1:A9	IG 1 B
FRC J1:A11	AB 4 B
FRC J1:A11	AQ 1 C
FRC J1:B1	AA 2 A
FRC J1:B1	JG 0 B
FRC J1:B6	AB 2 C
FRC J1:B6	FC 1 A
FRC J1:B7	AB 2 C
FRC J1:B7	FC 1 A
FRC J1:B9	AB 0 C
FRC J1:B9	AQ 4 A
FRC J1:B12	AA 4 B
FRC J1:B12	AA 0 D
FRC J1:B12	AA 3 B
FRC J1:B12	AB 0 B
FRC J1:B12	AB 4 C
FRC J1:B12	AB 3 E
FRC J1:B12	AB 2 D
FRC J1:B12	DF 4 B
FRC J1:B12	EB 4 B
FRC J1:B12	EH 4 B
FRC J1:B12	FB 3 B
FRC J1:B12	GC 1 B
FRC J1:B12	GK 1 C
FRC J1:B12	KE 0 B
FRC J1:B12	KF 1 B
FRC J1:B12	KG 0 B
FRC J1:B12	KL 0 B

INLINE	PAGE
FRC J1:B12	KM 2 B
FRC J1:B12	KN 0 B
FRC J1:C1	AA 3 A
FRC J1:C1	GB 2 B
FRC J1:C2	AB 0 C
FRC J1:C5	AA 0 C
FRC J1:C5	BH 1 B
FRC J1:C8	AB 2 D
FRC J1:C8	FB 3 B
FRC J1:C8	FE 1 B
FRC J1:C9	AB 3 D
FRC J1:C12	AA 4 D
FRC J1:C12	IC 3 A
FRC J1:D1	AA 3 A
FRC J1:D1	GB 2 B
FRC J1:D2	AB 0 C
FRC J1:D2	AQ 4 A
FRC J1:D5	AB 3 C
FRC J1:D5	BH 1 B
FRC J1:D8	AB 2 D
FRC J1:D9	AA 3 C
FRC J1:D9	IS 2 B
FRC J1:D10	AB 3 D
FRC J1:D10	IG 0 B
FRC J1:D12	AB 4 D
FRC J1:D12	HA 0 B
FRC J1:E1	AA 3 A
FRC J1:E1	XB 2 B
FRC J1:E2	AB 1 C
FRC J1:E5	AB 1 C
FRC J1:E5	IB 2 B
FRC J1:E6	AB 0 C
FRC J1:E7	AB 2 D
FRC J1:E8	AA 3 C
FRC J1:E9	AB 3 D
FRC J1:E9	IC 1 A
FRC J1:E10	AB 3 D
FRC J1:E12	IR 2 A
FRC J1:F1	AA 3 A
FRC J1:F1	GB 2 B
FRC J1:F2	AB 1 D
FRC J1:F2	DP 2 B
FRC J1:F3	AB 1 C
FRC J1:F3	DP 1 B
FRC J1:F5	AB 2 C
FRC J1:F5	GK 1 B
FRC J1:F6	AB 3 C
FRC J1:F6	BH 0 B
FRC J1:F7	AB 3 D

INLINE	PAGE
FRC J1:F8	AB 3 D
FRC J1:F9	AA 1 D
FRC J1:F9	IA 2 B
FRC J1:F10	AB 4 D
FRC J1:F11	AB 3 D
FRC J1:F12	AB 3 D
FRC J1:F12	KE 1 B
FRC J1:F12	KF 2 A
FRC J1:F12	KG 1 B
FRC J1:F12	KL 1 B
FRC J1:F12	KM 2 B
FRC J1:F12	KN 1 B
FRC J2:A2	AB 1 D
FRC J2:A2	DP 1 B
FRC J2:A5	AA 1 B
FRC J2:A5	DA 1 B
FRC J2:A6	AB 2 D
FRC J2:A6	GK 1 C
FRC J2:A8	AA 3 D
FRC J2:A8	IA 1 A
FRC J2:A11	AB 3 E
FRC J2:A11	KE 0 B
FRC J2:A11	KF 1 B
FRC J2:A11	KG 0 B
FRC J2:A11	KL 0 B
FRC J2:A11	KM 2 B
FRC J2:A11	KN 0 B
FRC J2:A12	AB 4 D
FRC J2:A12	KE 0 B
FRC J2:A12	KF 1 A
FRC J2:A12	KG 0 A
FRC J2:A12	KL 0 B
FRC J2:A12	KM 2 B
FRC J2:A12	KN 0 B
FRC J2:B1	AA 3 A
FRC J2:B1	GB 2 B
FRC J2:B2	AA 2 A
FRC J2:B4	AA 2 B
FRC J2:B4	DA 0 B
FRC J2:B5	AB 2 D
FRC J2:B5	GK 1 C
FRC J2:B6	AB 1 C
FRC J2:B6	BE 2 A
FRC J2:B6	BF 2 B
FRC J2:B6	BJ 1 B
FRC J2:B7	AB 2 C
FRC J2:B7	FB 3 A
FRC J2:B7	GK 1 B
FRC J2:B8	AA 3 D
FRC J2:B8	IA 1 A

INLINE	PAGE
FRC J2:B9	AA 1 D
FRC J2:B10	AA 1 D
FRC J2:B10	IA 2 B
FRC J2:B11	AA 1 C
FRC J2:B11	HB 2 A
FRC J2:B11	HK 3 A
FRC J2:B12	AA 0 C
FRC J2:B12	HB 3 A
FRC J2:B12	HK 4 A
FRC J2:C1	AA 4 A
FRC J2:C1	GB 2 B
FRC J2:C2	AA 2 A
FRC J2:C2	KE 1 B
FRC J2:C2	KF 2 A
FRC J2:C2	KG 1 B
FRC J2:C2	KL 1 B
FRC J2:C2	KM 2 B
FRC J2:C2	KN 1 B
FRC J2:C4	AA 2 B
FRC J2:C4	DA 1 B
FRC J2:C5	AA 2 D
FRC J2:C8	AA 3 D
FRC J2:C8	IA 0 A
FRC J2:C9	AA 2 C
FRC J2:C9	IG 1 B
FRC J2:C10	AA 1 D
FRC J2:C10	IA 2 B
FRC J2:C11	AA 0 C
FRC J2:C11	IG 2 B
FRC J2:C12	AA 0 C
FRC J2:D1	AA 4 A
FRC J2:D1	IF 2 A
FRC J2:D2	AB 1 B
FRC J2:D2	AG 0 B
FRC J2:D4	AA 1 A
FRC J2:D4	BA 0 A
FRC J2:D5	AA 4 A
FRC J2:D5	BJ 1 B
FRC J2:D8	AA 3 D
FRC J2:D8	IH 4 A
FRC J2:D9	AA 2 C
FRC J2:D9	NA 3 A
FRC J2:D10	AA 1 D
FRC J2:D11	AA 0 C
FRC J2:D12	AA 0 C
FRC J2:D12	IG 3 B
FRC J2:E1	AA 4 A
FRC J2:E1	GJ 1 B
FRC J2:E2	AA 4 B
FRC J2:E2	EB 4 B

INLINE	PAGE
FRC J2:E2	EH 4 B
FRC J2:E4	AB 1 B
FRC J2:E4	AG 0 B
FRC J2:E5	AB 0 B
FRC J2:E5	AG 0 B
FRC J2:E5	BA 0 A
FRC J2:E6	AB 2 C
FRC J2:E6	CM 0 A
FRC J2:E8	AA 0 A
FRC J2:E8	GB 2 B
FRC J2:E9	AA 2 C
FRC J2:E9	HB 3 A
FRC J2:E9	HK 4 A
FRC J2:E10	AA 1 D
FRC J2:E11	AA 1 C
FRC J2:E11	NA 1 A
FRC J2:E12	AA 1 C
FRC J2:E12	IG 4 B
FRC J2:F1	AA 4 B
FRC J2:F1	EB 4 B
FRC J2:F1	EH 4 B
FRC J2:F2	AB 1 B
FRC J2:F2	BM 1 A
FRC J2:F2	DP 2 A
FRC J2:F4	AB 1 B
FRC J2:F4	AG 0 B
FRC J2:F4	AK 1 B
FRC J2:F4	DA 1 A
FRC J2:F4	DF 1 B
FRC J2:F5	AB 1 B
FRC J2:F6	AB 2 C
FRC J2:F6	HB 3 A
FRC J2:F6	HK 4 A
FRC J2:F6	IS 1 B
FRC J2:F7	AB 2 B
FRC J2:F7	DF 3 B
FRC J2:F8	AA 3 C
FRC J2:F8	AQ 3 A
FRC J2:F9	AA 0 B
FRC J2:F9	GQ 1 C
FRC J2:F10	AA 0 B
FRC J2:F10	GQ 1 B
FRC J2:F11	AA 2 C
FRC J2:F11	BH 0 B
FRC J2:F12	AA 0 D
FRC J2:F12	GC 1 B
FRC J3:A1	AB 1 E
FRC J3:A2	AB 1 E
FRC J3:A3	AB 1 D
FRC J3:A4	AB 1 D

INLINE	PAGE
FRC J3:A5	AB 1 D
FRC J3:A5	BM 5 B
FRC J3:A6	AA 3 B
FRC J3:A6	DF 4 B
FRC J3:A7	AA 3 B
FRC J3:A7	DF 4 B
FRC J3:A11	AA 4 C
FRC J3:A11	AQ 1 C
FRC J3:A12	AA 4 E
FRC J3:A12	GP 1 B
FRC J3:B1	AB 0 E
FRC J3:B2	AA 0 D
FRC J3:B3	AB 0 D
FRC J3:B4	AB 1 D
FRC J3:B4	BM 5 A
FRC J3:B5	AB 1 C
FRC J3:B5	BM 4 A
FRC J3:B6	AA 3 B
FRC J3:B6	DF 4 B
FRC J3:B7	AA 3 B
FRC J3:B7	DF 4 B
FRC J3:B8	AA 3 D
FRC J3:B8	JH 1 A
FRC J3:B11	AA 4 E
FRC J3:B11	GP 0 B
FRC J3:B12	AA 4 D
FRC J3:B12	GP 0 B
FRC J3:C1	AB 0 E
FRC J3:C2	AB 0 D
FRC J3:C3	AB 0 E
FRC J3:C4	AA 4 B
FRC J3:C4	GK 1 C
FRC J3:C5	AB 2 B
FRC J3:C5	AK 1 D
FRC J3:C5	DA 0 A
FRC J3:C5	DB 2 B
FRC J3:C5	DF 2 B
FRC J3:C8	AA 3 D
FRC J3:C8	GI 1 A
FRC J3:C11	AA 4 D
FRC J3:C11	EE 1 A
FRC J3:C12	AA 3 E
FRC J3:C12	GP 1 C
FRC J3:D1	AB 0 D
FRC J3:D2	AB 0 C
FRC J3:D2	CL 1 B
FRC J3:D3	AB 0 E
FRC J3:D5	AB 2 B
FRC J3:D5	AK 1 D
FRC J3:D5	DA 0 B

A

A

B

B

C

C

D

D

E

E

0

1

2

3

4

## INLINES

INLINE	PAGE
FRC J3:D5	DB 2 A
FRC J3:D5	DF 2 B
FRC J3:D8	AA 3 D
FRC J3:D8	GI 2 A
FRC J3:D11	AA 3 D
FRC J3:D11	EB 3 B
FRC J3:D11	EH 3 A
FRC J3:D11	JE 1 B
FRC J3:D12	AA 3 E
FRC J3:D12	GP 1 C
FRC J3:E1	AB 0 D
FRC J3:E1	CL 0 A
FRC J3:E2	AB 0 D
FRC J3:E2	CL 0 B
FRC J3:E3	AB 0 D
FRC J3:E3	CL 1 A
FRC J3:E4	AB 2 B
FRC J3:E4	AK 1 D
FRC J3:E4	DA 0 A
FRC J3:E4	DB 2 B
FRC J3:E4	DF 2 B
FRC J3:E5	AB 1 D
FRC J3:E5	BM 4 B
FRC J3:E6	AB 2 B
FRC J3:E6	AK 1 D
FRC J3:E6	DA 0 B
FRC J3:E6	DB 2 A
FRC J3:E6	DF 2 B
FRC J3:E7	AA 2 D
FRC J3:E7	GA 1 A
FRC J3:E8	AA 2 D
FRC J3:E8	JG 0 B
FRC J3:E9	AA 2 D
FRC J3:E11	AA 3 D
FRC J3:E11	JA 3 B
FRC J3:E11	JA 0 B
FRC J3:E12	AA 3 E
FRC J3:E12	GP 2 B
FRC J3:F1	AA 1 C
FRC J3:F1	AQ 3 A
FRC J3:F2	AA 0 D
FRC J3:F2	GC 1 B
FRC J3:F3	AA 0 A
FRC J3:F3	GQ 1 B
FRC J3:F4	AA 2 D
FRC J3:F4	AC 2 A
FRC J3:F5	AB 2 B
FRC J3:F5	DF 3 B
FRC J3:F6	AA 2 D
FRC J3:F6	FH 1 A

INLINE	PAGE
FRC J3:F7	AB 2 B
FRC J3:F7	DF 3 B
FRC J3:F8	AB 2 B
FRC J3:F8	DF 3 B
FRC J3:F9	AB 1 A
FRC J3:F9	AG 1 B
FRC J3:F10	AA 4 B
FRC J3:F10	EB 3 B
FRC J3:F10	EH 3 A
FRC J3:F11	AA 2 A
FRC J3:F12	AA 4 A
FRC J3:F12	AQ 3 A
FRC J4:A2	AB 3 A
FRC J4:A2	GI 3 C
FRC J4:A5	AB 2 A
FRC J4:A5	GI 1 C
FRC J4:A6	AB 2 A
FRC J4:A6	GI 1 C
FRC J4:B3	AB 3 A
FRC J4:B3	GI 3 C
FRC J4:B4	AB 3 B
FRC J4:B4	BE 2 B
FRC J4:B5	AB 3 B
FRC J4:B5	BE 3 B
FRC J4:B6	AB 2 A
FRC J4:B6	GI 1 C
FRC J4:C5	AB 2 A
FRC J4:C5	GI 1 C
FRC J4:D1	AB 3 A
FRC J4:D1	GI 3 C
FRC J4:D2	AB 3 A
FRC J4:D6	AB 1 A
FRC J4:D6	GI 1 C
FRC J4:E2	AB 3 B
FRC J4:E2	DB 3 A
FRC J4:E3	AB 3 A
FRC J4:E3	GI 3 C
FRC J4:E6	AB 2 A
FRC J4:E6	GI 2 C
FRC J4:F1	AB 3 B
FRC J4:F1	BY 1 B
FRC J4:F1	CC 3 A
FRC J4:F1	CL 0 A
FRC J4:F1	CN 2 B
FRC J4:F1	DB 3 A
FRC J4:F2	AB 3 B
FRC J4:F2	BY 1 B
FRC J4:F2	CC 3 B
FRC J4:F2	CL 0 B
FRC J4:F2	CN 2 C

INLINE	PAGE
FRC J4:F3	AB 2 A
FRC J4:F3	GI 2 C
FRC J4:F4	AB 2 A
FRC J4:F4	GI 2 C
FRC J4:F5	AB 2 A
FRC J4:F5	GI 2 C
FRC J4:F6	AB 2 A
FRC J4:F6	GI 2 C
FRC J5:A2	AB 3 B
FRC J5:A3	AA 1 A
FRC J5:A3	BE 2 A
FRC J5:A3	BF 1 B
FRC J5:A3	BY 1 B
FRC J5:A4	AB 1 E
FRC J5:A4	AH 2 B
FRC J5:A6	AB 1 E
FRC J5:A6	AH 2 B
FRC J5:B1	AA 1 B
FRC J5:B1	AQ 1 A
FRC J5:B2	AA 1 A
FRC J5:B2	HA 0 B
FRC J5:B3	AA 1 A
FRC J5:B3	HA 0 B
FRC J5:C1	AA 0 A
FRC J5:C1	HB 2 A
FRC J5:C1	HK 3 A
FRC J5:C5	AB 1 D
FRC J5:C5	AH 2 B
FRC J5:C6	AB 1 D
FRC J5:C6	AH 2 B
FRC J5:D1	AA 0 A
FRC J5:D1	BF 1 B
FRC J5:D5	AB 2 D
FRC J5:D5	AH 3 B
FRC J5:E1	AA 0 A
FRC J5:E1	EC 2 A
FRC J5:E5	AB 2 E
FRC J5:E5	AH 3 B
FRC J5:F5	AB 2 E
FRC J5:F6	AH 3 B
G01 N2B:1	HI 0 B
G01 P3B:1	HI 0 B
G01B1:A	CL 4 A
G01BA1:A	CF 0 A
G01BA1:A	CG 0 A
G01D1:A	CN 4 A
G01M:A	CM 4 A
G04:B	HI 2 B

INLINE	PAGE
IC2CH:A	AM 2 E
IC2CH:B	AM 2 B
IC2CH:C	AM 2 B
IC2CH:D	AM 2 B
LKDL:A	IF 1 B
LKDL:B	IF 1 B
LKDL:C	IF 2 C
LKDL:D	IF 1 C
LKDL:E	IF 1 C
LKDR:A	IF 2 C
LKDR:B	IF 2 C
LKDR:C	IF 2 C
MCAD:A	BA 2 D
MCAD:B	BA 2 D
MCAD:C	BA 2 D
MCAD:D	AI 3 B
MCAD:E	AI 3 B
MCBOC:A	GG 2 B
MCCB:A	IG 1 B
MCCB:B	IG 1 C
MCCS:3	IR 3 E
MCCS:3	IR 3 D
MCCS:4	IR 3 E
MCCS:4	IR 3 B
MCDL2:A	IA 0 C
MCDL2:B	IC 1 B
MCDL2:C	IC 1 B
MCDL2:D	IC 1 B
MCDL2:E	IC 2 B
MCDL2:F	IC 2 B
MCDL2:G	IC 1 B
MCDL2:H	IC 1 B
MCDL3:A	IC 1 B
MCDL3:C	BB 2 D
MCDL3:D	IA 1 C
MCDL3:E	IA 1 C
MCDL3:F	AE 3 E
MCDL3:G	IA 2 D
MCDL4:A	KE 0 D
MCDL4:A	KF 4 D
MCDL4:A	KG 0 D
MCDL4:A	KL 3 D
MCDL4:A	KM 4 D
MCDL4:A	KN 0 D
MCDL4:B	KE 0 D
MCDL4:B	KF 4 D
MCDL4:B	KG 0 D
MCDL4:B	KL 3 D
MCDL4:B	KM 4 D
MCDL4:B	KN 0 D

INLINE	PAGE
MCDR1:A	IC 3 C
MCDR1:B	IC 3 C
MCDR1:C	IC 3 A
MCDR1:D	IC 4 B
MCDR1:E	IC 3 B
MCDR1:F	IC 4 B
MCDR2:A	IA 1 C
MCDR2:B	AE 3 B
MCDR2:C	IA 1 D
MCDR2:D	IC 3 B
MCDR2:E	IC 2 B
MCDR2:F	IA 3 D
MCDR2:G	IC 2 B
MCDR2:H	IA 0 D
MCDR3:A	KE 0 D
MCDR3:A	KF 3 D
MCDR3:A	KG 0 D
MCDR3:A	KL 3 D
MCDR3:A	KM 2 D
MCDR3:A	KN 0 D
MCDR3:B	KE 0 D
MCDR3:B	KF 3 D
MCDR3:B	KG 0 D
MCDR3:B	KL 3 D
MCDR3:B	KM 3 D
MCDR3:B	KN 0 D
MCFL:1	GP 2 D
MCFC:2	GD 3 B
MCFC:2	GD 4 C
MCFC:3	MA 3 B
MCFC:5	GA 3 D
MCFC:6	GA 3 D
MCFC:7	GP 2 C
MCFC:8	MA 3 B
MCFC:9	GA 3 D
MCFC:10	CC 3 B
MCFC:10	CN 2 C
MCFC:11	IC 4 C
MCFC:12	IC 0 C
MCFC:13	IH 4 C
MCFC:14	FB 1 C
MCFC:15	FB 2 C
MCFC:16	DP 4 D
MCFC:17	GD 0 B
MCFC:18	GD 0 B
MCFC:18	GD 3 C
MCFC:19	GD 0 B
MCFC:19	GD 3 C
MCFC:20	GD 0 B
MCFC:21	EC 0 C

INLINE	PAGE
MCFC:22	EC 0 C
MCFC:23	EC 4 D
MCFC:24	EC 3 D
MCFC:25	EC 0 D
MCFC:26	EC 0 D
MCFC:27	EC 0 D
MCFC:28	EC 4 D
MCFC:29	EC 4 D
MCFC:30	EC 1 C
MCFC:31	EC 1 C
MCFC:32	EC 1 C
MCFC:33	EC 0 C
MCFC:34	EC 0 C
MCFC:35	EC 0 C
MCFC:36	EC 1 C
MCFC:37	EC 1 C
MCFC:38	EC 1 C
MCFC:39	EC 1 C
MCFC:40	EC 1 C
MCFC:41	EC 2 C
MCFC:42	EC 2 C
MCFC:43	EC 2 D
MCFC:44	EC 2 D
MCFC:45	XA 0 D
MCFC:46	XA 0 D
MCFC:47	BB 3 C
MCFC:48	BB 3 C
MCFC:49	BB 4 C
MCFC:50	AI 2 B
MCFC:51	BB 3 C
MCFC:52	AI 1 B
MCFC:53	FC 1 C
MCFC:54	AG 1 B
MCFC:55	BA 3 E
MCFC:56	BA 3 D
MCFC:57	BB 2 C
MCFC:58	HA 1 B
MCFC:59	FC 1 C
MCFC:59	FC 1 C
MCFC:59	FE 2 C
MCFC:60	FD 3 C
MCFC:60	FD 3 C
MCFC:60	FD 3 C
MCFC:61	AC 2 B
MCFC:62	FD 1 C
MCFC:62	FD 1 C
MCFC:62	FD 2 C
MCFC:63	FC 2 C

0

1

2

3

4

	0	1	2	3	4																																																																																																																																																																																																																																																																																																																																																																																																																																																																																																																																																																																																						
A	<table border="1"> <thead> <tr><th>INLINE</th><th>PAGE</th></tr> </thead> <tbody> <tr><td>MCFC:63</td><td>FC 3 C</td></tr> <tr><td>MCFC:63</td><td>FC 2 C</td></tr> <tr><td>MCFC:63</td><td>FE 2 C</td></tr> <tr><td>MCFC:64</td><td>GB 1 C</td></tr> <tr><td>MCFC:65</td><td>GB 1 C</td></tr> <tr><td>MCFC:66</td><td>BM 5 B</td></tr> <tr><td>MCFC:67</td><td>BB 4 D</td></tr> <tr><td>MCFC:68</td><td>BA 3 D</td></tr> <tr><td>MCFC:69</td><td>GP 2 A</td></tr> <tr><td>MCFC:70</td><td>GQ 1 D</td></tr> <tr><td>MCFC:71</td><td>GB 1 D</td></tr> <tr><td>MCFC:72</td><td>GQ 2 D</td></tr> <tr><td>MCFC:72</td><td>GQ 2 D</td></tr> <tr><td>MCFC:72</td><td>GQ 3 D</td></tr> <tr><td>MCFC:73</td><td>GQ 3 B</td></tr> <tr><td>MCFC:73</td><td>GQ 2 B</td></tr> <tr><td>MCFC:73</td><td>GQ 2 B</td></tr> <tr><td>MCFC:74</td><td>GE 1 B</td></tr> <tr><td>MCFC:74</td><td>GE 2 B</td></tr> <tr><td>MCFC:74</td><td>GE 4 B</td></tr> <tr><td>MCFC:75</td><td>GE 0 B</td></tr> <tr><td>MCFC:75</td><td>GE 0 B</td></tr> <tr><td>MCFC:75</td><td>GE 2 B</td></tr> <tr><td>MCFC:75</td><td>GE 3 B</td></tr> <tr><td>MCFC:76</td><td>BB 2 C</td></tr> <tr><td>MCFC:77</td><td>GD 0 B</td></tr> <tr><td>MCFC:78</td><td>GD 1 B</td></tr> <tr><td>MCFC:78</td><td>GD 3 C</td></tr> <tr><td>MCFC:79</td><td>GD 1 B</td></tr> <tr><td>MCFC:80</td><td>GD 2 B</td></tr> <tr><td>MCFC:81</td><td>GD 2 B</td></tr> <tr><td>MCFC:81</td><td>GD 4 C</td></tr> <tr><td>MCFC:82</td><td>EC 2 B</td></tr> <tr><td>MCFC:83</td><td>XC 0 C</td></tr> <tr><td>MCFC:83</td><td>XD 0 B</td></tr> <tr><td>MCFC:83</td><td>XD 2 B</td></tr> <tr><td>MCFC:83</td><td>XD 0 C</td></tr> <tr><td>MCFC:83</td><td>XD 2 C</td></tr> <tr><td>MCFC:83</td><td>XE 2 B</td></tr> <tr><td>MCFC:83</td><td>XE 0 B</td></tr> <tr><td>MCFC:83</td><td>XF 2 C</td></tr> <tr><td>MCFC:83</td><td>XF 1 A</td></tr> <tr><td>MCFC:83</td><td>XF 0 A</td></tr> <tr><td>MCFC:83</td><td>XF 0 C</td></tr> <tr><td>MCFC:83</td><td>XF 3 B</td></tr> <tr><td>MCFC:83</td><td>XG 2 A</td></tr> <tr><td>MCFC:83</td><td>XG 2 C</td></tr> <tr><td>MCFC:83</td><td>XG 0 C</td></tr> <tr><td>MCFC:83</td><td>XG 0 A</td></tr> </tbody> </table>	INLINE	PAGE	MCFC:63	FC 3 C	MCFC:63	FC 2 C	MCFC:63	FE 2 C	MCFC:64	GB 1 C	MCFC:65	GB 1 C	MCFC:66	BM 5 B	MCFC:67	BB 4 D	MCFC:68	BA 3 D	MCFC:69	GP 2 A	MCFC:70	GQ 1 D	MCFC:71	GB 1 D	MCFC:72	GQ 2 D	MCFC:72	GQ 2 D	MCFC:72	GQ 3 D	MCFC:73	GQ 3 B	MCFC:73	GQ 2 B	MCFC:73	GQ 2 B	MCFC:74	GE 1 B	MCFC:74	GE 2 B	MCFC:74	GE 4 B	MCFC:75	GE 0 B	MCFC:75	GE 0 B	MCFC:75	GE 2 B	MCFC:75	GE 3 B	MCFC:76	BB 2 C	MCFC:77	GD 0 B	MCFC:78	GD 1 B	MCFC:78	GD 3 C	MCFC:79	GD 1 B	MCFC:80	GD 2 B	MCFC:81	GD 2 B	MCFC:81	GD 4 C	MCFC:82	EC 2 B	MCFC:83	XC 0 C	MCFC:83	XD 0 B	MCFC:83	XD 2 B	MCFC:83	XD 0 C	MCFC:83	XD 2 C	MCFC:83	XE 2 B	MCFC:83	XE 0 B	MCFC:83	XF 2 C	MCFC:83	XF 1 A	MCFC:83	XF 0 A	MCFC:83	XF 0 C	MCFC:83	XF 3 B	MCFC:83	XG 2 A	MCFC:83	XG 2 C	MCFC:83	XG 0 C	MCFC:83	XG 0 A	<table border="1"> <thead> <tr><th>INLINE</th><th>PAGE</th></tr> </thead> <tbody> <tr><td>MCFC:83</td><td>XH 0 A</td></tr> <tr><td>MCFC:83</td><td>XH 2 C</td></tr> <tr><td>MCFC:83</td><td>XH 0 C</td></tr> <tr><td>MCFC:83</td><td>XH 2 A</td></tr> <tr><td>MCFC:83</td><td>XI 0 A</td></tr> <tr><td>MCFC:83</td><td>XI 2 B</td></tr> <tr><td>MCFC:84</td><td>XC 0 C</td></tr> <tr><td>MCFC:84</td><td>XD 0 B</td></tr> <tr><td>MCFC:84</td><td>XD 2 B</td></tr> <tr><td>MCFC:84</td><td>XD 0 D</td></tr> <tr><td>MCFC:84</td><td>XD 2 D</td></tr> <tr><td>MCFC:84</td><td>XE 2 B</td></tr> <tr><td>MCFC:84</td><td>XE 0 B</td></tr> <tr><td>MCFC:84</td><td>XF 2 D</td></tr> <tr><td>MCFC:84</td><td>XF 1 B</td></tr> <tr><td>MCFC:84</td><td>XF 0 A</td></tr> <tr><td>MCFC:84</td><td>XF 0 D</td></tr> <tr><td>MCFC:84</td><td>XF 3 B</td></tr> <tr><td>MCFC:84</td><td>XG 2 B</td></tr> <tr><td>MCFC:84</td><td>XG 2 C</td></tr> <tr><td>MCFC:84</td><td>XG 0 C</td></tr> <tr><td>MCFC:84</td><td>XG 0 B</td></tr> <tr><td>MCFC:84</td><td>XH 0 B</td></tr> <tr><td>MCFC:84</td><td>XH 2 C</td></tr> <tr><td>MCFC:84</td><td>XH 0 C</td></tr> <tr><td>MCFC:84</td><td>XH 2 B</td></tr> <tr><td>MCFC:84</td><td>XI 2 B</td></tr> <tr><td>MCFC:85</td><td>EC 1 D</td></tr> <tr><td>MCFC:86</td><td>EC 1 D</td></tr> <tr><td>MCFC:87</td><td>EC 2 D</td></tr> <tr><td>MCFC:88</td><td>EC 2 D</td></tr> <tr><td>MCFC:89</td><td>EC 2 D</td></tr> <tr><td>MCFC:90</td><td>EC 2 D</td></tr> <tr><td>MCFC:91</td><td>EC 2 D</td></tr> <tr><td>MCFC:92</td><td>EC 2 D</td></tr> <tr><td>MCFC:93</td><td>ED 0 B</td></tr> <tr><td>MCFC:94</td><td>ED 1 B</td></tr> <tr><td>MCFC:95</td><td>ED 4 B</td></tr> <tr><td>MCFC:96</td><td>ED 4 B</td></tr> <tr><td>MCFC:97</td><td>ED 2 C</td></tr> <tr><td>MCFC:98</td><td>ED 2 C</td></tr> <tr><td>MCFC:99</td><td>ED 2 C</td></tr> <tr><td>MCFC:100</td><td>ED 2 C</td></tr> <tr><td>MCFC:101</td><td>ED 4 B</td></tr> <tr><td>MCFC:102</td><td>EC 3 D</td></tr> <tr><td>MCFC:103</td><td>FH 2 C</td></tr> <tr><td>MCFC:103</td><td>XB 1 D</td></tr> <tr><td>MCFC:103</td><td>XJ 1 B</td></tr> <tr><td>MCFC:104</td><td>FH 2 C</td></tr> </tbody> </table>	INLINE	PAGE	MCFC:83	XH 0 A	MCFC:83	XH 2 C	MCFC:83	XH 0 C	MCFC:83	XH 2 A	MCFC:83	XI 0 A	MCFC:83	XI 2 B	MCFC:84	XC 0 C	MCFC:84	XD 0 B	MCFC:84	XD 2 B	MCFC:84	XD 0 D	MCFC:84	XD 2 D	MCFC:84	XE 2 B	MCFC:84	XE 0 B	MCFC:84	XF 2 D	MCFC:84	XF 1 B	MCFC:84	XF 0 A	MCFC:84	XF 0 D	MCFC:84	XF 3 B	MCFC:84	XG 2 B	MCFC:84	XG 2 C	MCFC:84	XG 0 C	MCFC:84	XG 0 B	MCFC:84	XH 0 B	MCFC:84	XH 2 C	MCFC:84	XH 0 C	MCFC:84	XH 2 B	MCFC:84	XI 2 B	MCFC:85	EC 1 D	MCFC:86	EC 1 D	MCFC:87	EC 2 D	MCFC:88	EC 2 D	MCFC:89	EC 2 D	MCFC:90	EC 2 D	MCFC:91	EC 2 D	MCFC:92	EC 2 D	MCFC:93	ED 0 B	MCFC:94	ED 1 B	MCFC:95	ED 4 B	MCFC:96	ED 4 B	MCFC:97	ED 2 C	MCFC:98	ED 2 C	MCFC:99	ED 2 C	MCFC:100	ED 2 C	MCFC:101	ED 4 B	MCFC:102	EC 3 D	MCFC:103	FH 2 C	MCFC:103	XB 1 D	MCFC:103	XJ 1 B	MCFC:104	FH 2 C	<table border="1"> <thead> <tr><th>INLINE</th><th>PAGE</th></tr> </thead> <tbody> <tr><td>MCFC:104</td><td>XB 1 D</td></tr> <tr><td>MCFC:104</td><td>XJ 1 B</td></tr> <tr><td>MCFC:105</td><td>GD 2 B</td></tr> <tr><td>MCFC:105</td><td>GD 4 C</td></tr> <tr><td>MCFC:106</td><td>GD 2 B</td></tr> <tr><td>MCFC:107</td><td>FF 1 C</td></tr> <tr><td>MCFC:108</td><td>FF 1 C</td></tr> <tr><td>MCFC:109</td><td>GD 2 B</td></tr> <tr><td>MCFC:109</td><td>GD 4 C</td></tr> <tr><td>MCFC:110</td><td>EE 1 B</td></tr> <tr><td>MCFC:110</td><td>FB 1 C</td></tr> <tr><td>MCFC:111</td><td>CH 3 C</td></tr> <tr><td>MCFC:111</td><td>FG 2 B</td></tr> <tr><td>MCFC:112</td><td>BH 2 D</td></tr> <tr><td>MCFC:112</td><td>FG 2 B</td></tr> <tr><td>MCFC:113</td><td>BH 3 D</td></tr> <tr><td>MCFC:113</td><td>FG 2 B</td></tr> <tr><td>MCFC:114</td><td>DP 1 C</td></tr> <tr><td>MCFC:114</td><td>DP 1 C</td></tr> <tr><td>MCFC:115</td><td>GD 2 B</td></tr> <tr><td>MCFC:116</td><td>AF 1 C</td></tr> <tr><td>MCFC:116</td><td>AK 1 C</td></tr> <tr><td>MCFC:117</td><td>GK 1 C</td></tr> <tr><td>MCFC:118</td><td>XA 0 C</td></tr> <tr><td>MCFC:119</td><td>GP 2 A</td></tr> <tr><td>MCFC:120</td><td>XA 0 C</td></tr> <tr><td>MCFC:121</td><td>BM 5 A</td></tr> <tr><td>MCFC:122</td><td>DF 3 E</td></tr> <tr><td>MCFC:123</td><td>DF 3 D</td></tr> <tr><td>MCFC:124</td><td>GP 2 C</td></tr> <tr><td>MCFC:125</td><td>GP 1 C</td></tr> <tr><td>MCFC:126</td><td>NA 1 D</td></tr> <tr><td>MCFC:127</td><td>NA 1 D</td></tr> <tr><td>MCFC:128</td><td>NA 3 D</td></tr> <tr><td>MCFCOPT:1</td><td>ED 2 B</td></tr> <tr><td>MCFCOPT:2</td><td>ED 3 B</td></tr> <tr><td>MCFCOPT:3</td><td>ED 3 C</td></tr> <tr><td>MCFCOPT:4</td><td>CL 0 B</td></tr> <tr><td>MCFCOPT:5</td><td>CL 0 B</td></tr> <tr><td>MCFCOPT:6</td><td>GI 1 D</td></tr> <tr><td>MCFCOPT:7</td><td>GI 1 D</td></tr> <tr><td>MCFCOPT:8</td><td>GI 2 D</td></tr> <tr><td>MCFCOPT:9</td><td>GI 2 D</td></tr> <tr><td>MCFCOPT:10</td><td>BP 2 D</td></tr> <tr><td>MCFCOPT:11</td><td>CM 3 C</td></tr> <tr><td>MCFCOPT:12</td><td>JE 2 B</td></tr> <tr><td>MCFCOPT:13</td><td>JE 2 B</td></tr> <tr><td>MCFCOPT:14</td><td>CM 3 C</td></tr> <tr><td>MCFCOPT:15</td><td>EB 2 D</td></tr> <tr><td>MCFCOPT:15</td><td>EH 2 D</td></tr> </tbody> </table>	INLINE	PAGE	MCFC:104	XB 1 D	MCFC:104	XJ 1 B	MCFC:105	GD 2 B	MCFC:105	GD 4 C	MCFC:106	GD 2 B	MCFC:107	FF 1 C	MCFC:108	FF 1 C	MCFC:109	GD 2 B	MCFC:109	GD 4 C	MCFC:110	EE 1 B	MCFC:110	FB 1 C	MCFC:111	CH 3 C	MCFC:111	FG 2 B	MCFC:112	BH 2 D	MCFC:112	FG 2 B	MCFC:113	BH 3 D	MCFC:113	FG 2 B	MCFC:114	DP 1 C	MCFC:114	DP 1 C	MCFC:115	GD 2 B	MCFC:116	AF 1 C	MCFC:116	AK 1 C	MCFC:117	GK 1 C	MCFC:118	XA 0 C	MCFC:119	GP 2 A	MCFC:120	XA 0 C	MCFC:121	BM 5 A	MCFC:122	DF 3 E	MCFC:123	DF 3 D	MCFC:124	GP 2 C	MCFC:125	GP 1 C	MCFC:126	NA 1 D	MCFC:127	NA 1 D	MCFC:128	NA 3 D	MCFCOPT:1	ED 2 B	MCFCOPT:2	ED 3 B	MCFCOPT:3	ED 3 C	MCFCOPT:4	CL 0 B	MCFCOPT:5	CL 0 B	MCFCOPT:6	GI 1 D	MCFCOPT:7	GI 1 D	MCFCOPT:8	GI 2 D	MCFCOPT:9	GI 2 D	MCFCOPT:10	BP 2 D	MCFCOPT:11	CM 3 C	MCFCOPT:12	JE 2 B	MCFCOPT:13	JE 2 B	MCFCOPT:14	CM 3 C	MCFCOPT:15	EB 2 D	MCFCOPT:15	EH 2 D	<table border="1"> <thead> <tr><th>INLINE</th><th>PAGE</th></tr> </thead> <tbody> <tr><td>MCFCOPT:16</td><td>EB 2 D</td></tr> <tr><td>MCFCOPT:16</td><td>EH 2 D</td></tr> <tr><td>MCFCOPT:17</td><td>EB 2 D</td></tr> <tr><td>MCFCOPT:17</td><td>EH 2 D</td></tr> <tr><td>MCFCOPT:18</td><td>EH 1 C</td></tr> <tr><td>MCFCOPT:18</td><td>EH 1 C</td></tr> <tr><td>MCFCOPT:19</td><td>EB 1 C</td></tr> <tr><td>MCFCOPT:19</td><td>EH 1 C</td></tr> <tr><td>MCFCOPT:20</td><td>CL 1 B</td></tr> <tr><td>MCFCOPT:21</td><td>EB 2 C</td></tr> <tr><td>MCFCOPT:21</td><td>EH 2 C</td></tr> <tr><td>MCFCOPT:22</td><td>EB 2 C</td></tr> <tr><td>MCFCOPT:22</td><td>EH 2 C</td></tr> <tr><td>MCFCOPT:23</td><td>EH 2 C</td></tr> <tr><td>MCFCOPT:24</td><td>CL 1 B</td></tr> <tr><td>MCFCOPT:25</td><td>CM 3 C</td></tr> <tr><td>MCFCOPT:26</td><td>JE 1 B</td></tr> <tr><td>MCFCOPT:27</td><td>BP 2 C</td></tr> <tr><td>MCFCOPT:28</td><td>GG 2 A</td></tr> <tr><td>MCFCOPT:29</td><td>EB 1 D</td></tr> <tr><td>MCFCOPT:29</td><td>EH 2 D</td></tr> <tr><td>MCIS:1</td><td>DA 2 D</td></tr> <tr><td>MCIS:2</td><td>DA 2 D</td></tr> <tr><td>MCMJ1:1</td><td>IC 4 B</td></tr> <tr><td>MCMJ1:2</td><td>IC 3 D</td></tr> <tr><td>MCMJ1:3</td><td>IC 4 A</td></tr> <tr><td>MCMJ1:4</td><td>IC 4 B</td></tr> <tr><td>MCMJ1:5</td><td>IC 4 B</td></tr> <tr><td>MCMJ2:1</td><td>IC 0 B</td></tr> <tr><td>MCMJ2:2</td><td>IC 1 D</td></tr> <tr><td>MCMJ2:3</td><td>IC 0 B</td></tr> <tr><td>MCMJ2:4</td><td>IC 0 B</td></tr> <tr><td>MCMJ2:5</td><td>IC 0 B</td></tr> <tr><td>MCML1:A</td><td>IE 2 B</td></tr> <tr><td>MCML1:A</td><td>IE 2 B</td></tr> <tr><td>MCML1:B</td><td>IE 2 D</td></tr> <tr><td>MCML1:B</td><td>IE 2 D</td></tr> <tr><td>MCML2:A</td><td>IE 2 B</td></tr> <tr><td>MCML2:A</td><td>IE 2 B</td></tr> <tr><td>MCML2:B</td><td>IE 2 D</td></tr> <tr><td>MCML2:B</td><td>IE 2 D</td></tr> <tr><td>MCOF1:A</td><td>IA 0 B</td></tr> <tr><td>MCOF1:B</td><td>IA 0 B</td></tr> <tr><td>MCOF1:C</td><td>GC 2 C</td></tr> <tr><td>MCOF1:D</td><td>AE 3 A</td></tr> <tr><td>MCOF1:E</td><td>AE 3 B</td></tr> <tr><td>MCOF1:F</td><td>KD 2 B</td></tr> <tr><td>MCOF1:G</td><td>KD 2 B</td></tr> <tr><td>MCOF1:H</td><td>AE 3 B</td></tr> <tr><td>MCOF2:A</td><td>GB 3 D</td></tr> </tbody> </table>	INLINE	PAGE	MCFCOPT:16	EB 2 D	MCFCOPT:16	EH 2 D	MCFCOPT:17	EB 2 D	MCFCOPT:17	EH 2 D	MCFCOPT:18	EH 1 C	MCFCOPT:18	EH 1 C	MCFCOPT:19	EB 1 C	MCFCOPT:19	EH 1 C	MCFCOPT:20	CL 1 B	MCFCOPT:21	EB 2 C	MCFCOPT:21	EH 2 C	MCFCOPT:22	EB 2 C	MCFCOPT:22	EH 2 C	MCFCOPT:23	EH 2 C	MCFCOPT:24	CL 1 B	MCFCOPT:25	CM 3 C	MCFCOPT:26	JE 1 B	MCFCOPT:27	BP 2 C	MCFCOPT:28	GG 2 A	MCFCOPT:29	EB 1 D	MCFCOPT:29	EH 2 D	MCIS:1	DA 2 D	MCIS:2	DA 2 D	MCMJ1:1	IC 4 B	MCMJ1:2	IC 3 D	MCMJ1:3	IC 4 A	MCMJ1:4	IC 4 B	MCMJ1:5	IC 4 B	MCMJ2:1	IC 0 B	MCMJ2:2	IC 1 D	MCMJ2:3	IC 0 B	MCMJ2:4	IC 0 B	MCMJ2:5	IC 0 B	MCML1:A	IE 2 B	MCML1:A	IE 2 B	MCML1:B	IE 2 D	MCML1:B	IE 2 D	MCML2:A	IE 2 B	MCML2:A	IE 2 B	MCML2:B	IE 2 D	MCML2:B	IE 2 D	MCOF1:A	IA 0 B	MCOF1:B	IA 0 B	MCOF1:C	GC 2 C	MCOF1:D	AE 3 A	MCOF1:E	AE 3 B	MCOF1:F	KD 2 B	MCOF1:G	KD 2 B	MCOF1:H	AE 3 B	MCOF2:A	GB 3 D	<table border="1"> <thead> <tr><th>INLINE</th><th>PAGE</th></tr> </thead> <tbody> <tr><td>MCOF2:B</td><td>GB 3 D</td></tr> <tr><td>MCOF2:C</td><td>GB 3 D</td></tr> <tr><td>MCQS1:1</td><td>BE 2 D</td></tr> <tr><td>MCQS1:1</td><td>BE 3 C</td></tr> <tr><td>MCQS1:2</td><td>BE 2 C</td></tr> <tr><td>MCQS1:2</td><td>BE 3 C</td></tr> <tr><td>MCQS2:A</td><td>BE 4 D</td></tr> <tr><td>MCQS2:B</td><td>BE 4 C</td></tr> <tr><td>MCQS2:C</td><td>BE 4 C</td></tr> <tr><td>MCQS2:D</td><td>BE 4 C</td></tr> <tr><td>MCRM:A</td><td>CM 1 B</td></tr> <tr><td>MCRM:B</td><td>CM 0 D</td></tr> <tr><td>MCRM:C</td><td>CM 2 C</td></tr> <tr><td>MCRM:D</td><td>CM 2 C</td></tr> <tr><td>MCRM:E</td><td>CM 2 C</td></tr> <tr><td>MCRM:F</td><td>CM 2 C</td></tr> <tr><td>MCRM:G</td><td>CM 2 C</td></tr> <tr><td>MCRM:H</td><td>CM 2 C</td></tr> <tr><td>MCRM:I</td><td>CM 2 C</td></tr> <tr><td>MCRM:J</td><td>CM 2 C</td></tr> <tr><td>MCRM:K</td><td>CM 2 C</td></tr> <tr><td>MCRM:L</td><td>CM 2 C</td></tr> <tr><td>MCRM:M</td><td>CM 2 C</td></tr> <tr><td>MCRM:N</td><td>CM 2 C</td></tr> <tr><td>MCRM:O</td><td>CM 2 C</td></tr> <tr><td>MCRM:P</td><td>CM 2 C</td></tr> <tr><td>MCRM:Q</td><td>CM 2 C</td></tr> <tr><td>MCRM:R</td><td>CM 2 C</td></tr> <tr><td>MCRM:S</td><td>CM 2 C</td></tr> <tr><td>MCRM:T</td><td>CM 2 C</td></tr> <tr><td>MCRM:U</td><td>CM 2 C</td></tr> <tr><td>MCRM:V</td><td>CM 2 C</td></tr> <tr><td>MCRM:W</td><td>CM 2 C</td></tr> <tr><td>MCRM:X</td><td>CM 2 C</td></tr> <tr><td>MCRM:Y</td><td>CM 2 C</td></tr> <tr><td>MCRM:Z</td><td>CM 2 C</td></tr> </tbody> </table>	INLINE	PAGE	MCOF2:B	GB 3 D	MCOF2:C	GB 3 D	MCQS1:1	BE 2 D	MCQS1:1	BE 3 C	MCQS1:2	BE 2 C	MCQS1:2	BE 3 C	MCQS2:A	BE 4 D	MCQS2:B	BE 4 C	MCQS2:C	BE 4 C	MCQS2:D	BE 4 C	MCRM:A	CM 1 B	MCRM:B	CM 0 D	MCRM:C	CM 2 C	MCRM:D	CM 2 C	MCRM:E	CM 2 C	MCRM:F	CM 2 C	MCRM:G	CM 2 C	MCRM:H	CM 2 C	MCRM:I	CM 2 C	MCRM:J	CM 2 C	MCRM:K	CM 2 C	MCRM:L	CM 2 C	MCRM:M	CM 2 C	MCRM:N	CM 2 C	MCRM:O	CM 2 C	MCRM:P	CM 2 C	MCRM:Q	CM 2 C	MCRM:R	CM 2 C	MCRM:S	CM 2 C	MCRM:T	CM 2 C	MCRM:U	CM 2 C	MCRM:V	CM 2 C	MCRM:W	CM 2 C	MCRM:X	CM 2 C	MCRM:Y	CM 2 C	MCRM:Z	CM 2 C	<table border="1"> <thead> <tr><th>INLINE</th><th>PAGE</th></tr> </thead> <tbody> <tr><td>MCSEM1:8</td><td>KM 2 B</td></tr> <tr><td>MCSEM1:8</td><td>KN 1 B</td></tr> <tr><td>MCSEM1:8</td><td>KN 1 B</td></tr> <tr><td>MCSEM1:8</td><td>KN 1 B</td></tr> <tr><td>MCSEM1:9</td><td>KL 1 C</td></tr> <tr><td>MCSEM1:9</td><td>KM 2 C</td></tr> <tr><td>MCSEM1:9</td><td>KN 1 C</td></tr> <tr><td>MCSEM1:10</td><td>KL 1 C</td></tr> <tr><td>MCSEM1:10</td><td>KM 2 C</td></tr> <tr><td>MCSEM1:10</td><td>KN 1 C</td></tr> <tr><td>MCSEM1:13</td><td>KL 2 C</td></tr> <tr><td>MCSEM1:13</td><td>KM 3 C</td></tr> <tr><td>MCSEM1:13</td><td>KN 2 C</td></tr> <tr><td>MCSEM1:14</td><td>KL 2 C</td></tr> <tr><td>MCSEM1:14</td><td>KM 3 C</td></tr> <tr><td>MCSEM1:14</td><td>KN 2 C</td></tr> <tr><td>MCSEM1:15</td><td>KL 1 B</td></tr> <tr><td>MCSEM1:15</td><td>KL 2 B</td></tr> <tr><td>MCSEM1:15</td><td>KN 1 B</td></tr> <tr><td>MCSEM1:16</td><td>KL 3 C</td></tr> <tr><td>MCSEM1:16</td><td>KM 4 C</td></tr> <tr><td>MCSEM1:16</td><td>KN 3 C</td></tr> <tr><td>MCSEM2:4</td><td>KL 2 B</td></tr> <tr><td>MCSEM2:15</td><td>KN 3 B</td></tr> <tr><td>MCSEM2:16</td><td>KN 3 B</td></tr> <tr><td>MCSL1:A</td><td>KF 0 D</td></tr> <tr><td>MCSL1:A</td><td>KF 1 D</td></tr> <tr><td>MCSL1:A</td><td>KF 0 A</td></tr> <tr><td>MCSL1:A</td><td>KG 4 D</td></tr> <tr><td>MCSL1:A</td><td>KG 2 C</td></tr> <tr><td>MCSL1:A</td><td>KM 0 D</td></tr> <tr><td>MCSL1:A</td><td>KM 0 A</td></tr> <tr><td>MCSL1:A</td><td>KM 1 D</td></tr> <tr><td>MCSL1:A</td><td>KN 4 C</td></tr> <tr><td>MCSL1:A</td><td>KN 2 C</td></tr> <tr><td>MCSL1:B</td><td>KF 0 A</td></tr> <tr><td>MCSL1:B</td><td>KF 0 D</td></tr> <tr><td>MCSL1:B</td><td>KF 1 D</td></tr> <tr><td>MCSL1:B</td><td>KG 4 D</td></tr> <tr><td>MCSL1:B</td><td>KG 2 C</td></tr> <tr><td>MCSL1:B</td><td>KG 2 C</td></tr> <tr><td>MCSL1:B</td><td>KM 0 D</td></tr> <tr><td>MCSL1:B</td><td>KM 0 A</td></tr> <tr><td>MCSL1:B</td><td>KM 1 D</td></tr> <tr><td>MCSL1:B</td><td>KN 4 C</td></tr> <tr><td>MCSL1:B</td><td>KN 2 C</td></tr> <tr><td>MCSL1:C</td><td>KF 0 A</td></tr> <tr><td>MCSL1:C</td><td>KF 0 D</td></tr> <tr><td>MCSL1:C</td><td>KG 3 C</td></tr> <tr><td>MCSL1:C</td><td>KG 4 D</td></tr> </tbody> </table>	INLINE	PAGE	MCSEM1:8	KM 2 B	MCSEM1:8	KN 1 B	MCSEM1:8	KN 1 B	MCSEM1:8	KN 1 B	MCSEM1:9	KL 1 C	MCSEM1:9	KM 2 C	MCSEM1:9	KN 1 C	MCSEM1:10	KL 1 C	MCSEM1:10	KM 2 C	MCSEM1:10	KN 1 C	MCSEM1:13	KL 2 C	MCSEM1:13	KM 3 C	MCSEM1:13	KN 2 C	MCSEM1:14	KL 2 C	MCSEM1:14	KM 3 C	MCSEM1:14	KN 2 C	MCSEM1:15	KL 1 B	MCSEM1:15	KL 2 B	MCSEM1:15	KN 1 B	MCSEM1:16	KL 3 C	MCSEM1:16	KM 4 C	MCSEM1:16	KN 3 C	MCSEM2:4	KL 2 B	MCSEM2:15	KN 3 B	MCSEM2:16	KN 3 B	MCSL1:A	KF 0 D	MCSL1:A	KF 1 D	MCSL1:A	KF 0 A	MCSL1:A	KG 4 D	MCSL1:A	KG 2 C	MCSL1:A	KM 0 D	MCSL1:A	KM 0 A	MCSL1:A	KM 1 D	MCSL1:A	KN 4 C	MCSL1:A	KN 2 C	MCSL1:B	KF 0 A	MCSL1:B	KF 0 D	MCSL1:B	KF 1 D	MCSL1:B	KG 4 D	MCSL1:B	KG 2 C	MCSL1:B	KG 2 C	MCSL1:B	KM 0 D	MCSL1:B	KM 0 A	MCSL1:B	KM 1 D	MCSL1:B	KN 4 C	MCSL1:B	KN 2 C	MCSL1:C	KF 0 A	MCSL1:C	KF 0 D	MCSL1:C	KG 3 C	MCSL1:C	KG 4 D	A
INLINE	PAGE																																																																																																																																																																																																																																																																																																																																																																																																																																																																																																																																																																																																										
MCFC:63	FC 3 C																																																																																																																																																																																																																																																																																																																																																																																																																																																																																																																																																																																																										
MCFC:63	FC 2 C																																																																																																																																																																																																																																																																																																																																																																																																																																																																																																																																																																																																										
MCFC:63	FE 2 C																																																																																																																																																																																																																																																																																																																																																																																																																																																																																																																																																																																																										
MCFC:64	GB 1 C																																																																																																																																																																																																																																																																																																																																																																																																																																																																																																																																																																																																										
MCFC:65	GB 1 C																																																																																																																																																																																																																																																																																																																																																																																																																																																																																																																																																																																																										
MCFC:66	BM 5 B																																																																																																																																																																																																																																																																																																																																																																																																																																																																																																																																																																																																										
MCFC:67	BB 4 D																																																																																																																																																																																																																																																																																																																																																																																																																																																																																																																																																																																																										
MCFC:68	BA 3 D																																																																																																																																																																																																																																																																																																																																																																																																																																																																																																																																																																																																										
MCFC:69	GP 2 A																																																																																																																																																																																																																																																																																																																																																																																																																																																																																																																																																																																																										
MCFC:70	GQ 1 D																																																																																																																																																																																																																																																																																																																																																																																																																																																																																																																																																																																																										
MCFC:71	GB 1 D																																																																																																																																																																																																																																																																																																																																																																																																																																																																																																																																																																																																										
MCFC:72	GQ 2 D																																																																																																																																																																																																																																																																																																																																																																																																																																																																																																																																																																																																										
MCFC:72	GQ 2 D																																																																																																																																																																																																																																																																																																																																																																																																																																																																																																																																																																																																										
MCFC:72	GQ 3 D																																																																																																																																																																																																																																																																																																																																																																																																																																																																																																																																																																																																										
MCFC:73	GQ 3 B																																																																																																																																																																																																																																																																																																																																																																																																																																																																																																																																																																																																										
MCFC:73	GQ 2 B																																																																																																																																																																																																																																																																																																																																																																																																																																																																																																																																																																																																										
MCFC:73	GQ 2 B																																																																																																																																																																																																																																																																																																																																																																																																																																																																																																																																																																																																										
MCFC:74	GE 1 B																																																																																																																																																																																																																																																																																																																																																																																																																																																																																																																																																																																																										
MCFC:74	GE 2 B																																																																																																																																																																																																																																																																																																																																																																																																																																																																																																																																																																																																										
MCFC:74	GE 4 B																																																																																																																																																																																																																																																																																																																																																																																																																																																																																																																																																																																																										
MCFC:75	GE 0 B																																																																																																																																																																																																																																																																																																																																																																																																																																																																																																																																																																																																										
MCFC:75	GE 0 B																																																																																																																																																																																																																																																																																																																																																																																																																																																																																																																																																																																																										
MCFC:75	GE 2 B																																																																																																																																																																																																																																																																																																																																																																																																																																																																																																																																																																																																										
MCFC:75	GE 3 B																																																																																																																																																																																																																																																																																																																																																																																																																																																																																																																																																																																																										
MCFC:76	BB 2 C																																																																																																																																																																																																																																																																																																																																																																																																																																																																																																																																																																																																										
MCFC:77	GD 0 B																																																																																																																																																																																																																																																																																																																																																																																																																																																																																																																																																																																																										
MCFC:78	GD 1 B																																																																																																																																																																																																																																																																																																																																																																																																																																																																																																																																																																																																										
MCFC:78	GD 3 C																																																																																																																																																																																																																																																																																																																																																																																																																																																																																																																																																																																																										
MCFC:79	GD 1 B																																																																																																																																																																																																																																																																																																																																																																																																																																																																																																																																																																																																										
MCFC:80	GD 2 B																																																																																																																																																																																																																																																																																																																																																																																																																																																																																																																																																																																																										
MCFC:81	GD 2 B																																																																																																																																																																																																																																																																																																																																																																																																																																																																																																																																																																																																										
MCFC:81	GD 4 C																																																																																																																																																																																																																																																																																																																																																																																																																																																																																																																																																																																																										
MCFC:82	EC 2 B																																																																																																																																																																																																																																																																																																																																																																																																																																																																																																																																																																																																										
MCFC:83	XC 0 C																																																																																																																																																																																																																																																																																																																																																																																																																																																																																																																																																																																																										
MCFC:83	XD 0 B																																																																																																																																																																																																																																																																																																																																																																																																																																																																																																																																																																																																										
MCFC:83	XD 2 B																																																																																																																																																																																																																																																																																																																																																																																																																																																																																																																																																																																																										
MCFC:83	XD 0 C																																																																																																																																																																																																																																																																																																																																																																																																																																																																																																																																																																																																										
MCFC:83	XD 2 C																																																																																																																																																																																																																																																																																																																																																																																																																																																																																																																																																																																																										
MCFC:83	XE 2 B																																																																																																																																																																																																																																																																																																																																																																																																																																																																																																																																																																																																										
MCFC:83	XE 0 B																																																																																																																																																																																																																																																																																																																																																																																																																																																																																																																																																																																																										
MCFC:83	XF 2 C																																																																																																																																																																																																																																																																																																																																																																																																																																																																																																																																																																																																										
MCFC:83	XF 1 A																																																																																																																																																																																																																																																																																																																																																																																																																																																																																																																																																																																																										
MCFC:83	XF 0 A																																																																																																																																																																																																																																																																																																																																																																																																																																																																																																																																																																																																										
MCFC:83	XF 0 C																																																																																																																																																																																																																																																																																																																																																																																																																																																																																																																																																																																																										
MCFC:83	XF 3 B																																																																																																																																																																																																																																																																																																																																																																																																																																																																																																																																																																																																										
MCFC:83	XG 2 A																																																																																																																																																																																																																																																																																																																																																																																																																																																																																																																																																																																																										
MCFC:83	XG 2 C																																																																																																																																																																																																																																																																																																																																																																																																																																																																																																																																																																																																										
MCFC:83	XG 0 C																																																																																																																																																																																																																																																																																																																																																																																																																																																																																																																																																																																																										
MCFC:83	XG 0 A																																																																																																																																																																																																																																																																																																																																																																																																																																																																																																																																																																																																										
INLINE	PAGE																																																																																																																																																																																																																																																																																																																																																																																																																																																																																																																																																																																																										
MCFC:83	XH 0 A																																																																																																																																																																																																																																																																																																																																																																																																																																																																																																																																																																																																										
MCFC:83	XH 2 C																																																																																																																																																																																																																																																																																																																																																																																																																																																																																																																																																																																																										
MCFC:83	XH 0 C																																																																																																																																																																																																																																																																																																																																																																																																																																																																																																																																																																																																										
MCFC:83	XH 2 A																																																																																																																																																																																																																																																																																																																																																																																																																																																																																																																																																																																																										
MCFC:83	XI 0 A																																																																																																																																																																																																																																																																																																																																																																																																																																																																																																																																																																																																										
MCFC:83	XI 2 B																																																																																																																																																																																																																																																																																																																																																																																																																																																																																																																																																																																																										
MCFC:84	XC 0 C																																																																																																																																																																																																																																																																																																																																																																																																																																																																																																																																																																																																										
MCFC:84	XD 0 B																																																																																																																																																																																																																																																																																																																																																																																																																																																																																																																																																																																																										
MCFC:84	XD 2 B																																																																																																																																																																																																																																																																																																																																																																																																																																																																																																																																																																																																										
MCFC:84	XD 0 D																																																																																																																																																																																																																																																																																																																																																																																																																																																																																																																																																																																																										
MCFC:84	XD 2 D																																																																																																																																																																																																																																																																																																																																																																																																																																																																																																																																																																																																										
MCFC:84	XE 2 B																																																																																																																																																																																																																																																																																																																																																																																																																																																																																																																																																																																																										
MCFC:84	XE 0 B																																																																																																																																																																																																																																																																																																																																																																																																																																																																																																																																																																																																										
MCFC:84	XF 2 D																																																																																																																																																																																																																																																																																																																																																																																																																																																																																																																																																																																																										
MCFC:84	XF 1 B																																																																																																																																																																																																																																																																																																																																																																																																																																																																																																																																																																																																										
MCFC:84	XF 0 A																																																																																																																																																																																																																																																																																																																																																																																																																																																																																																																																																																																																										
MCFC:84	XF 0 D																																																																																																																																																																																																																																																																																																																																																																																																																																																																																																																																																																																																										
MCFC:84	XF 3 B																																																																																																																																																																																																																																																																																																																																																																																																																																																																																																																																																																																																										
MCFC:84	XG 2 B																																																																																																																																																																																																																																																																																																																																																																																																																																																																																																																																																																																																										
MCFC:84	XG 2 C																																																																																																																																																																																																																																																																																																																																																																																																																																																																																																																																																																																																										
MCFC:84	XG 0 C																																																																																																																																																																																																																																																																																																																																																																																																																																																																																																																																																																																																										
MCFC:84	XG 0 B																																																																																																																																																																																																																																																																																																																																																																																																																																																																																																																																																																																																										
MCFC:84	XH 0 B																																																																																																																																																																																																																																																																																																																																																																																																																																																																																																																																																																																																										
MCFC:84	XH 2 C																																																																																																																																																																																																																																																																																																																																																																																																																																																																																																																																																																																																										
MCFC:84	XH 0 C																																																																																																																																																																																																																																																																																																																																																																																																																																																																																																																																																																																																										
MCFC:84	XH 2 B																																																																																																																																																																																																																																																																																																																																																																																																																																																																																																																																																																																																										
MCFC:84	XI 2 B																																																																																																																																																																																																																																																																																																																																																																																																																																																																																																																																																																																																										
MCFC:85	EC 1 D																																																																																																																																																																																																																																																																																																																																																																																																																																																																																																																																																																																																										
MCFC:86	EC 1 D																																																																																																																																																																																																																																																																																																																																																																																																																																																																																																																																																																																																										
MCFC:87	EC 2 D																																																																																																																																																																																																																																																																																																																																																																																																																																																																																																																																																																																																										
MCFC:88	EC 2 D																																																																																																																																																																																																																																																																																																																																																																																																																																																																																																																																																																																																										
MCFC:89	EC 2 D																																																																																																																																																																																																																																																																																																																																																																																																																																																																																																																																																																																																										
MCFC:90	EC 2 D																																																																																																																																																																																																																																																																																																																																																																																																																																																																																																																																																																																																										
MCFC:91	EC 2 D																																																																																																																																																																																																																																																																																																																																																																																																																																																																																																																																																																																																										
MCFC:92	EC 2 D																																																																																																																																																																																																																																																																																																																																																																																																																																																																																																																																																																																																										
MCFC:93	ED 0 B																																																																																																																																																																																																																																																																																																																																																																																																																																																																																																																																																																																																										
MCFC:94	ED 1 B																																																																																																																																																																																																																																																																																																																																																																																																																																																																																																																																																																																																										
MCFC:95	ED 4 B																																																																																																																																																																																																																																																																																																																																																																																																																																																																																																																																																																																																										
MCFC:96	ED 4 B																																																																																																																																																																																																																																																																																																																																																																																																																																																																																																																																																																																																										
MCFC:97	ED 2 C																																																																																																																																																																																																																																																																																																																																																																																																																																																																																																																																																																																																										
MCFC:98	ED 2 C																																																																																																																																																																																																																																																																																																																																																																																																																																																																																																																																																																																																										
MCFC:99	ED 2 C																																																																																																																																																																																																																																																																																																																																																																																																																																																																																																																																																																																																										
MCFC:100	ED 2 C																																																																																																																																																																																																																																																																																																																																																																																																																																																																																																																																																																																																										
MCFC:101	ED 4 B																																																																																																																																																																																																																																																																																																																																																																																																																																																																																																																																																																																																										
MCFC:102	EC 3 D																																																																																																																																																																																																																																																																																																																																																																																																																																																																																																																																																																																																										
MCFC:103	FH 2 C																																																																																																																																																																																																																																																																																																																																																																																																																																																																																																																																																																																																										
MCFC:103	XB 1 D																																																																																																																																																																																																																																																																																																																																																																																																																																																																																																																																																																																																										
MCFC:103	XJ 1 B																																																																																																																																																																																																																																																																																																																																																																																																																																																																																																																																																																																																										
MCFC:104	FH 2 C																																																																																																																																																																																																																																																																																																																																																																																																																																																																																																																																																																																																										
INLINE	PAGE																																																																																																																																																																																																																																																																																																																																																																																																																																																																																																																																																																																																										
MCFC:104	XB 1 D																																																																																																																																																																																																																																																																																																																																																																																																																																																																																																																																																																																																										
MCFC:104	XJ 1 B																																																																																																																																																																																																																																																																																																																																																																																																																																																																																																																																																																																																										
MCFC:105	GD 2 B																																																																																																																																																																																																																																																																																																																																																																																																																																																																																																																																																																																																										
MCFC:105	GD 4 C																																																																																																																																																																																																																																																																																																																																																																																																																																																																																																																																																																																																										
MCFC:106	GD 2 B																																																																																																																																																																																																																																																																																																																																																																																																																																																																																																																																																																																																										
MCFC:107	FF 1 C																																																																																																																																																																																																																																																																																																																																																																																																																																																																																																																																																																																																										
MCFC:108	FF 1 C																																																																																																																																																																																																																																																																																																																																																																																																																																																																																																																																																																																																										
MCFC:109	GD 2 B																																																																																																																																																																																																																																																																																																																																																																																																																																																																																																																																																																																																										
MCFC:109	GD 4 C																																																																																																																																																																																																																																																																																																																																																																																																																																																																																																																																																																																																										
MCFC:110	EE 1 B																																																																																																																																																																																																																																																																																																																																																																																																																																																																																																																																																																																																										
MCFC:110	FB 1 C																																																																																																																																																																																																																																																																																																																																																																																																																																																																																																																																																																																																										
MCFC:111	CH 3 C																																																																																																																																																																																																																																																																																																																																																																																																																																																																																																																																																																																																										
MCFC:111	FG 2 B																																																																																																																																																																																																																																																																																																																																																																																																																																																																																																																																																																																																										
MCFC:112	BH 2 D																																																																																																																																																																																																																																																																																																																																																																																																																																																																																																																																																																																																										
MCFC:112	FG 2 B																																																																																																																																																																																																																																																																																																																																																																																																																																																																																																																																																																																																										
MCFC:113	BH 3 D																																																																																																																																																																																																																																																																																																																																																																																																																																																																																																																																																																																																										
MCFC:113	FG 2 B																																																																																																																																																																																																																																																																																																																																																																																																																																																																																																																																																																																																										
MCFC:114	DP 1 C																																																																																																																																																																																																																																																																																																																																																																																																																																																																																																																																																																																																										
MCFC:114	DP 1 C																																																																																																																																																																																																																																																																																																																																																																																																																																																																																																																																																																																																										
MCFC:115	GD 2 B																																																																																																																																																																																																																																																																																																																																																																																																																																																																																																																																																																																																										
MCFC:116	AF 1 C																																																																																																																																																																																																																																																																																																																																																																																																																																																																																																																																																																																																										
MCFC:116	AK 1 C																																																																																																																																																																																																																																																																																																																																																																																																																																																																																																																																																																																																										
MCFC:117	GK 1 C																																																																																																																																																																																																																																																																																																																																																																																																																																																																																																																																																																																																										
MCFC:118	XA 0 C																																																																																																																																																																																																																																																																																																																																																																																																																																																																																																																																																																																																										
MCFC:119	GP 2 A																																																																																																																																																																																																																																																																																																																																																																																																																																																																																																																																																																																																										
MCFC:120	XA 0 C																																																																																																																																																																																																																																																																																																																																																																																																																																																																																																																																																																																																										
MCFC:121	BM 5 A																																																																																																																																																																																																																																																																																																																																																																																																																																																																																																																																																																																																										
MCFC:122	DF 3 E																																																																																																																																																																																																																																																																																																																																																																																																																																																																																																																																																																																																										
MCFC:123	DF 3 D																																																																																																																																																																																																																																																																																																																																																																																																																																																																																																																																																																																																										
MCFC:124	GP 2 C																																																																																																																																																																																																																																																																																																																																																																																																																																																																																																																																																																																																										
MCFC:125	GP 1 C																																																																																																																																																																																																																																																																																																																																																																																																																																																																																																																																																																																																										
MCFC:126	NA 1 D																																																																																																																																																																																																																																																																																																																																																																																																																																																																																																																																																																																																										
MCFC:127	NA 1 D																																																																																																																																																																																																																																																																																																																																																																																																																																																																																																																																																																																																										
MCFC:128	NA 3 D																																																																																																																																																																																																																																																																																																																																																																																																																																																																																																																																																																																																										
MCFCOPT:1	ED 2 B																																																																																																																																																																																																																																																																																																																																																																																																																																																																																																																																																																																																										
MCFCOPT:2	ED 3 B																																																																																																																																																																																																																																																																																																																																																																																																																																																																																																																																																																																																										
MCFCOPT:3	ED 3 C																																																																																																																																																																																																																																																																																																																																																																																																																																																																																																																																																																																																										
MCFCOPT:4	CL 0 B																																																																																																																																																																																																																																																																																																																																																																																																																																																																																																																																																																																																										
MCFCOPT:5	CL 0 B																																																																																																																																																																																																																																																																																																																																																																																																																																																																																																																																																																																																										
MCFCOPT:6	GI 1 D																																																																																																																																																																																																																																																																																																																																																																																																																																																																																																																																																																																																										
MCFCOPT:7	GI 1 D																																																																																																																																																																																																																																																																																																																																																																																																																																																																																																																																																																																																										
MCFCOPT:8	GI 2 D																																																																																																																																																																																																																																																																																																																																																																																																																																																																																																																																																																																																										
MCFCOPT:9	GI 2 D																																																																																																																																																																																																																																																																																																																																																																																																																																																																																																																																																																																																										
MCFCOPT:10	BP 2 D																																																																																																																																																																																																																																																																																																																																																																																																																																																																																																																																																																																																										
MCFCOPT:11	CM 3 C																																																																																																																																																																																																																																																																																																																																																																																																																																																																																																																																																																																																										
MCFCOPT:12	JE 2 B																																																																																																																																																																																																																																																																																																																																																																																																																																																																																																																																																																																																										
MCFCOPT:13	JE 2 B																																																																																																																																																																																																																																																																																																																																																																																																																																																																																																																																																																																																										
MCFCOPT:14	CM 3 C																																																																																																																																																																																																																																																																																																																																																																																																																																																																																																																																																																																																										
MCFCOPT:15	EB 2 D																																																																																																																																																																																																																																																																																																																																																																																																																																																																																																																																																																																																										
MCFCOPT:15	EH 2 D																																																																																																																																																																																																																																																																																																																																																																																																																																																																																																																																																																																																										
INLINE	PAGE																																																																																																																																																																																																																																																																																																																																																																																																																																																																																																																																																																																																										
MCFCOPT:16	EB 2 D																																																																																																																																																																																																																																																																																																																																																																																																																																																																																																																																																																																																										
MCFCOPT:16	EH 2 D																																																																																																																																																																																																																																																																																																																																																																																																																																																																																																																																																																																																										
MCFCOPT:17	EB 2 D																																																																																																																																																																																																																																																																																																																																																																																																																																																																																																																																																																																																										
MCFCOPT:17	EH 2 D																																																																																																																																																																																																																																																																																																																																																																																																																																																																																																																																																																																																										
MCFCOPT:18	EH 1 C																																																																																																																																																																																																																																																																																																																																																																																																																																																																																																																																																																																																										
MCFCOPT:18	EH 1 C																																																																																																																																																																																																																																																																																																																																																																																																																																																																																																																																																																																																										
MCFCOPT:19	EB 1 C																																																																																																																																																																																																																																																																																																																																																																																																																																																																																																																																																																																																										
MCFCOPT:19	EH 1 C																																																																																																																																																																																																																																																																																																																																																																																																																																																																																																																																																																																																										
MCFCOPT:20	CL 1 B																																																																																																																																																																																																																																																																																																																																																																																																																																																																																																																																																																																																										
MCFCOPT:21	EB 2 C																																																																																																																																																																																																																																																																																																																																																																																																																																																																																																																																																																																																										
MCFCOPT:21	EH 2 C																																																																																																																																																																																																																																																																																																																																																																																																																																																																																																																																																																																																										
MCFCOPT:22	EB 2 C																																																																																																																																																																																																																																																																																																																																																																																																																																																																																																																																																																																																										
MCFCOPT:22	EH 2 C																																																																																																																																																																																																																																																																																																																																																																																																																																																																																																																																																																																																										
MCFCOPT:23	EH 2 C																																																																																																																																																																																																																																																																																																																																																																																																																																																																																																																																																																																																										
MCFCOPT:24	CL 1 B																																																																																																																																																																																																																																																																																																																																																																																																																																																																																																																																																																																																										
MCFCOPT:25	CM 3 C																																																																																																																																																																																																																																																																																																																																																																																																																																																																																																																																																																																																										
MCFCOPT:26	JE 1 B																																																																																																																																																																																																																																																																																																																																																																																																																																																																																																																																																																																																										
MCFCOPT:27	BP 2 C																																																																																																																																																																																																																																																																																																																																																																																																																																																																																																																																																																																																										
MCFCOPT:28	GG 2 A																																																																																																																																																																																																																																																																																																																																																																																																																																																																																																																																																																																																										
MCFCOPT:29	EB 1 D																																																																																																																																																																																																																																																																																																																																																																																																																																																																																																																																																																																																										
MCFCOPT:29	EH 2 D																																																																																																																																																																																																																																																																																																																																																																																																																																																																																																																																																																																																										
MCIS:1	DA 2 D																																																																																																																																																																																																																																																																																																																																																																																																																																																																																																																																																																																																										
MCIS:2	DA 2 D																																																																																																																																																																																																																																																																																																																																																																																																																																																																																																																																																																																																										
MCMJ1:1	IC 4 B																																																																																																																																																																																																																																																																																																																																																																																																																																																																																																																																																																																																										
MCMJ1:2	IC 3 D																																																																																																																																																																																																																																																																																																																																																																																																																																																																																																																																																																																																										
MCMJ1:3	IC 4 A																																																																																																																																																																																																																																																																																																																																																																																																																																																																																																																																																																																																										
MCMJ1:4	IC 4 B																																																																																																																																																																																																																																																																																																																																																																																																																																																																																																																																																																																																										
MCMJ1:5	IC 4 B																																																																																																																																																																																																																																																																																																																																																																																																																																																																																																																																																																																																										
MCMJ2:1	IC 0 B																																																																																																																																																																																																																																																																																																																																																																																																																																																																																																																																																																																																										
MCMJ2:2	IC 1 D																																																																																																																																																																																																																																																																																																																																																																																																																																																																																																																																																																																																										
MCMJ2:3	IC 0 B																																																																																																																																																																																																																																																																																																																																																																																																																																																																																																																																																																																																										
MCMJ2:4	IC 0 B																																																																																																																																																																																																																																																																																																																																																																																																																																																																																																																																																																																																										
MCMJ2:5	IC 0 B																																																																																																																																																																																																																																																																																																																																																																																																																																																																																																																																																																																																										
MCML1:A	IE 2 B																																																																																																																																																																																																																																																																																																																																																																																																																																																																																																																																																																																																										
MCML1:A	IE 2 B																																																																																																																																																																																																																																																																																																																																																																																																																																																																																																																																																																																																										
MCML1:B	IE 2 D																																																																																																																																																																																																																																																																																																																																																																																																																																																																																																																																																																																																										
MCML1:B	IE 2 D																																																																																																																																																																																																																																																																																																																																																																																																																																																																																																																																																																																																										
MCML2:A	IE 2 B																																																																																																																																																																																																																																																																																																																																																																																																																																																																																																																																																																																																										
MCML2:A	IE 2 B																																																																																																																																																																																																																																																																																																																																																																																																																																																																																																																																																																																																										
MCML2:B	IE 2 D																																																																																																																																																																																																																																																																																																																																																																																																																																																																																																																																																																																																										
MCML2:B	IE 2 D																																																																																																																																																																																																																																																																																																																																																																																																																																																																																																																																																																																																										
MCOF1:A	IA 0 B																																																																																																																																																																																																																																																																																																																																																																																																																																																																																																																																																																																																										
MCOF1:B	IA 0 B																																																																																																																																																																																																																																																																																																																																																																																																																																																																																																																																																																																																										
MCOF1:C	GC 2 C																																																																																																																																																																																																																																																																																																																																																																																																																																																																																																																																																																																																										
MCOF1:D	AE 3 A																																																																																																																																																																																																																																																																																																																																																																																																																																																																																																																																																																																																										
MCOF1:E	AE 3 B																																																																																																																																																																																																																																																																																																																																																																																																																																																																																																																																																																																																										
MCOF1:F	KD 2 B																																																																																																																																																																																																																																																																																																																																																																																																																																																																																																																																																																																																										
MCOF1:G	KD 2 B																																																																																																																																																																																																																																																																																																																																																																																																																																																																																																																																																																																																										
MCOF1:H	AE 3 B																																																																																																																																																																																																																																																																																																																																																																																																																																																																																																																																																																																																										
MCOF2:A	GB 3 D																																																																																																																																																																																																																																																																																																																																																																																																																																																																																																																																																																																																										
INLINE	PAGE																																																																																																																																																																																																																																																																																																																																																																																																																																																																																																																																																																																																										
MCOF2:B	GB 3 D																																																																																																																																																																																																																																																																																																																																																																																																																																																																																																																																																																																																										
MCOF2:C	GB 3 D																																																																																																																																																																																																																																																																																																																																																																																																																																																																																																																																																																																																										
MCQS1:1	BE 2 D																																																																																																																																																																																																																																																																																																																																																																																																																																																																																																																																																																																																										
MCQS1:1	BE 3 C																																																																																																																																																																																																																																																																																																																																																																																																																																																																																																																																																																																																										
MCQS1:2	BE 2 C																																																																																																																																																																																																																																																																																																																																																																																																																																																																																																																																																																																																										
MCQS1:2	BE 3 C																																																																																																																																																																																																																																																																																																																																																																																																																																																																																																																																																																																																										
MCQS2:A	BE 4 D																																																																																																																																																																																																																																																																																																																																																																																																																																																																																																																																																																																																										
MCQS2:B	BE 4 C																																																																																																																																																																																																																																																																																																																																																																																																																																																																																																																																																																																																										
MCQS2:C	BE 4 C																																																																																																																																																																																																																																																																																																																																																																																																																																																																																																																																																																																																										
MCQS2:D	BE 4 C																																																																																																																																																																																																																																																																																																																																																																																																																																																																																																																																																																																																										
MCRM:A	CM 1 B																																																																																																																																																																																																																																																																																																																																																																																																																																																																																																																																																																																																										
MCRM:B	CM 0 D																																																																																																																																																																																																																																																																																																																																																																																																																																																																																																																																																																																																										
MCRM:C	CM 2 C																																																																																																																																																																																																																																																																																																																																																																																																																																																																																																																																																																																																										
MCRM:D	CM 2 C																																																																																																																																																																																																																																																																																																																																																																																																																																																																																																																																																																																																										
MCRM:E	CM 2 C																																																																																																																																																																																																																																																																																																																																																																																																																																																																																																																																																																																																										
MCRM:F	CM 2 C																																																																																																																																																																																																																																																																																																																																																																																																																																																																																																																																																																																																										
MCRM:G	CM 2 C																																																																																																																																																																																																																																																																																																																																																																																																																																																																																																																																																																																																										
MCRM:H	CM 2 C																																																																																																																																																																																																																																																																																																																																																																																																																																																																																																																																																																																																										
MCRM:I	CM 2 C																																																																																																																																																																																																																																																																																																																																																																																																																																																																																																																																																																																																										
MCRM:J	CM 2 C																																																																																																																																																																																																																																																																																																																																																																																																																																																																																																																																																																																																										
MCRM:K	CM 2 C																																																																																																																																																																																																																																																																																																																																																																																																																																																																																																																																																																																																										
MCRM:L	CM 2 C																																																																																																																																																																																																																																																																																																																																																																																																																																																																																																																																																																																																										
MCRM:M	CM 2 C																																																																																																																																																																																																																																																																																																																																																																																																																																																																																																																																																																																																										
MCRM:N	CM 2 C																																																																																																																																																																																																																																																																																																																																																																																																																																																																																																																																																																																																										
MCRM:O	CM 2 C																																																																																																																																																																																																																																																																																																																																																																																																																																																																																																																																																																																																										
MCRM:P	CM 2 C																																																																																																																																																																																																																																																																																																																																																																																																																																																																																																																																																																																																										
MCRM:Q	CM 2 C																																																																																																																																																																																																																																																																																																																																																																																																																																																																																																																																																																																																										
MCRM:R	CM 2 C																																																																																																																																																																																																																																																																																																																																																																																																																																																																																																																																																																																																										
MCRM:S	CM 2 C																																																																																																																																																																																																																																																																																																																																																																																																																																																																																																																																																																																																										
MCRM:T	CM 2 C																																																																																																																																																																																																																																																																																																																																																																																																																																																																																																																																																																																																										
MCRM:U	CM 2 C																																																																																																																																																																																																																																																																																																																																																																																																																																																																																																																																																																																																										
MCRM:V	CM 2 C																																																																																																																																																																																																																																																																																																																																																																																																																																																																																																																																																																																																										
MCRM:W	CM 2 C																																																																																																																																																																																																																																																																																																																																																																																																																																																																																																																																																																																																										
MCRM:X	CM 2 C																																																																																																																																																																																																																																																																																																																																																																																																																																																																																																																																																																																																										
MCRM:Y	CM 2 C																																																																																																																																																																																																																																																																																																																																																																																																																																																																																																																																																																																																										
MCRM:Z	CM 2 C																																																																																																																																																																																																																																																																																																																																																																																																																																																																																																																																																																																																										
INLINE	PAGE																																																																																																																																																																																																																																																																																																																																																																																																																																																																																																																																																																																																										
MCSEM1:8	KM 2 B																																																																																																																																																																																																																																																																																																																																																																																																																																																																																																																																																																																																										
MCSEM1:8	KN 1 B																																																																																																																																																																																																																																																																																																																																																																																																																																																																																																																																																																																																										
MCSEM1:8	KN 1 B																																																																																																																																																																																																																																																																																																																																																																																																																																																																																																																																																																																																										
MCSEM1:8	KN 1 B																																																																																																																																																																																																																																																																																																																																																																																																																																																																																																																																																																																																										
MCSEM1:9	KL 1 C																																																																																																																																																																																																																																																																																																																																																																																																																																																																																																																																																																																																										
MCSEM1:9	KM 2 C																																																																																																																																																																																																																																																																																																																																																																																																																																																																																																																																																																																																										
MCSEM1:9	KN 1 C																																																																																																																																																																																																																																																																																																																																																																																																																																																																																																																																																																																																										
MCSEM1:10	KL 1 C																																																																																																																																																																																																																																																																																																																																																																																																																																																																																																																																																																																																										
MCSEM1:10	KM 2 C																																																																																																																																																																																																																																																																																																																																																																																																																																																																																																																																																																																																										
MCSEM1:10	KN 1 C																																																																																																																																																																																																																																																																																																																																																																																																																																																																																																																																																																																																										
MCSEM1:13	KL 2 C																																																																																																																																																																																																																																																																																																																																																																																																																																																																																																																																																																																																										
MCSEM1:13	KM 3 C																																																																																																																																																																																																																																																																																																																																																																																																																																																																																																																																																																																																										
MCSEM1:13	KN 2 C																																																																																																																																																																																																																																																																																																																																																																																																																																																																																																																																																																																																										
MCSEM1:14	KL 2 C																																																																																																																																																																																																																																																																																																																																																																																																																																																																																																																																																																																																										
MCSEM1:14	KM 3 C																																																																																																																																																																																																																																																																																																																																																																																																																																																																																																																																																																																																										
MCSEM1:14	KN 2 C																																																																																																																																																																																																																																																																																																																																																																																																																																																																																																																																																																																																										
MCSEM1:15	KL 1 B																																																																																																																																																																																																																																																																																																																																																																																																																																																																																																																																																																																																										
MCSEM1:15	KL 2 B																																																																																																																																																																																																																																																																																																																																																																																																																																																																																																																																																																																																										
MCSEM1:15	KN 1 B																																																																																																																																																																																																																																																																																																																																																																																																																																																																																																																																																																																																										
MCSEM1:16	KL 3 C																																																																																																																																																																																																																																																																																																																																																																																																																																																																																																																																																																																																										
MCSEM1:16	KM 4 C																																																																																																																																																																																																																																																																																																																																																																																																																																																																																																																																																																																																										
MCSEM1:16	KN 3 C																																																																																																																																																																																																																																																																																																																																																																																																																																																																																																																																																																																																										
MCSEM2:4	KL 2 B																																																																																																																																																																																																																																																																																																																																																																																																																																																																																																																																																																																																										
MCSEM2:15	KN 3 B																																																																																																																																																																																																																																																																																																																																																																																																																																																																																																																																																																																																										
MCSEM2:16	KN 3 B																																																																																																																																																																																																																																																																																																																																																																																																																																																																																																																																																																																																										
MCSL1:A	KF 0 D																																																																																																																																																																																																																																																																																																																																																																																																																																																																																																																																																																																																										
MCSL1:A	KF 1 D																																																																																																																																																																																																																																																																																																																																																																																																																																																																																																																																																																																																										
MCSL1:A	KF 0 A																																																																																																																																																																																																																																																																																																																																																																																																																																																																																																																																																																																																										
MCSL1:A	KG 4 D																																																																																																																																																																																																																																																																																																																																																																																																																																																																																																																																																																																																										
MCSL1:A	KG 2 C																																																																																																																																																																																																																																																																																																																																																																																																																																																																																																																																																																																																										
MCSL1:A	KM 0 D																																																																																																																																																																																																																																																																																																																																																																																																																																																																																																																																																																																																										
MCSL1:A	KM 0 A																																																																																																																																																																																																																																																																																																																																																																																																																																																																																																																																																																																																										
MCSL1:A	KM 1 D																																																																																																																																																																																																																																																																																																																																																																																																																																																																																																																																																																																																										
MCSL1:A	KN 4 C																																																																																																																																																																																																																																																																																																																																																																																																																																																																																																																																																																																																										
MCSL1:A	KN 2 C																																																																																																																																																																																																																																																																																																																																																																																																																																																																																																																																																																																																										
MCSL1:B	KF 0 A																																																																																																																																																																																																																																																																																																																																																																																																																																																																																																																																																																																																										
MCSL1:B	KF 0 D																																																																																																																																																																																																																																																																																																																																																																																																																																																																																																																																																																																																										
MCSL1:B	KF 1 D																																																																																																																																																																																																																																																																																																																																																																																																																																																																																																																																																																																																										
MCSL1:B	KG 4 D																																																																																																																																																																																																																																																																																																																																																																																																																																																																																																																																																																																																										
MCSL1:B	KG 2 C																																																																																																																																																																																																																																																																																																																																																																																																																																																																																																																																																																																																										
MCSL1:B	KG 2 C																																																																																																																																																																																																																																																																																																																																																																																																																																																																																																																																																																																																										
MCSL1:B	KM 0 D																																																																																																																																																																																																																																																																																																																																																																																																																																																																																																																																																																																																										
MCSL1:B	KM 0 A																																																																																																																																																																																																																																																																																																																																																																																																																																																																																																																																																																																																										
MCSL1:B	KM 1 D																																																																																																																																																																																																																																																																																																																																																																																																																																																																																																																																																																																																										
MCSL1:B	KN 4 C																																																																																																																																																																																																																																																																																																																																																																																																																																																																																																																																																																																																										
MCSL1:B	KN 2 C																																																																																																																																																																																																																																																																																																																																																																																																																																																																																																																																																																																																										
MCSL1:C	KF 0 A																																																																																																																																																																																																																																																																																																																																																																																																																																																																																																																																																																																																										
MCSL1:C	KF 0 D																																																																																																																																																																																																																																																																																																																																																																																																																																																																																																																																																																																																										
MCSL1:C	KG 3 C																																																																																																																																																																																																																																																																																																																																																																																																																																																																																																																																																																																																										
MCSL1:C	KG 4 D																																																																																																																																																																																																																																																																																																																																																																																																																																																																																																																																																																																																										
B							B																																																																																																																																																																																																																																																																																																																																																																																																																																																																																																																																																																																																				
C							C																																																																																																																																																																																																																																																																																																																																																																																																																																																																																																																																																																																																				
D							D																																																																																																																																																																																																																																																																																																																																																																																																																																																																																																																																																																																																				
E							E																																																																																																																																																																																																																																																																																																																																																																																																																																																																																																																																																																																																				

INLINES

Document title	Document No	Issue	Volume	Page
12V VOLVO CONVENTIONAL	22622040	05	2 (2)	22 (43)
Document type				
PRODUCT SCHEMATIC				



0

1

2

3

4

## INLINES

INLINE	PAGE
MCSL1:C	KM 0 D
MCSL1:C	KM 1 A
MCSL1:C	KM 1 D
MCSL1:C	KN 4 C
MCSL1:C	KN 3 C
MCSL1:D	KF 1 D
MCSL1:D	KF 0 A
MCSL1:D	KF 0 D
MCSL1:D	KG 4 D
MCSL1:D	KG 3 C
MCSL1:D	KM 0 D
MCSL1:D	KM 1 A
MCSL1:D	KM 1 D
MCSL1:D	KN 4 C
MCSL1:D	KN 3 C
MCSL1:E	GG 1 A
MCSL1:E	GH 0 A
MCSL1:E	GH 0 A
MCSL1:E	GH 1 A
MCSL1:E	GH 1 A
MCSL1:E	GH 2 A
MCSL1:E	GH 3 A
MCSL1:E	GH 2 A
MCSL1:E	GH 3 A
MCSL1:E	GH 3 A
MCSL1:F	GG 1 E
MCSL1:F	GH 0 E
MCSL1:F	GH 0 E
MCSL1:F	GH 1 D
MCSL1:F	GH 1 D
MCSL1:F	GH 1 D
MCSL1:F	GH 2 D
MCSL1:F	GH 2 D
MCSL1:F	GH 3 D
MCSL1:F	GH 3 D
MCSL1:F	GH 3 D
MCSL1:F	GH 3 D
MCSL2:A	HB 0 C
MCSL2:A	HK 1 C
MCSL2:B	HB 0 C
MCSL2:B	HK 1 C
MCSL2:C	HB 2 C
MCSL2:C	HK 3 C
MCSL2:D	HB 2 C
MCSL2:D	HK 3 C
MCSL2:E	IG 4 B
MCSL2:F	HB 3 B
MCSL2:F	HK 4 B
MCSL2:G	HD 0 B
MCSL2:G	HF 0 B
MCSL2:G	HG 1 D

INLINE	PAGE
MCSL2:H	HD 0 B
MCSL2:H	HF 0 B
MCSL2:H	HG 1 D
MCSL2:J	HB 1 B
MCSL2:J	HK 2 B
MCSL2:K	AH 3 B
MCSL3:A	HB 1 D
MCSL3:A	HK 3 E
MCSL3:B	HD 0 D
MCSL3:B	HF 0 D
MCSL3:B	HG 2 D
MCSL3:C	HD 1 E
MCSL3:C	HF 1 E
MCSL3:C	HG 3 D
MCSL3:D	IG 2 B
MCSL3:E	IG 3 B
MCSL3:F	HB 2 B
MCSL3:F	HK 3 B
MCSL3:G	HB 3 B
MCSL3:G	HK 4 B
MCSL3:H	HB 3 B
MCSL3:H	HK 4 B
MCSL4:1	HE 4 C
MCSL4:2	HE 4 C
MCSL4:4	IF 3 B
MCSL4:5	IF 3 D
MCSL4:6	IF 3 D
MCSL5:A	BA 1 A
MCSL5:A	HF 4 A
MCSL5:A	HK 5 A
MCSL5:B	BA 1 A
MCSL5:B	HF 4 B
MCSL5:B	HK 5 A
MCSL5:C	HB 3 C
MCSL5:C	HK 4 C
MCSL5:D	HB 2 B
MCSL5:D	HK 3 B
MCSL5:E	HB 3 C
MCSL5:E	HK 4 C
MCSR1:A	GA 2 D
MCSR1:A	IE 2 C
MCSR1:A	IE 2 C
MCSR1:A	IE 2 B
MCSR1:B	GA 2 E
MCSR1:B	IE 2 D
MCSR1:B	IE 2 D
MCSR1:B	IE 2 D
MCSR2:A	GA 2 D
MCSR2:A	GA 0 B
MCSR2:A	IE 2 B

INLINE	PAGE
MCSR2:B	GA 2 E
MCSR2:B	GA 0 D
MCSR2:B	IE 2 D
MCST1:A	DB 0 C
MCST1:B	DB 0 B
MCST1:C	DB 0 B
MCST1:D	DB 0 B
MCST1:E	DB 0 B
MCST2:A	DA 1 D
MCST2:B	DA 1 D
MCST2:C	DA 1 D
MCST2:D	DA 1 D
MCST2:E	DA 0 D
MCST2:F	DA 0 D
MCST2:G	DA 0 D
MCST2:H	DA 0 D
MCST2:J	DA 0 D
MCST2:K	DA 0 D
MCST3:A	DF 1 D
MCST3:B	DF 1 D
MCST3:C	DF 0 D
MCST3:D	DF 0 D
MCST3:E	DF 1 D
MCST3:F	DF 1 D
MCST3:G	DF 1 D
MCST3:H	DF 2 D
MCST3:J	DF 2 D
MCTR1:A	DB 3 B
MCTR1:B	BA 3 D
MCTR1:C	BA 3 D
MCTR1:D	DB 2 D
MCTR1:E	DB 2 E
MCTR1:F	GK 0 B
MCTR1:G	GK 0 B
MCTR2:1	DB 2 C
MCTR2:2	DB 2 C
MCTR2:3	DB 1 C
MCTR2:4	DB 1 C
MCTR2:10	DB 2 C
MCTR2:11	DB 2 C
MCTR2:12	DB 2 C
MCTR2:13	DB 2 C
MCTR2:14	DB 2 C
MCTR3:1	DP 0 C
MCTR3:2	DA 1 C
MCTR3:3	AI 1 C
MCTR3:4	AI 0 C
MCTR3:5	DP 0 B
MCTR3:6	DP 0 C
MCTR3:7	DA 2 A

INLINE	PAGE
MCTR3:7	DA 3 C
MCTR3:9	XA 0 D
MCTR3:10	XA 0 D
MCTR3:11	XA 1 D
MCTR3:12	XA 1 D
MCTR3:13	DA 2 B
MCTR3:13	DA 3 C
MCTR3:14	DA 2 B
MCTR3:14	DA 3 C
MCTR4:1	DF 0 B
MCTR4:2	DE 1 C
MCTR4:3	DE 2 C
MCTR4:4	DE 2 C
MCTR4:5	DE 2 C
MCTR4:6	DE 2 C
MCTR4:7	DF 0 B
MCTR4:8	DE 2 C
MCTR4:9	DE 2 C
MCTR4:10	DE 2 C
MCTR4:11	DE 2 C
MCTR4:12	DE 3 C
MCTR4:13	DE 3 C
MCTR4:14	DE 0 C
MCTR5:1	DE 0 C
MCTR5:2	DE 0 C
MCTR5:3	DE 1 B
MCTR5:4	DE 1 C
MCTR5:5	DE 1 C
MCTR5:6	DE 0 C
MCTR5:7	DE 0 C
MCTR5:8	DE 1 C
MCTR5:9	DE 1 C
MCTR5:10	DE 1 C
MCTR5:11	DE 0 C
MCTR5:12	DE 0 C
MCTR5:13	DE 1 C
MCTR5:14	DE 1 C
MCTR6:A	AI 0 B
MCTR6:B	AI 0 B
OBRW2:A	HD 4 C
OBRW2:C	HD 4 E
OBRW:A	HD 3 C
OBRW:A	HE 2 B
OBRW:B	HE 3 B
OBRW:C	HE 3 E
OBRW:C	HE 2 D
OBTBJ:A	HF 3 C
OBTBJ:C	HF 3 D
OCPEN2:A	AF 4 D
OCPEN2:B	AF 4 D

INLINE	PAGE
OCPEN2:C	AF 4 D
OCPEN2:D	AF 4 D
OCPPC:A	AF 3 D
OCPPC:B	AF 3 D
OCPPC:C	AF 3 D
OCPPC:D	AF 3 D
OFRFJ:A	GC 0 C
OFRFJ:B	GC 0 C
OFSL:A	KG 2 D
OFSL:A	KN 2 D
OFSL:B	KG 2 D
OFSL:B	KN 2 D
OFSL:C	KG 2 D
OFSL:C	KN 2 D
OFSL:D	KG 2 D
OFSL:D	KN 2 D
OFSL:E	KG 3 D
OFSL:E	KN 3 D
OFSL:F	KG 3 D
OFSL:F	KN 3 D
OFSL:G	KG 3 D
OFSL:G	KN 3 D
OFSL:H	KG 3 D
OFSL:H	KN 4 D
OFSV2:1	GC 3 C
OFSV2:2	GC 3 D
OFSV3:1	GC 3 C
OFSV3:2	GC 3 D
OFSV:1	GC 3 C
OFSV:1	GC 3 C
OFSV:1	GC 2 C
OFSV:2	GC 3 D
OFSV:2	GC 3 D
OFSV:2	GC 2 D
OLHW:A	IB 2 D
OLHW:B	IB 2 D
OPT9:1	CF 4 A
OPT9:2	CF 4 A
OPT1587:A	XA 2 B
OPT1587:B	XA 3 B
PLSPO:A	GJ 1 D
PLSPO:A	GJ 1 E
PLSPO:B	GJ 1 C
PLSPO:B	GJ 1 C
PSOF2:A	KG 1 D
PSOF2:A	KN 1 D
PSOF2:B	KG 1 D
PSOF2:B	KN 1 D
PSOF2:C	KG 1 D
PSOF2:C	KN 1 D

INLINE	PAGE
PSOF2:D	KG 2 D
PSOF2:D	KN 2 D
PSOF2:E	KG 0 D
PSOF2:E	KN 0 D
PSOF2:F	KG 0 D
PSOF2:F	KN 0 D
PSOF2:G	KG 1 D
PSOF2:G	KN 0 D
PSOF2:H	KG 1 D
PSOF2:H	KN 0 D
PSOF:A	KG 2 C
PSOF:A	KN 2 C
PSOF:B	KG 2 C
PSOF:B	KN 2 C
PSOF:C	KG 2 C
PSOF:C	KN 2 C
PSOF:D	KG 3 C
PSOF:D	KN 3 C
PSOF:E	KG 1 C
PSOF:E	KN 1 C
PSOF:F	KG 1 C
PSOF:F	KN 1 C
PSOF:G	KG 1 C
PSOF:G	KN 1 C
PSOF:H	KG 1 C
PSOF:H	KN 1 C
PSOF:J	KG 0 C
PSOF:J	KN 0 C
PSOF:K	KG 3 C
PSOF:K	KN 3 D
RADLR:A	BB 2 B
RADLR:A	BB 2 B
RADLR:A	BB 2 B
RADLR:B	BB 2 B
RADLR:B	BB 2 B
RFJRF:A	GC 0 C
RFJRF:B	GC 0 D
ROMJ:A	CM 1 B
ROMJ:B	CM 0 E
ROMJ:C	CM 1 C
ROMJ:D	CM 1 C
ROMJ:E	CM 1 C
RSCB:A	IG 1 C
RSCB:B	IG 1 D
RWBOC:A	GH 0 B
RWBOC:B	GH 0 C
RWJRW:A	KF 1 D
RWJRW:A	KM 1 D
RWJRW:B	KF 1 D

Document title  
12V VOLVO CONVENTIONAL

Document type  
PRODUCT SCHEMATIC

Document No  
22622040

Issue  
05

Volume  
2 (2)

Page  
23 (43)

0

1

2

3

4

0

1

2

3

4

## INLINES

INLINE	PAGE
RWJRW:B	KM 1 D
RWJRW:C	KF 1 D
RWJRW:C	KM 1 D
RWJRW:D	KF 1 D
RWJRW:D	KM 1 D
SEMAAS:1	KL 4 B
SEMAAS:2	KL 4 B
SEMAAS:5	KL 4 B
SEMAUX:1	KL 4 C
SEMAUX:2	KL 4 C
SEMAUX:5	KL 4 C
SLBOC:A	GH 2 B
SLBOC:A	GH 3 B
SLBOC:B	GG 3 D
SLBOC:B	GH 2 C
SLBOC:B	GH 3 D
SLBOCL:A	GG 3 C
SLBOCL:A	GG 4 C
SLBOCL:A	GH 3 C
SLBOCL:A	GH 3 C
SLBOCL:A	GG 3 C
SLBOCL:B	GG 3 C
SLBOCL:B	GG 4 C
SLBOCL:B	GH 3 B
SLBOCL:B	GH 3 B
SLC02:1	HJ 2 C
SLC02:1	HL 2 C
SLCC:1	HL 2 B
SLCC:3	HL 2 B
SLCC:4	HL 2 B
SLCC:5	HL 1 B
SLCC:6	HL 2 B
SLCC:7	HL 1 B
SLCD:1	HJ 0 D
SLCD:1	HL 1 D
SLCD:2	HJ 0 D
SLCD:2	HL 1 D
SLCD:3	HJ 0 D
SLCD:3	HL 1 D

INLINE	PAGE
SLCO1:A	HJ 2 B
SLCO1:A	HL 2 C
SLCO1:B	HJ 2 C
SLCO1:B	HL 3 C
SLCO1:C	HJ 2 C
SLCO1:C	HL 3 C
SLCO:1	HJ 2 D
SLCO:1	HL 2 D
SLECM:A:A	HD 2 B
SLECM:A:B	HB 4 C
SLECM:A:C	HB 3 C
SLECM:A:C	HJ 0 B
SLECM:A:D	HB 3 C
SLECM:A:E	HB 3 C
SLECM:A:F	HB 3 C
SLECM:A:G	HB 1 C
SLECM:A:H	HB 1 C
SLECM:A:J	HB 4 C
SLECM:A:J	HJ 1 B
SLECM:A:K	HB 4 C
SLECM:A:K	HJ 1 B
SLECM:A:L	HB 3 B
SLECM:A:M	HB 2 C
SLECM:A:N	HJ 1 B
SLECM:A:P	HJ 1 B
SLECM:A:R	HB 3 C
SLECM:A:S	HB 1 C
SLECM:B:A	HB 2 B
SLECM:B:B	IG 4 C
SLECM:B:C	HD 0 B
SLECM:B:D	HE 0 B
SLECM:B:E	HE 4 C
SLECM:B:F	HD 0 B
SLECM:B:G	HE 4 C
SLECM:B:H	HE 1 C
SLECM:B:J	HE 2 B
SLECM:B:K	HB 3 B

INLINE	PAGE
SLECM:B:L	HE 4 D
SLECM:B:M	HB 2 C
SLECM:B:N	HB 4 B
SLECM:B:P	HB 4 B
SLECM:B:R	IG 4 C
SLECM:C:A	HB 3 B
SLECM:C:B	HD 2 B
SLECM:C:C	HB 3 C
SLECM:C:D	HE 2 B
SLECM:C:E	HE 4 D
SLECM:C:F	HB 2 C
SLECM:C:H	HB 2 B
SLECM:C:J	HE 3 B
SLECM:C:L	HD 1 B
SLECM:C:M	IG 4 D
SLECM:C:N	IF 3 C
SLECM:C:P	IF 3 C
SLECM:C:R	HB 2 C
SLECM:C:S	HB 2 C
SLOB:A	HD 4 B
SLOB:A	HF 4 C
SLOB:B	HF 3 B
SLOB:C	HD 1 B
SLOB:C	HF 1 B
SLOB:D	HD 2 B
SLOB:D	HF 2 C
SLOB:E	HF 1 C
SLOB:E	IG 3 C
SLOB:F	HD 1 D
SLOB:F	HF 1 D
SLOB:G	HE 2 B
SLOB:G	KM 1 B
SLOB:H	HE 3 B
SLOB:H	KM 1 B
SLOB:J	KM 0 B
SLOB:K	KM 0 B
SLOB:L	IG 3 C
SLRH:A	KG 4 D

INLINE	PAGE
SLRH:A	KN 4 C
SLRH:B	KG 4 D
SLRH:B	KN 4 C
SLRH:C	KG 4 D
SLRH:C	KN 4 C
SLRH:D	KG 4 D
SLRH:D	KN 4 C
SLRS:A	KF 0 B
SLRS:B	KF 0 B
SLRS:C	KF 0 B
SLRS:D	KF 0 B
SLRW:A	HG 5 B
SLRW:B	GH 0 B
SLRW:C	GH 0 E
SLVA:A	HE 2 C
SLVA:A	HG 4 B
SLVA:B	HE 3 C
SLVA:B	HG 4 B
SLVA:C	HE 2 D
SLVA:C	HG 3 D
SPJTL1:A	FC 3 D
SPJTL1:A	FE 2 D
SPJTL1:B	FD 1 C
SPJTL1:C	FC 3 C
SPJTL1:C	FE 1 D
SPJTL1:E	FD 3 C
SPJTL1:G	FF 2 C
SPJTL1:H	FC 3 C
SPJTL1:H	FE 2 D
SPJTL1:K	GQ 2 C
SPJTL1:L	FD 1 D
SPJTL1:M	FF 2 D
SPJTL1:N	GQ 2 C
SPJTL1:R	FC 2 D
SPJTL1:R	FE 1 D
SPJTL1:S	FD 3 D
SPJTL:A	FC 2 D
SPJTL:B	FD 2 C

INLINE	PAGE
SPJTL:C	FC 1 C
SPJTL:E	FD 3 C
SPJTL:F	CH 3 C
SPJTL:G	FB 1 D
SPJTL:H	FC 2 C
SPJTL:J	FB 0 D
SPJTL:K	GQ 3 C
SPJTL:L	FD 2 D
SPJTL:M	FB 2 D
SPJTL:N	GQ 3 C
SPJTL:P	FB 2 D
SPJTL:R	CH 3 D
SPJTL:R	FB 1 D
SPJTL:R	FC 1 D
SPJTL:S	FD 3 D
TABS6 CH:A	EE 1 C
TABS6 CH:B	EE 1 C
TABS6 CH:C	EE 1 C
TABS6 CH:D	EE 2 C
TCEXT.A1:1	MB 1 B
TCEXT.A1:1	MC 1 A
TCEXT.A1:1	MC 4 C
TCEXT.A1:2	MB 1 B
TCEXT.A1:2	MB 1 C
TCEXT.A1:2	MC 1 A
TCEXT.A1:2	MC 4 C
TCEXT.A1:3	MB 1 B
TCEXT.A1:3	MB 1 C
TCEXT.A1:3	MC 0 A
TCEXT.A1:3	MC 4 C
TCEXT.A2:A	MB 1 B
TCEXT.A2:A	MB 1 C
TCEXT.A2:A	MC 1 A
TCEXT.A2:A	MC 4 C
TCEXT.A2:B	MB 1 B
TCEXT.A2:B	MB 1 C
TCEXT.A2:B	MC 1 A

INLINE	PAGE
TCEXT.A2:B	MC 4 C
TCEXT.A2:C	MB 1 B
TCEXT.A2:C	MB 1 C
TCEXT.A2:C	MC 1 A
TCEXT.A2:C	MC 4 C
TCEXT.A3:A	MB 0 B
TCEXT.A3:A	MB 0 C
TCEXT.A3:A	MC 0 A
TCEXT.A3:A	MC 4 D
TCEXT2.A1:1	MC 2 B
TCEXT2.A1:2	MC 2 C
TCEXT2.A1:3	MC 2 B
TCEXT2.A2:A	MC 2 C
TCEXT2.A2:B	MC 2 C
TCEXT2.A2:C	MC 2 C
TCEXT2.A3:A	MC 2 B
TCEXT3.A1:1	MC 2 E
TCEXT3.A1:2	MC 2 D
TCEXT3.A1:3	MC 2 E
TCEXT3.A2:A	MC 2 D
TCEXT3.A2:B	MC 2 D
TCEXT3.A2:C	MC 2 D
TCEXT3.A3:A	MC 2 E
TETL:A	GK 3 D
TETL:B	GF 0 B
TETL:C	GF 0 B
TETL:D	GF 0 B
TETL:E	GF 1 B
THSW:A	AF 3 E
THSW:B	AF 3 E
TREA:1	CF 4 A
TREA:2	CF 4 A
X03H:A	CB 1 D
X04B:A	MA 3 D
X41 LVD:A	AQ 2 C

0

1

2

3

4

SPLICES

SPLICE	PAGE
SP35A1 (S)	DB 3 C
SPAD1A1 (T)	ED 3 D
SPAD4A1 (T)	ED 2 B
SPAD7A1 (S)	ED 1 C
SPAD8A1 (S)	ED 1 C
SPAD10A1 (S)	ED 1 C
SPAD11A1 (S)	ED 1 C
SPAUXBL (S)	MC 1 C
SPB02 (S)	AM 3 D
SPB02B3 (S)	AM 1 B
SPB3A5 (S)	GD 0 B
SPC03C1 (T)	IC 1 B
SPC13A1 (T)	IF 1 B
SPC14A1 (T)	IC 4 A
SPC15JA3 (S)	AF 0 B
SPCA4A1 (T)	DP 2 C
SPCA11A1 (T)	IF 1 B
SPCB5A1 (T)	AH 2 C
SPCB11A1 (T)	AH 3 C
SPCB11B5 ( )	FF 2 E
SPCB19A1 (T)	AI 3 B
SPCBV04A (S)	CM 0 D
SPCBV04B (S)	CM 0 C
SPCBV06A (S)	IA 4 B
SPCBV06B (S)	IA 4 B
SPCBV07A (S)	IA 4 B
SPCBV07B (S)	IA 4 B
SPCLRSB (S)	MC 1 B
SPCM04A1 (T)	DB 3 A
SPD4A3 (S)	GD 4 C
SPD8A1 (T)	IA 0 C
SPD8A7 (T)	IA 0 D
SPD8A16 (S)	IA 4 B
SPDL1H (S)	XF 3 D
SPDL1H (S)	XI 0 B
SPDL1H1 (S)	XD 3 B
SPDL1H1 (S)	XE 3 B
SPDL1H1 (S)	XF 3 D
SPDL1H1 (S)	XG 3 B
SPDL1H1 (S)	XH 2 C
SPDL1H5 (S)	XD 0 D
SPDL1H5 (S)	XF 2 D
SPDL1H5 (S)	XG 3 C
SPDL1H5 (S)	XH 3 C
SPDL1H5 (S)	XI 3 B
SPDL1H6 (S)	XH 4 C
SPDL1H7 (S)	XE 3 B
SPDL1H8 (S)	XG 3 B
SPDL1H9 (S)	XD 1 D
SPDL1H9 (S)	XF 1 D

SPLICE	PAGE
SPDL1H9 (S)	XG 1 C
SPDL1H9 (S)	XH 1 C
SPDL1H9 (S)	XI 4 B
SPDL1H10 (S)	XI 1 B
SPDL1HB1 (S)	XC 0 C
SPDL1HB2 (S)	XC 0 C
SPDL1HB3 (S)	XC 1 C
SPDL1HB4 (S)	JG 2 D
SPDL1HB5 (S)	JG 2 D
SPDL1HB6 (S)	XC 1 C
SPDL1HB7 (S)	XC 1 C
SPDL1HB8 (S)	XC 1 C
SPDL1HB9 (S)	XC 2 C
SPDL1HB10 (S)	XC 3 C
SPDL1HB11 (S)	XC 3 B
SPDL1HB12 (S)	XC 3 C
SPDL1HB13 (S)	XC 3 C
SPDL1HB14 (S)	XC 3 C
SPDL1HB15 (S)	XC 4 C
SPDL1HB16 (S)	XC 4 C
SPDL1HB17 (S)	XC 2 C
SPDL1HB18 (S)	XC 2 C
SPDL1L (S)	XF 3 C
SPDL1L (S)	XI 0 A
SPDL1L1 (S)	XD 3 B
SPDL1L1 (S)	XE 3 B
SPDL1L1 (S)	XF 3 C
SPDL1L1 (S)	XG 3 A
SPDL1L1 (S)	XH 2 C
SPDL1L5 (S)	XD 0 C
SPDL1L5 (S)	XF 2 C
SPDL1L5 (S)	XG 0 C
SPDL1L5 (S)	XH 3 C
SPDL1L5 (S)	XI 2 B
SPDL1L6 (S)	XH 3 C
SPDL1L7 (S)	XE 3 B
SPDL1L8 (S)	XG 3 A
SPDL1L9 (S)	XD 1 C
SPDL1L9 (S)	XF 1 C
SPDL1L9 (S)	XG 1 C
SPDL1L9 (S)	XH 0 C
SPDL1L9 (S)	XI 4 B
SPDL1L10 (S)	XI 1 A
SPDL1LB1 (S)	XC 0 C
SPDL1LB2 (S)	XC 0 C
SPDL1LB3 (S)	XC 1 C
SPDL1LB4 (S)	JG 2 D
SPDL1LB5 (S)	JG 3 D
SPDL1LB6 (S)	XC 1 C
SPDL1LB7 (S)	XC 1 C

SPLICE	PAGE
SPDL1LB8 (S)	XC 1 C
SPDL1LB9 (S)	XC 2 C
SPDL1LB10 (S)	XC 3 C
SPDL1LB11 (S)	XC 3 D
SPDL1LB12 (S)	XC 3 C
SPDL1LB13 (S)	XC 3 C
SPDL1LB14 (S)	XC 3 C
SPDL1LB15 (S)	XC 4 C
SPDL1LB16 (S)	XC 4 D
SPDL1LB17 (S)	XC 2 C
SPDL1LB18 (S)	XC 2 C
SPDL2H1 (S)	XA 0 D
SPDL2H6 (S)	XA 1 D
SPDL2H8 (S)	DF 1 D
SPDL2H9 (S)	DF 1 D
SPDL2HB8 (S)	XA 1 D
SPDL2HB9 (S)	XA 4 C
SPDL2HB10 (S)	XA 2 D
SPDL2HB11 (S)	XA 3 C
SPDL2HB12 (S)	XA 2 C
SPDL2HB13 (S)	XA 3 D
SPDL2L1 (S)	XA 0 D
SPDL2L6 (S)	XA 1 D
SPDL2L8 (S)	DF 1 D
SPDL2L9 (S)	DF 1 D
SPDL2LB8 (S)	XA 1 D
SPDL2LB9 (S)	XA 4 C
SPDL2LB10 (S)	XA 2 D
SPDL2LB11 (S)	XA 3 C
SPDL2LB12 (S)	XA 2 C
SPDL2LB13 (S)	XA 3 D
SPDL3HB1 (S)	BA 1 B
SPDL3HB2 (S)	BA 1 B
SPDL3LB1 (S)	BA 1 B
SPDL3LB2 (S)	BA 1 B
SPDL3LB16 (S)	HB 4 B
SPDL3LB16 (S)	HF 4 B
SPDL3LB16 A (S)	HG 5 B
SPDL3LB16 A (S)	HK 5 B
SPDL5HB1 (S)	BF 2 B
SPDL5LB1 (S)	BF 2 B
SPDL7H1 (S)	CF 1 B
SPDL7H1 (S)	CG 1 B
SPDL7H3 (S)	CP 3 B
SPDL7L1 (S)	CF 1 B
SPDL7L1 (S)	CG 1 B
SPDL7L3 (S)	CP 3 B
SPDL9H (S)	CD 4 B
SPDL9L (S)	CD 4 B
SPDL10HB1 (S)	XB 1 D

SPLICE	PAGE
SPDL10HB2 (S)	XJ 1 B
SPDL10LB1 (S)	XB 2 D
SPDL10LB2 (S)	XJ 0 B
SPDL17H1 ( )	FH 2 B
SPDL17H2 (S)	FH 2 D
SPDL17L1 ( )	FH 2 B
SPDL17L2 (S)	FH 2 C
SPDLA186AEA1 (S)	HJ 1 C
SPDLA186EA1 (S)	HL 2 C
SPDLA186FA1 (S)	HL 2 C
SPDLA186HAF (S)	HJ 1 C
SPEA21A1 (S)	CC 2 D
SPEA32A1 (S)	CC 1 C
SPEA33A1 (S)	CC 3 C
SPEC3 (S)	CP 1 C
SPEC8 (S)	CN 1 D
SPEC32 (S)	CN 1 D
SPEC38 (S)	CP 1 C
SPEC39 (S)	CP 2 C
SPEC40 (S)	CP 1 C
SPEC57 (S)	CN 0 C
SPEC62A (S)	CN 3 C
SPEC84A (S)	CP 1 D
SPEC84A2 ( )	CP 1 D
SPECFA1 (S)	CL 1 D
SPECHA1 (S)	CL 1 D
SPEMA32A1 (S)	CF 3 D
SPEMA32A1 (S)	CG 4 D
SPEMA49A (S)	CF 1 C
SPEMA49A (S)	CG 1 B
SPEMA54A1 (S)	CF 1 D
SPEMA54A1 (S)	CG 1 D
SPEMA59A1 (S)	CF 3 D
SPEMA59A1 (S)	CG 3 D
SPEMA62A2 (S)	CF 2 D
SPEMA62A2 (S)	CG 2 D
SPF03A1 (T)	IR 2 C
SPF06A1 (NS)	IG 2 C
SPF07A1 (NS)	IG 3 B
SPF08A1 (T)	NA 1 B
SPF08A2 (S)	IH 0 C
SPF08A3 (S)	IH 0 C
SPF08A4 (T)	CM 1 B
SPF14C1 ( )	GJ 1 C
SPF17A1 (T)	NA 3 B
SPF19A2/SPF55B2 ( )	GC 0 C
SPF26A1A (T)	IA 2 D
SPF26B1 (T)	IA 1 B
SPF26C1 (T)	IA 0 B
SPF26C4 (T)	IA 1 B

SPLICES

SPLICE	PAGE
SPF26C5 (T)	IA 1 C
SPF26C5A1 (T)	IA 0 B
SPF26C6 (T)	IA 1 D
SPF31B1 ( )	FF 2 C
SPF37A1 (T)	CM 0 B
SPF38A3 (T)	IS 1 B
SPF39A1 (T)	FH 1 B
SPF40A1 (T)	GA 1 B
SPF44A2 (T)	AQ 0 B
SPF44A6 (T)	AI 0 B
SPF44B3 (T)	AQ 0 B
SPF44B8 (T)	XB 4 E
SPF48A1 (T)	IB 2 B
SPF49A2 (T)	BH 1 B
SPF51A1 (T)	DA 1 C
SPF57A3 (T)	GI 2 C
SPF60A1 (NS)	HB 3 B
SPF60A1 (NS)	HK 4 B
SPF62C1 (S)	GK 3 D
SPF69A1 (S)	DA 2 B
SPF69A2 ( )	DA 3 D
SPF70A1 (T)	DP 1 C
SPF73A1 (S)	JE 1 C
SPF78V01A (S)	IA 2 C
SPF78V01B (S)	IA 2 B
SPF80A (T)	XB 2 C
SPF80A1 ( )	IG 3 B
SPF81D3 (S)	IH 2 C
SPFA2A3 (T)	DP 3 B
SPFA11E11 (T)	KG 0 C
SPFA11E11 (T)	KN 0 C
SPFA225B1 (S)	CN 3 C
SPFA225BB1 (S)	CL 3 B
SPFA225BC1 (S)	CL 3 B
SPFB01C1 ( )	HF 3 C
SPFB01C2 (NS)	HD 3 D
SPFB01C2 (NS)	HE 2 C
SPFB01C2 (NS)	HG 4 B
SPFB02A1 (NS)	HD 2 B
SPFB02A1 (NS)	HF 2 B
SPFB03A1 (NS)	HB 4 C
SPFB07A1 ( )	HF 2 C
SPFB07A5 (NS)	HD 4 C
SPFB07B1 (NS)	HE 2 B
SPFB07B1 (NS)	HF 3 B
SPFB08A1 (S)	CM 4 C
SPFB15A1 (T)	AG 1 C
SPFC8A1 (T)	FB 3 B
SPFD9AB1 (T)	IG 0 C
SPFE4A1 (S)	AG 2 C

SPLICE	PAGE
SPFE5A1 (S)	BP 2 B
SPFE7A1 (T)	BM 2 B
SPFE9A (S)	CB 2 B
SPFE11A1 (T)	EC 2 B
SPFE12A1 (S)	CE 2 C
SPFE13A2 ( )	FA 1 B
SPFE13A6 ( )	FA 3 C
SPFE14A1 (S)	FG 0 B
SPFE17B (S)	CP 3 C
SPFE18A (S)	CC 4 B
SPFE18B (S)	CN 1 C
SPFE19A (T)	DF 0 C
SPFF4A1 (T)	DF 1 C
SPFFB06 (NS)	HJ 1 C
SPFFB06A1 (NS)	HL 2 C
SPFM01A1 (T)	AQ 2 B
SPFM01B1 ( )	AM 2 A
SPFM01B1 ( )	AQ 2 A
SPFT01A1 (S)	CF 0 C
SPFT01A1 (S)	CG 0 B
SPFT02AA1 (S)	DB 0 D
SPFT02AA2 (S)	DB 0 C
SPFV03A (S)	AH 2 C
SPFV03B (S)	AH 3 C
SPG02BNEG (S)	AE 1 A
SPG02BPOS ( )	AE 1 A
SPGB12A1 (NS)	HE 2 C
SPGB12A1 (NS)	HK 3 C
SPGNDW (S)	MC 0 B
SPHA13A2 (S)	BA 3 E
SPHA19AE (S)	BP 2 C
SPHB4A1 (T)	BA 2 E
SPHC3A1 (T)	BA 2 D
SPHC11A2 ( )	BB 1 B
SPHC12A1 (T)	GQ 1 C
SPHD2A1 (T)	BA 1 D
SPHD13A1 (T)	BA 1 D
SPJD019 (T)	BA 0 D
SPJB020 (T)	BA 0 D
SPJB06 (T)	BA 0 D
SPLB1A1 (T)	KG 2 C
SPLB1A1 (T)	KN 2 C
SPLB2A1 (T)	KG 3 C
SPLB2A1 (T)	KN 3 C
SPLB3A (T)	KE 1 D
SPLB3A (T)	KF 2 C
SPLB3A (T)	KG 2 D
SPLB3A (T)	KL 1 D
SPLB3A (T)	KM 2 D
SPLB3A (T)	KN 2 E

SPLICE	PAGE
SPLB3A1 (T)	KF 3 D
SPLB3A1 (T)	KM 2 D
SPLB4A (T)	KE 1 D
SPLB4A (T)	KF 2 C
SPLB4A (T)	KG 2 D
SPLB4A (T)	KL 2 D
SPLB4A (T)	KM 2 D
SPLB4A (T)	KN 2 E
SPLB4A1 (T)	KF 3 D
SPLB4A1 (T)	KM 3 D
SPLB5A (T)	KE 2 D
SPLB5A (T)	KF 3 C
SPLB5A (T)	KG 1 D
SPLB5A (T)	KL 0 D
SPLB5A (T)	KM 3 D
SPLB5A (T)	KN 1 D
SPLB5A1 (T)	KF 3 C
SPLB5A1 (T)	KM 4 D
SPLB6A (T)	KE 2 D
SPLB6A (T)	KF 3 D
SPLB6A (T)	KG 1 D
SPLB6A (T)	KL 0 D
SPLB6A (T)	KM 3 D
SPLB6A (T)	KN 1 E
SPLB6A1 (T)	KF 3 C
SPLB6A1 (T)	KM 4 D
SPLB7A1 (T)	KG 2 C
SPLB7A1 (T)	KN 2 C
SPLB8A1 (T)	KG 2 C
SPLB8A1 (T)	KN 2 C
SPLC1A1 (CRIMP SPLICE)	BE 2 D
SPLTY (S)	MC 1 C
SPMA18A1 (T)	BM 1 D
SPMB2A1 (T)	BM 2 D
SPMRKBN (S)	MC 1 C
SPN58A2 (S)	DE 2 D
SPN103A1 (T)	DF 2 D
SPN117A1 (T)	DF 3 E
SPN123A2 (T)	DF 3 D
SPN131A1 (S)	DE 1 D
SPNA16 (S)	DA 3 A
SPNA19A1 ( )	DA 4 C
SPP8AK (NS)	HE 4 D
SPPA4B1 (S)	MA 3 B
SPPA7A1 (S)	GE 1 B
SPPA7A1A1 (S)	GE 2 B
SPPA10A3 (S)	GF 1 C
SPPA10A5 ( )	GF 3 D
SPPA13A1 ( )	GF 3 D
SPPA17A1 (T)	GC 2 C

SPLICE	PAGE
SPPA17A7 (S)	GC 3 C
SPPCAG2 (T)	DP 3 B
SPPD1A1 (S)	GE 0 B
SPPD1A1A1 (S)	GE 2 B
SPPD4A1 (T)	GA 2 D
SPPD4A3 (S)	GD 3 B
SPPD4A6 (S)	GD 4 D
SPPD7A1 ( )	GG 2 C
SPPD7A1 ( )	GH 2 B
SPPD7B1 (T)	GG 0 B
SPPD8A1 (T)	GB 0 B
SPPD16B1 (S)	MA 3 B
SPPD17A1 ( )	IE 2 B
SPPD18A1 (T)	GI 1 C
SPRA7A1 (T)	EB 1 D
SPRA7A1 (T)	EH 1 D
SPRA11A1 ( )	EB 2 D
SPRA11A1 ( )	EH 2 D
SPRA17A1 ( )	EB 2 D
SPRA17A1 ( )	EH 2 D
SPRA30A1 (T)	EB 1 C
SPRA30A1 (T)	EH 1 C
SPRTGN (S)	MC 1 C
SPSTOPRD (S)	MC 0 B
SPUGG06F (S)	HJ 2 B
SPUGG06F (S)	HL 3 B
SPX01 (S)	AF 0 C
SPX01_B (S)	AL 1 B
SPX01A1 ( )	AN 3 C
SPX01A2 ( )	AN 3 C
SPX01A3 1 (S)	CB 1 D
SPX01B1 (S)	AE 1 C
SPX01B 2 (S)	AN 1 C
SPX01BA1 (S)	AE 2 C
SPX01BA1 (S)	AN 1 C
SPX01DA5 (S)	GF 1 D
SPX01DA5A1 (S)	GF 1 B
SPX01DA7 ( )	GF 3 E
SPX01DA12 ( )	FA 3 D
SPX01DA21 (S)	GP 3 C
SPX01DA25 (S)	GD 3 E
SPX01FLA1 (S)	AL 4 C
SPX01FMA1 (S)	AL 2 D
SPX01X90F (S)	GD 0 C
SPX01X90F3 (S)	GD 3 C
SPX01X90F3 (S)	IC 0 E
SPX01X91B (S)	GD 1 C
SPX02A1 (S)	CC 4 D
SPX02A1 (S)	HA 0 E
SPX02AA1 (S)	CN 4 D

## SPLICES

SPLICE	PAGE
SPX02AA1 (S)	HA 0 E
SPX02CA1 (S)	HA 1 D
SPX02CA4 ( )	DP 2 E
SPX03BA1 (T)	DF 0 C
SPX03D (T)	AE 3 D
SPX03D1 (T)	AE 3 D
SPX03D2 (T)	AE 3 D
SPX03D2 (T)	AH 4 D
SPX03D2 (T)	BA 3 E
SPX03D2 (T)	GA 1 D
SPX03D2 (T)	GB 2 E
SPX03D2 (T)	GG 0 E
SPX03D5 (T)	AE 3 C
SPX03D5 (T)	BA 4 D
SPX03D5 (T)	GA 2 E
SPX03D5 (T)	GG 1 E
SPX03D5 (T)	GH 0 E
SPX03D5 (T)	IE 2 E
SPX03D5 (T)	IG 4 C
SPX03D5 (T)	IR 1 D
SPX03D6 (T)	AE 3 C
SPX03D6 (T)	GB 1 D
SPX03D6 (T)	HA 1 C
SPX03D6 (T)	IG 0 E
SPX03DA13 (T)	JG 0 C
SPX03DA26 (S)	AE 3 E
SPX03DA26 (S)	IA 2 E
SPX03DA26 (S)	IC 1 C
SPX03DA26 (S)	IF 1 E
SPX03DA111 (CRIMP SPLICE)	BE 2 D
SPX03DD2 (T)	AE 4 B
SPX03DD2 (T)	GB 2 E
SPX03DD2 (T)	IA 0 C

SPLICE	PAGE
SPX03DD2 (T)	IG 1 D
SPX03DD5 (S)	GC 3 D
SPX03DD15 (T)	KG 3 C
SPX03DD15 (T)	KN 3 D
SPX03DD16/SPX03D100 ( )	GC 0 D
SPX03DF6 (S)	AE 4 B
SPX03DF6 (S)	IA 1 E
SPX03DF6 (S)	IC 3 C
SPX03DF6 (S)	IF 2 E
SPX03DF22 (T)	AE 4 B
SPX03DF22 (T)	GC 2 D
SPX03E (T)	AE 3 C
SPX03E1 (T)	AE 3 B
SPX03E1A (T)	GI 1 D
SPX03E1A (T)	GJ 2 E
SPX03E1B (T)	IB 2 D
SPX03E1C (T)	BH 0 C
SPX03E1D (T)	BM 1 E
SPX03E2 (T)	AE 4 C
SPX03E2 (T)	AG 0 D
SPX03E2 (T)	IG 0 E
SPX03E4 (T)	AE 4 D
SPX03E4 (T)	GK 1 C
SPX03E4 (T)	GP 1 C
SPX03E4 (T)	IA 4 D
SPX03E6 (T)	AE 3 E
SPX03E6 (T)	GA 2 E
SPX03E6 (T)	HA 1 E
SPX03E6 (T)	IE 2 E
SPX03E7 (T)	AQ 3 C
SPX03E8 (T)	IS 1 D
SPX03FA1 (T)	HB 0 D
SPX03FA1 (T)	HD 0 E

SPLICE	PAGE
SPX03FA1 (T)	HE 3 C
SPX03FA2 (T)	XB 1 E
SPX03FA3 (T)	XB 3 E
SPX03FA4 (T)	NA 1 C
SPX03FA5 (T)	NA 2 C
SPX03FA22 (T)	HK 1 D
SPX03FA33 ( )	GJ 1 D
SPX03FA37 ( )	GG 3 D
SPX03FA37 ( )	GH 2 C
SPX03FA39 (NS)	GH 0 D
SPX03FA39 1 ( )	GH 0 D
SPX03FA43 ( )	IE 2 D
SPX03FA52 (NS)	HB 1 D
SPX03FA52 (NS)	HK 3 D
SPX03FA55 (NS)	HD 0 D
SPX03FA55 (NS)	HF 0 D
SPX03FA55 (NS)	HG 2 C
SPX03FA56 (NS)	HD 2 D
SPX03FA56 (NS)	HF 2 D
SPX03FA60 ( )	HG 3 D
SPX03FA62 (NS)	HD 3 D
SPX03FA62 (NS)	HE 2 D
SPX03FA62 (NS)	HG 4 C
SPX03FA73 ( )	HF 3 D
SPX03FA73A3 (NS)	HD 4 D
SPX03FA109 (NS)	HE 1 C
SPX03FB1 (T)	XB 3 E
SPX03FB2 (T)	EB 3 E
SPX03FB2 (T)	EH 3 E
SPX03FC1 (T)	HB 1 E
SPX03FC1 (T)	HD 0 E
SPX03FC1 (T)	HF 0 E
SPX03FC1 (T)	HG 3 E

SPLICE	PAGE
SPX03FC2 (T)	EB 4 D
SPX03FC2 (T)	EH 4 C
SPX03FC4 (T)	IR 1 D
SPX03FC5 (T)	NA 2 C
SPX03FD1 (T)	DP 3 C
SPX03FH1 ( )	HF 2 D
SPX03G (T)	DA 2 C
SPX03GA1 (S)	DA 4 B
SPX03GA4 (S)	DA 1 C
SPX03X95B (S)	AL 0 D
SPX03X95B (S)	GP 2 E
SPX03X95B (S)	GQ 1 E
SPX03X95D (S)	CM 3 C
SPX03X95E (S)	GI 2 E
SPX04BA1 (S)	EB 2 A
SPX04BA1 (S)	EH 2 A
SPX04EA1 (S)	IH 0 E
SPX04EA2 (S)	IH 0 D
SPX04EA3 (S)	IH 2 B
SPX4FA1 (S)	DB 0 C
SPX04FA6 (T)	NA 3 C
SPX07A2 (NS)	HI 0 B
SPX12A1 ( )	FH 2 B
SPX16AB (T)	CM 1 C
SPX137CA1 ( )	BF 2 D
SPXA170 (NS)	HJ 0 D
SPXA170 (NS)	HL 1 D
SPXC1A1 (T)	BB 5 A
SPXC1F6 ( )	BB 1 B
SPXC1G4A1 (S)	CL 3 C
SPXC1G4A1 (S)	HA 1 E
X92G (S)	FC 1 E

0

1

2

3

4

## SHELLS

REF	PAGE
A03	BA 0 C
A03	BB 2 C
A03	GQ 1 B
A03S	BA 0 D
A03V	BA 0 D
A04A	HE 0 B
A04A	HG 2 B
A04B	HF 0 B
A05	BF 3 D
A11	IF 1 B
A12B	EC 0 C
A12B	ED 0 A
A12B	FG 2 C
A13B	DA 3 D
A13E	DA 2 B
A14B	CC 1 B
A14B	XE 1 C
A14C	CN 0 D
A14C	CP 0 E
A14C	XG 3 C
A15	JA 0 C
A15A	JA 2 C
A16	EB 0 C
A16	EH 0 C
A17	AG 1 C
A17	AH 1 D
A17	AI 0 A
A17	AJ 2 C
A19E	DF 0 E
A27	GA 1 C
A27	GB 1 C
A27	GG 0 A
A27	GK 0 B
A34	HA 2 B
A36	BM 1 C
A46	HB 4 B
A46	HD 2 A
A46	HE 3 A
A46	HF 3 A
A46	HG 4 A
A46	HK 5 B
A48	KG 4 B
A48	KN 2 B
A55A	DB 1 D
A56	KG 0 C
A56	KN 0 C
A57A	DE 0 A
A57A	DF 0 C
A58A	DE 0 D
A61A	HJ 4 C

REF	PAGE
A61A	HL 5 C
A70A	DB 0 C
A72	AQ 2 C
A72	HB 1 D
A72	HK 2 D
A80	FA 1 C
A109	DA 1 C
A131A	HJ 4 B
A131A	HL 5 B
A137	CF 0 C
A137	CG 0 C
A137	XF 3 B
A137	XI 3 B
A138	CF 2 E
A138	CG 2 E
A147	BP 2 D
A148	IB 2 C
A150	BJ 1 D
A150	KO 1 D
A158	KD 2 C
A158	KE 1 C
A158	KF 2 B
A158	KG 3 A
A170	HJ 0 B
A170	HL 1 B
A175	BF 1 C
A175B	BF 1 D
A176	JG 2 B
A186	HJ 1 C
A186	HL 2 C
A225	CN 3 A
A225B	CL 3 A
A230	KO 3 C
A231	KL 3 D
A231	KM 2 C
A231	KN 3 A
A231	KO 2 B
A234	FH 1 A
A235	FH 2 D
A240	FG 0 C
A240	XD 3 B
A240	XE 3 C
A240	XF 2 B
A240	XG 2 B
A240	XH 2 D
A247	FG 2 A
A248	EE 1 C
A261	BF 1 D
A320	BY 1 C
A374	JH 1 C

REF	PAGE
A381DS	IS 0 C
A381PS	IS 2 C
B06	BA 2 D
B06A	BA 1 D
B06AP	BA 2 D
B06B	BA 1 D
B07	BA 3 D
B09A	BA 3 D
B13	EC 2 B
B14	EC 1 B
B15	EC 0 B
B16	EC 4 D
B17	EC 1 D
B18	EC 2 D
B22A	BA 3 D
B22B	BA 3 D
B22C	CL 2 B
B22C	CN 3 C
B23A	DE 3 D
B25A	AI 4 B
B28L	EB 1 E
B28L	EH 1 E
B30A	EB 2 E
B30A	EH 2 E
B39	BB 3 B
B49	ED 1 D
B50	ED 2 D
B55A	EB 0 D
B55A	EH 0 D
B55B	EH 0 D
B56	BA 1 D
B58A	EB 1 D
B58A	EH 1 D
B58R	BA 2 D
B59	HA 2 B
B60A	KE 2 D
B60A	KF 4 E
B60A	KG 1 D
B60A	KL 0 E
B60A	KM 4 E
B60A	KN 1 D
B60B	KE 1 D
B60B	KF 2 E
B60B	KG 1 D
B60B	KL 2 E
B60B	KM 2 E
B60B	KN 2 E
B60C	KE 0 D
B60C	KG 0 D
B60C	KL 3 E

REF	PAGE
B60C	KN 0 E
B60CA	KF 4 D
B60CA	KM 4 E
B60D	KE 0 D
B60D	KG 0 D
B60D	KL 3 E
B60D	KN 0 E
B60DA	KF 3 E
B60DA	KM 2 E
B60E	KF 0 D
B60E	KM 0 E
B60F	KF 0 D
B60F	KM 0 E
B60G	KG 2 D
B60G	KN 3 E
B60H	KG 3 D
B60H	KN 3 E
B60I	KG 3 D
B60I	KN 3 E
B60J	KF 1 D
B60J	KM 1 E
B60K	KF 1 D
B60K	KM 1 E
B60L	KF 0 B
B60LR_H2	KM 0 B
B60LR_H4	KM 0 C
B60M	KF 0 B
B60N	KG 4 D
B60N	KN 4 C
B60P	KG 4 D
B60P	KN 4 C
B60RR_H2	KM 1 B
B60RR_H4	KM 1 C
B61B	KE 1 D
B61B	KF 2 E
B61B	KG 2 D
B61B	KL 3 E
B61B	KM 2 E
B61B	KN 1 E
B61L_D	KE 2 E
B61L_D	KF 3 E
B61L_D	KG 0 D
B61L_D	KL 0 E
B61L_D	KM 3 E
B61L_D	KN 0 D
B62	KG 4 C
B62	KN 3 A
B63	CM 2 B
B63	KG 3 B
B63	KN 4 B

REF	PAGE
B67	KO 2 D
B68	AI 0 C
B68	CL 1 B
B68	CN 2 C
B68_B	AI 1 C
B70	EE 1 D
B71	EE 2 D
B80	CA 1 E
B82A	JE 1 D
B121	GP 3 B
B122A	CL 2 E
B122B	CL 2 E
B123	CB 2 D
B123A	CB 3 D
B123B	CC 1 D
B123B	CN 0 C
B123C	CL 2 E
B124RC	BB 5 B
B124RF	BB 5 C
B124RR	BB 5 C
B142C	CF 1 B
B142C	CG 1 A
B142C	CP 3 A
B152	ED 3 C
B153	ED 3 C
B164L	BB 4 D
B164L	KE 2 D
B164L	KF 3 D
B164L	KG 1 E
B164L	KL 0 D
B164L	KM 3 E
B164L	KN 1 E
B164R	BB 4 E
B164R	KE 1 D
B164R	KF 1 D
B164R	KG 2 D
B164R	KL 1 E
B164R	KM 2 D
B164R	KN 2 E
B168	BE 3 C
B177	ED 3 C
B185A	CL 1 D
B191	CD 4 A
B206	CC 2 D
B235	JF 1 C
B243	GB 3 B
B300B	CM 4 D
B319	CM 1 E
E05A	GG 1 C
E05A	GH 2 C

REF	PAGE
E05B	GH 0 C
E05C	GG 2 C
E05C	GH 0 C
E05D	GG 2 C
E05D	GH 1 C
E05G	GG 2 A
E05J	GG 3 C
E05J	GH 3 C
E05K	GG 1 C
E05K	GH 1 C
E05L	GG 4 C
E05L	GH 3 C
E06LED	GK 2 E
E07L	GE 2 C
E07R	GG 2 C
E08L	GE 2 C
E08R	GE 2 C
E10	GF 3 B
E11L	GA 2 D
E11L	IE 2 C
E11LF	GD 3 B
E11R	GA 2 D
E11R	IE 2 C
E11R1	GA 0 C
E11RF	GD 3 B
E12A	GC 1 D
E12B	GC 1 D
E12C	GC 2 D
E12D	GC 2 D
E12E	GC 2 D
E14L	GJ 1 D
E14R	GJ 1 D
E16L	IA 1 D
E16R	IA 1 E
E17C	HG 4 D
E17C_H2	HD 1 C
E17C_H2	HF 2 C
E17C_H4	HD 2 C
E17C_H4	HF 3 C
E17D	HE 3 C
E17D	HG 4 B
E17L	IA 0 B
E17R	IA 0 B
E18M	HD 1 C
E18M	HF 1 C
E22A	GC 0 D
E22B	GC 0 D
E22C	GC 0 D
E23C_A	HD 2 C
E23C_A	HF 2 B

0

1

2

3

4

0

1

2

3

4

## SHELLS

REF	PAGE
E23C A	HG 5 C
E23PS	HD 3 C
E23PS	HF 3 B
E23PS	HG 5 C
E24	IA 4 C
E26L	GD 0 D
E26L_1	GD 3 D
E26R	GD 2 D
E26R_1	GD 4 D
E26VL	GD 0 C
E26VR	GD 1 C
E28A	HJ 0 C
E28A	HL 1 C
E32	HB 3 D
E32	HK 4 D
E35	HA 2 D
E36A	GC 3 D
E36B	GC 3 D
E36C	GC 3 D
E36D	GC 4 D
E36E	GC 4 D
E37	HG 3 B
E39	GF 2 C
E43L	GE 0 C
E43R	GE 1 C
E53R	HE 4 E
E55L	GE 4 C
E55R	GE 4 C
E81A	IH 0 D
E81B	IH 0 D
E81C	IH 1 D
E81D	IH 1 D
E81E	IH 1 D
E81F	IH 1 D
E81G	IH 2 D
E81H	IH 2 D
E81J	IH 2 D
E81K	IH 3 D
E82A	HB 4 D
E82A	HK 5 D
E91DS	IA 0 D
E91PS	IA 0 E
E109L	IA 0 D
E109R	IA 0 E
E110	IA 4 C
E111	BB 3 D
E123L	GE 3 C
E123R	GE 4 C
E130L	IA 1 D
E130R	IA 1 E

REF	PAGE
E147A	IH 0 B
E147B	IH 1 B
E147C	IH 1 B
E147D	IH 1 B
E147E	IH 1 B
E147F	IH 2 B
E147J	IH 2 B
E147K	IH 2 B
E147L	IH 2 B
E147M	IH 3 B
E148A	HD 2 D
E148A	HF 3 D
E148B	HD 4 C
E148B	HF 4 C
E148C	HG 3 B
E148D	HG 3 B
E148E	HE 2 C
E148E	HG 3 C
E148F	HE 2 C
E148F	HG 4 C
E148G	HF 2 D
E148H	HF 2 D
E148J	HD 3 D
E149	HD 3 D
E149	HF 3 D
earth24_71	BL 4 B
earth33_672	BL 4 C
F01	AB 4 D
F01	IC 3 A
F02	AB 4 D
F02	HA 0 A
F03	AB 4 D
F03	IR 2 A
F04	AB 3 D
F04	KE 1 A
F04	KF 2 A
F04	KG 1 A
F04	KL 1 A
F04	KM 2 A
F04	KN 1 A
F05	AA 0 C
F05	HB 3 A
F06	AA 0 C
F06	IG 2 A
F07	AA 0 C
F07	IG 3 A
F08	AA 1 C
F08	NA 1 A
F09	AA 1 C
F09	IG 4 A

REF	PAGE
F10	AA 1 C
F10	AQ 3 A
F11	AB 3 D
F12	AB 3 D
F12	IG 0 A
F13	AB 3 D
F13	IC 1 A
F14	AB 4 D
F15	AA 1 C
F15	HB 2 A
F16	AA 2 C
F16	IG 1 A
F17	AA 2 C
F17	NA 3 A
F18	AA 2 C
F18	HB 3 A
F19	AA 2 C
F19	BH 0 A
F19	GC 1 B
F20	AA 0 A
F20	GO 1 A
F21	AB 3 B
F21	BE 3 B
F22	AA 3 C
F22	IG 1 A
F23	AB 0 C
F23	AQ 4 A
F24	AA 3 C
F24	IS 2 B
F25	AB 3 D
F26	AA 3 C
F26	IA 1 A
F26	IH 4 A
F27	AA 0 A
F27	GB 2 A
F28	AA 3 C
F28	AQ 3 A
F29	AA 2 D
F29	AC 2 A
F30	AB 3 B
F30	DB 3 B
F31	AB 3 B
F31	BY 1 B
F31	CC 3 A
F31	CL 0 B
F31	CN 2 C
F32	AB 1 C
F32	AQ 4 A
F33	AB 2 C
F33	BA 3 A

REF	PAGE
F33	FC 1 A
F33	FD 2 A
F33	FF 1 A
F34	AB 0 C
F35	AB 3 C
F35	BH 0 A
F36	AB 1 C
F36	BE 2 A
F36	BF 2 A
F36	BJ 1 A
F37	AB 2 C
F37	CM 0 A
F38	AB 2 C
F38	HB 3 A
F38	IS 1 B
F39	AA 2 D
F39	FH 1 A
F40	AA 2 A
F40	GA 1 A
F41	AA 0 A
F41	EC 2 A
F42	AA 0 A
F42	BF 1 A
F43	AA 0 A
F43	HB 2 A
F44	AA 1 A
F44	AQ 1 A
F45	AB 3 B
F46	AB 0 C
F46	BH 1 A
F47	AB 3 C
F47	BH 1 A
F48	AB 1 C
F48	IB 2 A
F49	AB 2 C
F49	GK 1 A
F50	AA 2 B
F50	DA 0 B
F51	AA 2 B
F51	DA 1 B
F52	AA 1 A
F52	BA 0 A
F53	AB 1 B
F53	AG 0 B
F53	BA 0 A
F54	AB 1 B
F54	AG 0 B
F54	AK 1 A
F54	DA 1 A
F54	DF 1 A

REF	PAGE
F55	AA 2 D
F56	AA 2 D
F56	JG 0 B
F57	AA 3 D
F57	GI 2 A
F58	AA 3 D
F58	GI 1 A
F59	AA 3 D
F59	JH 1 A
F60	AA 1 A
F60	HA 0 A
F61	AA 1 A
F61	BE 2 A
F61	BF 1 A
F61	BY 1 A
F62	AB 0 C
F63	AB 0 C
F63	AQ 4 A
F64	AB 1 C
F65	AB 1 C
F66	AA 2 A
F66	DA 0 A
F67	AA 2 A
F68	AA 2 A
F68	KE 1 A
F68	KF 2 A
F68	KG 1 A
F68	KL 1 A
F68	KM 2 A
F68	KN 1 A
F69	AB 1 B
F69	AG 0 B
F70	AB 1 B
F70	BM 1 A
F70	DP 2 A
F71	AA 2 A
F72	AA 3 D
F72	JA 3 A
F73	AA 3 D
F73	EB 3 A
F73	EH 3 A
F73	JE 1 A
F74	AA 4 D
F74	EE 1 A
F75	AA 4 D
F75	GP 0 A
F76	AA 2 A
F76	IS 0 B
F77	AA 2 A
F77	JG 0 A

REF	PAGE
F78	AA 3 A
F78	GB 2 B
F79	AA 3 A
F79	GB 2 B
F80	AA 3 A
F80	XB 2 A
F80	XJ 3 B
F81	AA 3 A
F81	GB 2 A
F82	AA 3 A
F82	GB 2 A
F83	AA 4 A
F83	GB 2 B
F84	AA 4 A
F84	IF 2 A
F85	AA 4 A
F85	BJ 1 A
F86	AA 4 A
F86	EB 4 A
F86	EH 4 A
F86	GJ 1 A
F87	AA 4 A
F87	AQ 3 A
FB8	AM 0 D
FB08	CM 4 B
FB09	HI 1 B
FE1	AC 0 B
FE1	MA 1 A
FE2	AC 1 B
FE2	MA 1 A
FE3	AC 1 B
FE3	MA 2 A
FE4	AC 1 C
FE4	AG 2 B
FE5	AC 2 C
FE5	AG 3 A
FE5	BP 2 A
FE6	AC 2 C
FE7	AC 2 C
FE8	AC 2 C
FE8	AG 3 A
FE9	AC 3 C
FE9	AG 4 A
FE10	AC 3 C
FE10	MA 3 A
FE11	AC 3 C
FE11	EC 2 A
FE12	AC 3 C
FE12	CE 2 A
FE13	AC 3 C

0

1

2

3

4

0

1

2

3

4

## SHELLS

REF	PAGE
FE13	FA 2 A
FE14	AC 4 C
FE14	FG 0 A
FE15	AC 4 C
FE16	AC 4 C
FE17	AD 0 B
FE17	CP 3 A
FE18	AD 0 B
FE18	CC 4 A
FE19	AD 1 B
FE19	DB 3 B
FE19	DF 0 A
FE20	AD 1 B
FE20	MA 3 B
FE21	AD 1 B
FE21	MA 3 B
FE22	AD 1 B
FE23	AD 2 B
FE24	AD 2 B
FE24	FH 0 A
FE25	AD 0 B
FE25	CP 1 A
FEM01	AM 2 A
FEM01	AQ 2 A
FEM02	AN 2 C
FEM03A	ND 1 D
FEM03B	ND 2 D
FFB06A	HJ 2 B
FFB06A	HL 3 B
FFB07A	HJ 3 B
FFB07A	HL 4 B
FFB08A	HJ 3 B
FFB08A	HL 4 B
FM08A	HJ 4 D
FM08A	HL 4 D
FM A5	HJ 2 B
FM A5	HL 3 B
FRS	AM 0 D
FT01	CF 0 B
FT01	CG 0 B
FT02	DB 0 D
FT03	AM 2 E
FT04	AM 3 E
G01	AE 0 E
G01	AF 2 D
G01	AL 0 C
G01	AM 1 D
G01	AN 0 D
G01	AQ 3 B
G01	CF 0 B

REF	PAGE
G01	CG 0 B
G01	CL 4 A
G01	CN 4 B
G01	HI 1 B
G01	HJ 4 E
G01	HL 5 E
G01	ND 1 D
G01B	BL 2 B
G01C	BL 1 C
G01D	BL 1 D
G01E	BL 1 B
G01F	HJ 2 C
G01F	HL 3 C
G02	AE 2 A
G02	AF 2 C
G02	AL 1 A
G02	AM 1 B
G02	AN 1 A
G03H	HI 0 B
G04	HC 1 B
G04	HI 2 B
H02A	GQ 1 D
H02A S	GQ 4 E
H03	GF 3 D
H03	GK 3 E
H16	CM 1 B
H17	CM 3 B
L E10LED	GF 0 C
M01	GP 2 D
M02A	GP 3 B
M04	AE 1 B
M04	AF 2 A
M04	AK 2 B
M04	AL 0 A
M04	AM 0 A
M04	AN 0 B
M04	BP 3 B
M04A	AF 3 A
M04B	AM 1 A
M06DS	IC 2 A
M06PS	IC 3 A
M41	CN 2 C
M55	HJ 1 D
M55	HL 1 D
M105DS	IA 3 D
M105DS	IF 1 D
M105PS	IA 3 D
M105PS	IF 2 D
M106DS	IE 1 C
M106PS	IE 3 C

REF	PAGE
M110L	IC 0 B
M110R	IC 4 B
OBD	XB 1 B
OBD-II	XB 3 D
OBD-II	XJ 3 D
P03	HI 0 C
R01A	CA 2 D
R05A	FA 2 C
R05C	FA 3 C
R08	XE 4 B
R08	XG 4 A
R08	XH 4 C
R08B	BF 2 A
R08C	XC 4 C
R08H	BA 1 A
R08I	CP 2 B
R08M	XA 0 C
R09	CE 2 C
R09B	CE 2 C
R15	IB 2 D
R21	XA 4 D
R21	XJ 3 B
R21A	XB 1 D
R21A	XJ 1 D
R21B	XJ 0 B
R29	CP 1 C
R29A	CF 4 E
R29A	CG 4 E
R30	CP 2 C
R31	CP 1 C
R31A	CF 3 E
R31A	CG 4 E
R58L	IC 0 D
R58R	IC 4 D
R91	FH 2 D
R92L	IR 2 D
R92R	IR 2 D
R E10LED	GF 1 C
RE01	AC 0 C
RE01	MA 0 B
RE02	AC 1 C
RE02	MA 1 B
RE03	AC 1 C
RE03	MA 2 B
RE04	AC 2 C
RE04	AG 2 B
RE05	AC 2 C
RE06	AD 2 B
RE06	AK 2 D
RE06	BP 2 B

REF	PAGE
RE07	AD 3 B
RE07	CN 1 B
RE08	AD 2 D
RE08	CP 3 B
RE09	AD 0 D
RE09	CP 1 B
RE10	AD 1 D
RE10	CP 1 B
RE11	AD 1 D
RE11	CP 2 B
RLY01	AB 4 B
RLY01	AQ 1 D
RLY02	AB 3 D
RLY02	KE 0 B
RLY02	KF 1 B
RLY02	KG 0 B
RLY02	KL 0 B
RLY02	KM 2 B
RLY02	KN 0 B
RLY03	AA 0 D
RLY03	GC 1 B
RLY04	AB 0 D
RLY04	CL 1 B
RLY05	AB 0 E
RLY06	AB 0 E
RLY07	AB 2 A
RLY07	GI 1 C
RLY08	AB 2 A
RLY08	GI 2 C
RLY09	AA 1 D
RLY09	IA 2 B
RLY10	AA 0 B
RLY10	GQ 1 C
RLY11	AB 2 B
RLY11	AK 1 D
RLY11	DA 0 B
RLY11	DB 2 B
RLY11	DF 2 B
RLY12	AB 1 D
RLY12	BM 5 A
RLY13	AB 3 A
RLY13	GI 3 C
RLY14	AB 2 C
RLY14	FB 3 A
RLY14	FE 1 A
RLY14	GK 1 B
RLY15	AB 2 B
RLY15	DF 3 B
RLY16	AA 3 B
RLY16	DF 4 B

REF	PAGE
RLY17	AB 0 B
RLY17	AQ 0 D
RLY18	AA 2 B
RLY18	DA 1 B
RLY19	AB 1 A
RLY19	AG 1 B
RLY20	AA 4 C
RLY20	AQ 1 C
RLY21	AB 1 D
RLY21	DP 1 B
RLY22	AA 4 B
RLY22	EB 4 B
RLY22	EH 4 B
RLY23	AA 3 E
RLY23	GP 1 B
RLY24	AA 4 E
RLY24	GP 0 B
RLY25	AB 2 E
RLY25	AH 3 B
RLY26	AB 1 E
RLY26	AH 2 B
RLY41	HB 4 D
RLY41	HK 5 D
RLYER5	CM 0 C
RLYER6	CM 0 C
S01	GA 1 B
S04	HB 0 B
S04	HK 1 B
S05A	HD 0 B
S05A	HF 0 B
S05A	HG 2 D
S06	BA 2 B
S07	AJ 2 C
S07B	AJ 2 B
S08	FD 1 B
S09	FD 2 B
S11A	FB 0 C
S11B	FB 1 C
S11C	FB 2 C
S11E	EB 3 D
S11E	EH 3 D
S12	GI 2 E
S15	AQ 1 B
S28A	DP 2 C
S28B	DP 3 C
S28C	DP 4 C
S28J	BM 3 B
S31	EC 3 E
S41	AM 1 B
S43	AH 4 D

REF	PAGE
S43A	DF 2 E
S43B	DB 2 D
S43C	GA 3 B
S45BB	BB 2 B
S45BC	BB 2 B
S48A	GB 2 E
S49	GK 0 A
S58	AI 3 B
S59	AI 3 C
S61A	IR 1 D
S75	GJ 1 B
S76	GG 0 C
S80DS	IC 1 B
S80PS	IC 3 B
S89	BM 5 B
S93	FC 0 E
S94A	FC 2 B
S97	CH 2 B
S101	DB 0 C
S104A	NA 1 C
S104B	NA 2 C
S104C	NA 3 C
S104D	NA 4 C
S115	IF 3 C
S169	AF 2 B
S169	AM 1 C
S169	AQ 3 B
S169	HI 1 A
S169A	AM 3 D
S171	DA 1 D
S171A	DA 3 D
S202	JG 0 B
S212	EC 4 B
S223	AH 1 E
S234A	IB 2 B
S283	HE 4 C
S283RR	HE 4 B
S311	EH 3 B
S316	BM 3 A
S359	GB 3 D
S365	IH 4 B
S369A	BB 1 A
S369F	BB 1 A
S369R	BB 1 A
S370	EB 2 D
S370	EH 2 D
S371	BB 2 B
S431P	FE 1 B
S468	FF 1 C
S493	DF 3 D



0

1

2

3

4

## SHELLS

REF	PAGE
S519	BA 3 B
SK141A	BA 3 A
SK141A	BM 3 A
SK141A	DB 1 A
SK141A	DP 2 A
SK141A	GB 0 A
SK141A	HB 0 A
SK141A	IB 1 A
SK141A	IF 3 A
SK141A	IH 4 A
SK141A	JG 0 A
SK141B	AH 0 A
SK141B	AJ 1 A
SK141B	DE 4 A
SK141B	EB 4 A
SK141B	EC 3 A
SK141B	EH 4 A
SK141B	FC 2 A
SK141B	FD 0 A
SK141B	FE 1 A
SK141B	FF 0 A
SK141B	GB 1 A
SK141B	HE 3 B
SK141B	NA 1 A
SK141C	BM 3 A
SK141C	CH 1 A
SK141C	DA 1 A
SK141C	DP 2 A
SK141C	FB 0 A
SK141C	GB 1 A
SK141C	GI 2 A
SKX03D	AE 3 B
SKX03D	BB 3 E
SKX03D	BH 0 D
SKX03D	BM 1 D
SKX03D	CM 0 D
SKX03D	GC 0 B
SKX03D	GI 1 E
SKX03D	HA 1 C
SKX03D	HB 0 D
SKX03D	IB 1 E
SKX03D	IF 3 C
SKX03D	KG 3 C
SKX03F A	AE 3 D
SKX03F A	BB 3 E
SKX03F A	BM 1 E
SKX03F A	DP 2 D
SKX03F A	FH 2 B

REF	PAGE
SKX03F A	HE 3 C
SKX03F A	IB 1 D
SKX03F A	IC 1 D
SKX03F A	IH 3 B
SKX03F A	NA 0 D
SKX03F A	XB 4 D
SKX03F B	AE 3 D
SKX03F B	AH 1 E
SKX03F B	AJ 2 C
SKX03F B	BB 3 B
SKX03F B	EB 3 E
SKX03F B	EC 4 B
SKX03F B	EH 3 E
SKX03F B	FC 2 E
SKX03F B	FD 0 E
SKX03F B	FE 2 C
SKX03F B	FF 0 C
SKX03F B	XB 4 D
SKX03F C	AE 3 C
SKX03F C	BY 2 B
SKX03F C	CH 2 D
SKX03F C	DP 2 D
SKX03F C	EB 3 D
SKX03F C	EH 3 D
SKX03F C	FB 0 D
SKX03F C	GA 3 A
SKX03F C	GJ 2 D
SKX03F C	GK 0 C
SKX03F C	IG 1 D
SKX03F C	IR 1 E
SKX03F C	JH 1 B
SKX03F C	NA 2 D
sym588 438	AF 3 E
sym808 766	GH 2 C
sym812 766	GH 2 C
sym814 766	GH 1 C
sym816 766	GG 3 C
sym817 766	GG 3 C
sym819 766	GG 1 C
sym819 840	HK 1 A
sym822 840	HK 1 D
sym823 840	HK 3 A
sym825 840	HK 4 A
sym826 840	HK 4 A
sym827 840	HK 3 A
sym828 840	HK 4 A
TC01	MA 0 D
TC02	MA 2 D

REF	PAGE
TC03	MB 2 B
TC04	MB 2 C
TC05	MB 2 D
TC06	MB 3 C
TC07	MB 3 D
TC08	MB 0 D
TCBB02	MC 2 B
U01	AM 2 A
U01	AQ 2 A
U01	DB 0 E
V23	CA 3 B
V32	BB 3 D
X01F	AE 1 E
X01F	AL 0 C
X01F	AM 2 D
X01F	AN 1 D
X01F	HI 1 A
X01F	HJ 2 E
X01F	HL 3 E
X02	AE 2 C
X02	AL 1 B
X02	AN 1 C
X02	CC 4 D
X02	CL 3 B
X02	CN 4 B
X03	AE 2 D
X03	AL 1 C
X03	AN 2 D
X03	CB 1 D
X03E	EC 4 D
X07	IG 0 D
X07A	IG 1 D
X07B	IG 0 D
X07B.A	IG 2 C
X07C	IG 3 C
X07C.A	IG 2 C
X07D	IG 0 D
X07E	IG 2 C
X07F	IG 3 C
X07G	IG 4 D
X07K	IG 3 C
X11	AK 1 B
X11	CB 1 C
X11	CD 1 C
X11	XD 1 B
X11	XF 4 D
X11	XI 1 B
X11A	CL 1 D

REF	PAGE
X11A	XH 0 B
X17A	NA 1 C
X17A1	NA 1 D
X17B	NA 2 C
X17B1	NA 2 D
X17C	NA 3 C
X17C1	NA 3 D
X17D	NA 4 C
X18	AE 1 E
X18	AL 0 B
X18	AN 0 C
X18	HJ 3 E
X18	HL 3 E
X24	IG 3 E
X35	BB 4 B
X41	AA 1 A
X41	AB 0 A
X41	AQ 2 B
X41A	AA 0 B
X41A	AB 4 B
X41A	AQ 2 C
X45	CA 2 B
X62	ND 1 C
X62A	ND 2 B
X66A	IG 4 B
X66B	IG 4 C
X67	KE 3 B
X67	KL 4 B
X79	HE 2 B
X79	HF 1 D
X79	HG 3 B
X87	CP 4 D
X89	CP 0 C
X90	AL 4 A
X91	AL 4 B
X92	AL 4 D
X93	AL 2 E
X94	AL 1 E
X95	AL 0 E
X117	AQ 3 B
X137A	KE 2 C
X137A	KF 4 C
X137A	KG 3 D
X137A	KL 3 D
X137A	KM 4 C
X137A	KN 3 C
X137B	BE 2 E
X137B	BF 3 B

REF	PAGE
X137B	BJ 1 D
X145	KO 2 A
X146A	CP 2 D
X194	BJ 2 E
X197	CF 1 A
X197B	CG 1 A
X200A	IG 1 C
X200B	IG 1 D
X201A	JA 4 D
X203A	XA 0 B
X203B	XA 0 A
X203C	XA 3 A
X203D	XA 3 B
X204	IG 2 C
X205	IG 2 E
X210	AL 2 B
X210	AM 4 C
X214	JG 4 D
Y11	EC 1 B
Y12	EC 0 E
Y13	EC 1 A
Y14	EC 0 D
Y15	EC 2 D
Y16	EC 2 D
Y18A	DP 1 D
Y18B	DP 4 D
Y18G	DA 3 B
Y18G	DP 0 D
Y18H	DA 3 B
Y18H	DP 0 B
Y25A	EB 1 B
Y25A	EH 1 B
Y29	EH 2 B
Y29A	EB 2 B
Y30A	DA 4 C
Y35	CB 2 B
Y35	CC 2 A
Y35	CL 3 E
Y35	CN 0 B
Y35A	CN 1 B
Y35E	CC 2 A
Y35E	CL 3 D
Y42	HA 1 D
Y51	FA 3 C
Y53	CA 1 C
Y57A	ED 0 C
Y57B	EC 3 D
Y57C	ED 0 D

REF	PAGE
Y64	DE 1 B
Y81	CF 3 D
Y81	CG 3 D
Y81A	CP 1 C
Y100	ED 4 C
Y106	EC 3 D
Y195	FF 3 D
Z01	XB 1 C
Z03A	BH 0 C
Z03B	BH 2 B
Z03C	BM 2 E
Z03D	BM 4 E
Z03E	CC 3 A
Z04	BH 1 B
Z05	CH 3 D
Z05	FB 1 D
Z05	FC 3 D
Z05	FD 2 D
Z05	FE 2 D
Z05	FF 1 D
Z05	GQ 2 C
Z06	BA 2 A
Z06	BB 3 A
Z06	JA 4 B
Z10	XB 2 D
Z10	XJ 2 D
Z10CA	BH 2 D
Z10CB	BH 3 D
Z10FA	BH 2 D
Z10FB	BH 3 D
Z11	BH 3 D
Z13	GI 1 D
Z15	BH 1 E
Z16	BH 1 D
Z17	HC 1 D
Z17	HI 2 D
Z18	HC 1 D
Z18	HI 3 C
Z19	HC 2 D
Z19	HI 3 C
Z20	HC 2 D
Z20	HI 4 C
Z21	BE 2 C

**VOLVO**

Group Trucks Technology

Document title  
12V VOLVO CONVENTIONAL

Document type  
PRODUCT SCHEMATIC

Document No  
22622040

Issue  
05

Volume  
2 (2)

Page  
31 (43)

0

1

2

3

4

REFERENCES

REF	DESCRIPTION	PAGE
A03	Instrument cluster	BA 0 C
A03	Instrument cluster	BB 2 C
A03	Instrument cluster	GO 1 B
A03S	SECONDARY GAUGES	BA 0 D
A03V	Instrument cluster, Volvo	BA 0 D
A04A	Refrigerator	HE 0 B
A04A	Refrigerator	HG 2 B
A04B	REFRIGERATOR	HF 0 B
A05	Display, FMS (Fleet Management System)	BF 3 D
A11	Control unit, door lock	IF 1 B
A12B	CONTROL UNIT, ABS (ANTI-LOCK BRAKE SYSTEM	EC 0 C
A12B	CONTROL UNIT, ABS (ANTI-LOCK BRAKE SYSTEM	ED 0 A
A12B	CONTROL UNIT, ABS (ANTI-LOCK BRAKE SYSTEM	FG 2 C
A13B	TECU AMT-F	DA 3 D
A13E	Control unit, TECU (automatic transmissio	DA 2 B
A14B	Control Unit, EMS Cummins ISX	CC 1 B
A14B	Control Unit, EMS Cummins ISX	XE 1 C
A14C	CONTROL UNIT EMS CUMMINS ISX '16	CN 0 D
A14C	CONTROL UNIT EMS CUMMINS ISX '16	CP 0 E
A14C	CONTROL UNIT EMS CUMMINS ISX '16	XG 3 C
A15		JA 0 C
A15A	Control unit, SRS (Supplementary Restrai	JA 2 C
A16	Control unit, ECS (Electronic Controlled	EB 0 C
A16	Control unit, ECS (Electronic Controlled	EH 0 C
A17	Control unit, VECU (Vehicle ECU)	AG 1 C
A17	Control unit, VECU (Vehicle ECU)	AH 1 D
A17	Control unit, VECU (Vehicle ECU)	AI 0 A
A17	Control unit, VECU (Vehicle ECU)	AJ 2 C
A19E	SHIFT SELECTOR ALLISON	DF 0 E
A27	Control unit, LCM ( Light Control Module	GA 1 C
A27	Control unit, LCM ( Light Control Module	GB 1 C
A27	Control unit, LCM ( Light Control Module	GG 0 A
A27	Control unit, LCM ( Light Control Module	GK 0 B
A34	Control unit, climate unit	HA 2 B
A36	Control unit, BBM (Body Builder Module)	BM 1 C
A46	Control unit, LECM (Living Environment Co	HB 4 B
A46	Control unit, LECM (Living Environment Co	HD 2 A
A46	Control unit, LECM (Living Environment Co	HE 3 A
A46	Control unit, LECM (Living Environment Co	HF 3 A
A46	Control unit, LECM (Living Environment Co	HG 4 A
A46	Control unit, LECM (Living Environment Co	HK 5 B
A48	TV	KG 4 B
A48	TV	KN 2 B
A55A	EATON AUTO/ULTRA SHIFT GEN 3 ECU	DB 1 D
A56	Stereo amplifier	KG 0 C
A56	Stereo amplifier	KN 0 C
A57A	CONTROL UNIT ALLISON TRANS. GEN 4	DE 0 A
A57A	CONTROL UNIT ALLISON TRANS. GEN 4	DF 0 C
A58A	ALLISON TRANSMISSION	DE 0 D
A61A	BATTERY MONITOR, MIDTRONICS	HJ 4 C

REF	DESCRIPTION	PAGE
A61A	BATTERY MONITOR, MIDTRONICS	HL 5 C
A70A	PUSH BUTTON SHIFT CONTROL	DB 0 C
A72	LOW VOLTAGE DISCONNECT	AQ 2 C
A72	LOW VOLTAGE DISCONNECT	HB 1 D
A72	LOW VOLTAGE DISCONNECT	HK 2 D
A80	Airdryer, electrical controlled	FA 1 C
A109	Control unit, GSECU (Gearshift ECU)	DA 1 C
A131A	LVD, POWER SEPARATOR	HJ 4 B
A131A	LVD, POWER SEPARATOR	HL 5 B
A137	CONTROL MODULE, ACM (ADBLUE CONTROL MODUL	CF 0 C
A137	CONTROL MODULE, ACM (ADBLUE CONTROL MODUL	CG 0 C
A137	CONTROL MODULE, ACM (ADBLUE CONTROL MODUL	XF 3 B
A137	CONTROL MODULE, ACM (ADBLUE CONTROL MODUL	XI 3 B
A138	PUMP UNIT, ADBLUE	CF 2 E
A138	PUMP UNIT, ADBLUE	CG 2 E
A147	Control Unit, Fuel Filter Module	BP 2 D
A148	Control Unit, Heated Windshield	IB 2 C
A150	TGW2	BJ 1 D
A150	TGW2	KO 1 D
A158	Control unit, Audio	KD 2 C
A158	Control unit, Audio	KE 1 C
A158	Control unit, Audio	KF 2 B
A158	Control unit, Audio	KG 3 A
A170	Control panel, climate	HJ 0 B
A170	Control panel, climate	HL 1 B
A175	Control Unit, TESP, (Telematics Service P	BF 1 C
A175B	TMC 1226 TESP MATE	BF 1 D
A176	Control unit, LPOS, Lane Position and Obj	JG 2 B
A186	Control Unit, PCCU (Parking Cooler Contro	HJ 1 C
A186	Control Unit, PCCU (Parking Cooler Contro	HL 2 C
A225	FUSE HOLDER 4 FUSES	CN 3 A
A225B	FUSE HOLDER 4 FUSES	CL 3 A
A230	Display, SID Touch, Secondary Information	KO 3 C
A231	Control Unit, SEM, Services and Entertain	KL 3 D
A231	Control Unit, SEM, Services and Entertain	KM 2 C
A231	Control Unit, SEM, Services and Entertain	KN 3 A
A231	Control Unit, SEM, Services and Entertain	KO 2 B
A234	Control unit, FAS GW (Front Active Steeri	FH 1 A
A235	Control unit, FAS (Front Active Steering)	FH 2 D
A240	CONTROL UNIT TIRE PRESSURE MONITORING	FG 0 C
A240	CONTROL UNIT TIRE PRESSURE MONITORING	XD 3 B
A240	CONTROL UNIT TIRE PRESSURE MONITORING	XE 3 C
A240	CONTROL UNIT TIRE PRESSURE MONITORING	XF 2 B
A240	CONTROL UNIT TIRE PRESSURE MONITORING	XG 2 B
A240	CONTROL UNIT TIRE PRESSURE MONITORING	XH 2 D
A247	CONTROL UNIT TIRE PRESSURE RECEIVER	FG 2 A
A248	Control Unit, TABS6 (Pusher Anti-lock Bra	EE 1 C
A261	CONTROL UNIT TTU PEOPLENET	BF 1 D
A320	CONTROL UNIT CUMMINS ADEPT	BY 1 C
A374	Control Unit Seat SRS	JH 1 C

## REFERENCES

REF	DESCRIPTION	PAGE
A381DS	SEAT SUSPENSTION BOSE	IS 0 C
A381PS	SEAT SUSPENSTION BOSE	IS 2 C
B06	Sensor, air pressure, air tank	BA 2 D
B06A	Sensor, hydraulic pressure, retarder	BA 1 D
B06AP	SENSOR AIR PRESSURE BRAKE APPLICATION	BA 2 D
B06B	SENSOR, AIR PRESSURE A-TANK / REAR BRAK	BA 1 D
B07	SENSOR FUEL LEVEL	BA 3 D
B09A	SENSOR OIL TEMP GEARBOX	BA 3 D
B13	SENSOR WHEEL SPEED LH 1ST AXLE	EC 2 E
B14	SENSOR WHEEL SPEED RH 1ST AXLE	EC 1 E
B15	Sensor, wheel speed, lhs. 1:st driven re	EC 0 E
B16	Sensor, wheel speed, rhs. 1:st driven re	EC 4 D
B17	Sensor, wheel speed, lhs., 2:nd driven r	EC 1 D
B18	Sensor, wheel speed, rhs., 2:nd driven r	EC 2 D
B22A	Sensor, outdoor temperature (LHD)	BA 3 D
B22B	Sensor, outdoor temperature (RHD)	BA 3 D
B22C	SENSOR, AMBIENT AIR TEMP	CL 2 E
B22C	SENSOR, AMBIENT AIR TEMP	CN 3 C
B23A	Sensor, oil temperature, retarder	DE 3 D
B25A	SENSOR ACCELERATOR PEDAL	AI 4 B
B28L	Sensor, chassis level, front axle left	EB 1 E
B28L	Sensor, chassis level, front axle left	EH 1 E
B30A	SENSOR, CHASSIS LEVEL DRIVE AXLE	EB 2 E
B30A	SENSOR, CHASSIS LEVEL DRIVE AXLE	EH 2 E
B39	SENSOR AIR RESTRICTION	BB 3 B
B49	SENSOR, STEERING ANGLE	ED 1 D
B50	SENSOR, YAW-RATE ESP	ED 2 D
B55A	SENSOR, AIR PRESSURE, SUSPENSION BELLOWS,	EB 0 D
B55A	SENSOR, AIR PRESSURE, SUSPENSION BELLOWS,	EH 0 D
B55B	SENSOR, AIR PRES. SUSP. BELLOWS AUX. AXLE	EH 0 D
B56	Sensor, air pressure, suspension bellows	BA 1 D
B58A	SENSOR, AIR PRESSURE, SUSPENSION BELLOWS,	EB 1 D
B58A	SENSOR, AIR PRESSURE, SUSPENSION BELLOWS,	EH 1 D
B58R	SENSOR AIR PRESSURE REAR SUSPENSION	BA 2 D
B59	Sensor, Indoor Temp.	HA 2 B
B60A	SPEAKER LEFT DASH	KE 2 D
B60A	SPEAKER LEFT DASH	KF 4 E
B60A	SPEAKER LEFT DASH	KG 1 D
B60A	SPEAKER LEFT DASH	KL 0 E
B60A	SPEAKER LEFT DASH	KM 4 E
B60A	SPEAKER LEFT DASH	KN 1 D
B60B	SPEAKER RIGHT DASH	KE 1 D
B60B	SPEAKER RIGHT DASH	KF 2 E
B60B	SPEAKER RIGHT DASH	KG 1 D
B60B	SPEAKER RIGHT DASH	KL 2 E
B60B	SPEAKER RIGHT DASH	KM 2 E
B60B	SPEAKER RIGHT DASH	KN 2 E
B60C	SPEAKER LEFT DOOR	KE 0 D
B60C	SPEAKER LEFT DOOR	KG 0 D
B60C	SPEAKER LEFT DOOR	KL 3 E

REF	DESCRIPTION	PAGE
B60C	SPEAKER LEFT DOOR	KN 0 E
B60CA	SPEAKER, LEFT DOOR COMBO	KF 4 D
B60CA	SPEAKER, LEFT DOOR COMBO	KM 4 E
B60D	SPEAKER RIGHT DOOR	KE 0 D
B60D	SPEAKER RIGHT DOOR	KG 0 D
B60D	SPEAKER RIGHT DOOR	KL 3 E
B60D	SPEAKER RIGHT DOOR	KN 0 E
B60DA	SPEAKER, RIGHT DOOR COMBO	KF 3 E
B60DA	SPEAKER, RIGHT DOOR COMBO	KM 2 E
B60E	SPEAKER LEFT UPPER	KF 0 D
B60E	SPEAKER LEFT UPPER	KM 0 E
B60F	SPEAKER RIGHT UPPER	KF 0 D
B60F	SPEAKER RIGHT UPPER	KM 0 E
B60G	SPEAKER LEFT LOWER	KG 2 D
B60G	SPEAKER LEFT LOWER	KN 3 E
B60H	SPEAKER RIGHT LOWER	KG 3 D
B60H	SPEAKER RIGHT LOWER	KN 3 E
B60I	SPEAKER SUBWOOFER	KG 3 D
B60I	SPEAKER SUBWOOFER	KN 3 E
B60J	SPEAKER LEFT UPPER	KF 1 D
B60J	SPEAKER LEFT UPPER	KM 1 E
B60K	SPEAKER RIGHT UPPER	KF 1 D
B60K	SPEAKER RIGHT UPPER	KM 1 E
B60L	Speaker Rear Wall Left	KF 0 B
B60LR H2	SPEAKER LEFT REAR	KM 0 B
B60LR H4	SPEAKER LEFT REAR	KM 0 C
B60M	Speaker Rear Wall Right	KF 0 B
B60N	SPEAKER, LEFT UPPER	KG 4 D
B60N	SPEAKER, LEFT UPPER	KN 4 C
B60P	SPEAKER, RIGHT UPPER	KG 4 D
B60P	SPEAKER, RIGHT UPPER	KN 4 C
B60RR H2	SPEAKER RIGHT REAR	KM 1 B
B60RR H4	SPEAKER RIGHT REAR	KM 1 C
B61B	TWEETER RIGHT DASH	KE 1 D
B61B	TWEETER RIGHT DASH	KF 2 E
B61B	TWEETER RIGHT DASH	KG 2 D
B61B	TWEETER RIGHT DASH	KL 3 E
B61B	TWEETER RIGHT DASH	KM 2 E
B61B	TWEETER RIGHT DASH	KN 1 E
B61L D	TWEETER LEFT DASH	KE 2 E
B61L D	TWEETER LEFT DASH	KF 3 E
B61L D	TWEETER LEFT DASH	KG 0 D
B61L D	TWEETER LEFT DASH	KL 0 E
B61L D	TWEETER LEFT DASH	KM 3 E
B61L D	TWEETER LEFT DASH	KN 0 D
B62	Loudspeaker, (handsfree)	KG 4 C
B62	Loudspeaker, (handsfree)	KN 3 A
B63	Microphone, (handsfree)	KD 2 B
B63	Microphone, (handsfree)	KG 3 B
B63	Microphone, (handsfree)	KN 4 B

## REFERENCES

REF	DESCRIPTION	PAGE
B67	Rear view camera	KO 2 D
B68	Sensor, output shaft speed, gearbox	AI 0 C
B68	Sensor, output shaft speed, gearbox	CL 1 B
B68	Sensor, output shaft speed, gearbox	CN 2 C
B68 B	Sensor, output shaft speed, gearbox	AI 1 C
B70	Sensor, wheel speed, lhs. pusher axle	EE 1 D
B71	Sensor, wheel speed, rhs. pusher axle	EE 2 D
B80	SENSOR, ETHER START	CA 1 B
B82A	SENSOR, ACC RADAR FLR-20	JE 1 D
B121	Sensor, Low level washer fluid	GP 3 B
B122A	SENSOR EXHAUST TEMP. CATALYST	CL 2 B
B122B	SENSOR CATALYST OUTLET TEMP. 2	CL 2 E
B123	SENSOR LOW COOLANT	CB 2 D
B123A	SENSOR, LOW COOLANT	CB 3 D
B123B	SENSOR, LOW COOLANT	CC 1 D
B123B	SENSOR, LOW COOLANT	CN 0 C
B123C	SENSOR LOW COOLANT	CL 2 E
B124RC	SENSOR OIL TEM RC AXLE	BB 5 B
B124RF	SENSOR OIL TEM RF AXLE	BB 5 C
B124RR	SENSOR OIL TEM RR AXLE	BB 5 C
B142C	Sensor, AdBlue level and temperature	CF 1 B
B142C	Sensor, AdBlue level and temperature	CG 1 A
B142C	Sensor, AdBlue level and temperature	CP 3 A
B152	SENSOR, BRAKE AIRPRESSURE, FRONT	ED 3 C
B153	SENSOR, BRAKE AIRPRESSURE, REAR	ED 3 C
B164L	Loudspeaker, left	BB 4 D
B164L	Loudspeaker, left	KE 2 D
B164L	Loudspeaker, left	KF 3 D
B164L	Loudspeaker, left	KG 1 E
B164L	Loudspeaker, left	KL 0 D
B164L	Loudspeaker, left	KM 3 E
B164L	Loudspeaker, left	KN 1 E
B164R	Loudspeaker, right	BB 4 E
B164R	Loudspeaker, right	KE 1 D
B164R	Loudspeaker, right	KF 1 D
B164R	Loudspeaker, right	KG 2 D
B164R	Loudspeaker, right	KL 1 E
B164R	Loudspeaker, right	KM 2 D
B164R	Loudspeaker, right	KN 2 E
B168	QUALCOMM LOUDSPEAKER	BE 3 C
B177	SENSOR AIR PRESSURE, SUSPENSION BELLOWS,	ED 3 C
B185A	SENSOR OXYGEN OUTLET EGO	CL 1 D
B191	Sensor, assembly, DPF temp, pressure, NOX	CD 4 A
B206	SENSOR ASSEMBLY DPF, TEMP, PRESSURE	CC 2 D
B235	Sensor, LCS (Lane Change Support with Fa	JF 1 C
B243	Sensor, rain	GB 3 B
B300B	METHANE SENSOR ENGINE	CM 4 D
B319	SENSOR ALARM CO	CM 1 E
E05A	5TH WHEEL LAMP	GG 1 C
E05A	5TH WHEEL LAMP	GH 2 C

REF	DESCRIPTION	PAGE
E05B	5:TH WHEEL LAMP HIGH	GH 0 C
E05C	5TH WHEEL LAMP,DUAL	GG 2 C
E05C	5TH WHEEL LAMP,DUAL	GH 0 C
E05D	5TH WHEEL LAMP,DUAL	GG 2 C
E05D	5TH WHEEL LAMP,DUAL	GH 1 C
E05G	LAMPS, FUEL GANTRY	GG 2 A
E05J	LAMP 5TH WHEEL	GG 3 C
E05J	LAMP 5TH WHEEL	GH 3 C
E05K	5TH WHEEL LAMP	GG 1 C
E05K	5TH WHEEL LAMP	GH 1 C
E05L	LAMP 5TH WHEEL	GG 4 C
E05L	LAMP 5TH WHEEL	GH 3 C
E06LED	LAMP LED BACKUP	GK 2 E
E07L	Lamp, fog light, left	GE 2 C
E07R	Lamp, fog light, right	GE 2 C
E08L	Lamp, parking light, front, left	GE 2 C
E08R	Lamp, parking light, front, right	GE 2 C
E10	LAMP, TAIL LIGHT	GF 3 B
E10L	LAMP TAIL LIGHT LEFT	GF 3 D
E10R	LAMP TAIL LIGHT RIGHT	GF 4 D
E11L	LAMP, SIDE REPEATER D.S.	GA 2 D
E11L	LAMP, SIDE REPEATER D.S.	IE 2 C
E11LF	Lamp, side marker light, left front	GD 3 B
E11R	Lamp, Side Repeater	GA 2 D
E11R	Lamp, Side Repeater	IE 2 C
E11R1	LAMP MARKER RIGHT SIDE	GA 0 C
E11RF	Lamp, side marker light, right front	GD 3 B
E12A	LAMP MARKER	GC 1 D
E12B	LAMP MARKER	GC 1 D
E12C	LAMP MARKER	GC 2 D
E12D	LAMP MARKER	GC 2 D
E12E	LAMP MARKER	GC 2 D
E14L	WARNING LAMP SNOWPLOW	GJ 1 D
E14R	WARNING LAMP SNOWPLOW	GJ 1 D
E16L	Lamp, Door instep light, left	IA 1 D
E16R	Lamp, Door instep light, right	IA 1 E
E17C	LAMP FLOURESCENT	HG 4 D
E17C H2	LAMP FLOURESCENT	HD 1 C
E17C H2	LAMP FLOURESCENT	HF 2 C
E17C H4	LAMP FLOURESCENT	HD 2 C
E17C H4	LAMP FLOURESCENT	HF 3 C
E17D	LAMP, WORKCENTRE FLUORESCENT	HE 3 C
E17D	LAMP, WORKCENTRE FLUORESCENT	HG 4 B
E17L	Lamp, interior light	IA 0 B
E17R	Lamp, interior light	IA 0 B
E18M	LAMP, UPPER D.S.	HD 1 C
E18M	LAMP, UPPER D.S.	HF 1 C
E22A	LAMP, ROOF SIGN ILLUMINATION	GC 0 D
E22B	LAMP, ROOF SIGN ILLUMINATION	GC 0 D
E22C	LAMP, ROOF SIGN ILLUMINATION	GC 0 D

## REFERENCES

REF	DESCRIPTION	PAGE
E23C A	LAMP, LUGGAGE D.S.	HD 2 C
E23C A	LAMP, LUGGAGE D.S.	HF 2 B
E23C A	LAMP, LUGGAGE D.S.	HG 5 C
E23PS	LAMP LUGGAGE P S	HD 3 C
E23PS	LAMP LUGGAGE P S	HF 3 B
E23PS	LAMP LUGGAGE P S	HG 5 C
E24	Lamp, storage tray illumination	IA 4 C
E26L	Headlight module, left	GD 0 D
E26L_1	Lamp, Headlamp Module	GD 3 D
E26R	Headlight module, right	GD 2 D
E26R_1	Lamp, Headlamp Module	GD 4 D
E26VL	Headlight module, VTC, left	GD 0 C
E26VR	Headlight module, VTC, right	GD 1 C
E28A	PARK HEATER AUX AC	HJ 0 C
E28A	PARK HEATER AUX AC	HL 1 C
E32	HVAC UNIT	HB 3 D
E32	HVAC UNIT	HK 4 D
E35	HVAC Unit, Heat, Ventilation and Air Cond	HA 2 D
E36A	LAMP, SUNVISOR	GC 3 D
E36B	LAMP, SUNVISOR	GC 3 D
E36C	LAMP, SUNVISOR	GC 3 D
E36D	LAMP, SUNVISOR	GC 4 D
E36E	LAMP, SUNVISOR	GC 4 D
E37	Lamp, LECM panel	HG 3 B
E39	LAMP, LICENSE PLATE ILLUMINATION	GF 2 C
E43L	LAMP DRIVING FOG D S	GE 0 C
E43R	Lamp, Driving/Fog	GE 1 C
E53R	Lamp, Red lighting, right	HE 4 E
E55L	Lamp, Extra high beam, Left	GE 4 C
E55R	Lamp, Extra high beam, Right	GE 4 C
E81A	UNDER CAB EXT. LAMP	IH 0 D
E81B	UNDER CAB EXT. LAMP	IH 0 D
E81C	UNDER CAB EXT. LAMP	IH 1 D
E81D	UNDER CAB EXT. LAMP	IH 1 D
E81E	UNDER CAB EXT. LAMP	IH 1 D
E81F	UNDER CAB EXT. LAMP	IH 1 D
E81G	UNDER CAB EXT. LAMP	IH 2 D
E81H	UNDER CAB EXT. LAMP	IH 2 D
E81J	UNDER CAB EXT. LAMP	IH 2 D
E81K	UNDER CAB EXT. LAMP	IH 3 D
E82A	PARKING HEATER	HB 4 D
E82A	PARKING HEATER	HK 5 D
E91DS	Lamp, interior light, door	IA 0 D
E91PS	Lamp, interior light, door	IA 0 E
E109L	Lamp, door trim list, light guides, left	IA 0 D
E109R	Lamp, door trim list, light guides, right	IA 0 E
E110	Lamp, interior light, cup holder light	IA 4 C
E111	LED Module, Forward Collision Warning	BB 3 D
E123L	Lamp, front fog light, left	GE 3 C
E123R	Lamp, front fog light, right	GE 4 C

REF	DESCRIPTION	PAGE
E130L	Lamp, Door Instep Lamp, left	IA 1 D
E130R	Lamp, Door Instep Lamp, right	IA 1 E
E147A	UNDER CAB EXT LAMP	IH 0 B
E147B	UNDER CAB EXT LAMP	IH 1 B
E147C	UNDER CAB EXT LAMP	IH 1 B
E147D	UNDER CAB EXT LAMP	IH 1 B
E147E	UNDER CAB EXT LAMP	IH 1 B
E147F	UNDER CAB EXT LAMP	IH 2 B
E147J	UNDER CAB EXT LAMP	IH 2 B
E147K	UNDER CAB EXT LAMP	IH 2 B
E147L	UNDER CAB EXT LAMP	IH 2 B
E147M	UNDER CAB EXT LAMP	IH 3 B
E148A	LAMP LOWER D S	HD 2 D
E148A	LAMP LOWER D S	HF 3 D
E148B	LAMP UNDER CABINET D S	HD 4 C
E148B	LAMP UNDER CABINET D S	HF 4 C
E148C	LAMP UPPER D S	HG 3 B
E148D	LAMP UPPER P S	HG 3 B
E148E	LAMP LOWER D S	HE 2 C
E148E	LAMP LOWER D S	HG 3 C
E148F	LAMP LAMP P S	HE 2 C
E148F	LAMP LAMP P S	HG 4 C
E148G	LAMP UPPER P S	HF 2 D
E148H	LAMP UPPER D S	HF 2 D
E148J	LAMP LOWER D S	HD 3 D
E149	LAMP TABLE	HD 3 D
E149	LAMP TABLE	HF 3 D
earth24_71		BL 4 B
earth33_672		BL 4 C
F01	RH WINDOW/ MIRR.	AB 4 D
F01	RH WINDOW/ MIRR.	IC 3 A
F02	HVAC	AB 4 D
F02	HVAC	HA 0 A
F03	HEATED SEATS	AB 4 D
F03	HEATED SEATS	IR 2 A
F04	RADIO	AB 3 D
F04	RADIO	KE 1 A
F04	RADIO	KF 2 A
F04	RADIO	KG 1 A
F04	RADIO	KL 1 A
F04	RADIO	KM 2 A
F04	RADIO	KN 1 A
F05	LECM4	AA 0 C
F05	LECM4	HB 3 A
F06	RH SLEEPER SOCKETS	AA 0 C
F06	RH SLEEPER SOCKETS	IG 2 A
F07	LH SLEEPER SOCKETS	AA 0 C
F07	LH SLEEPER SOCKETS	IG 3 A
F08	AUX SW 1 & 2 / BRIGHTWORK	AA 1 C
F08	AUX SW 1 & 2 / BRIGHTWORK	NA 1 A

## REFERENCES

REF	DESCRIPTION	PAGE
F09	USB CHARGE PORTS	AA 1 C
F09	USB CHARGE PORTS	IG 4 A
F10	CUST. LVD2	AA 1 C
F10	CUST. LVD2	AQ 3 A
F11	OPEN	AB 3 D
F12	DASH SOCKETS	AB 3 D
F12	DASH SOCKETS	IG 0 A
F13	LH WINDOW/ MIRR.	AB 3 D
F13	LH WINDOW/ MIRR.	IC 1 A
F14	OPEN	AB 4 D
F15	LECM1	AA 1 C
F15	LECM1	HB 2 A
F16	O-H SOCKET	AA 2 C
F16	O-H SOCKET	IG 1 A
F17	AUX . SW ES 3 & 4	AA 2 C
F17	AUX . SW ES 3 & 4	NA 3 A
F18	LECM HVAC FAN	AA 2 C
F18	LECM HVAC FAN	HB 3 A
F19	ROOF SIGN/ BBM	AA 2 C
F19	ROOF SIGN/ BBM	BH 0 A
F19	ROOF SIGN/ BBM	GC 1 B
F20	HORN	AA 0 A
F20	HORN	GQ 1 A
F21	QUAL COMM	AB 3 B
F21	QUAL COMM	BE 3 B
F22	CB POWER STUDS	AA 3 C
F22	CB POWER STUDS	IG 1 A
F23	CUST. IGN3	AB 0 C
F23	CUST. IGN3	AQ 4 A
F24	OPEN P. S. SEAT SUSPENSION	AA 3 C
F24	OPEN P. S. SEAT SUSPENSION	IS 2 B
F25	DCP OPEN TGW	AB 3 D
F26	DOME/ DOOR INT LAMPS	AA 3 C
F26	DOME/ DOOR INT LAMPS	IA 1 A
F26	DOME/ DOOR INT LAMPS	IH 4 A
F27	LCM3	AA 0 A
F27	LCM3	GB 2 A
F28	CUST. LVD1	AA 3 C
F28	CUST. LVD1	AQ 3 A
F29	EFRC	AA 2 D
F29	EFRC	AC 2 A
F30	ULTRA SHIFT	AB 3 B
F30	ULTRA SHIFT	DB 3 B
F31	CUMMINS IGN 1	AB 3 B
F31	CUMMINS IGN 1	BY 1 B
F31	CUMMINS IGN 1	CC 3 A
F31	CUMMINS IGN 1	CL 0 B
F31	CUMMINS IGN 1	CN 2 C
F32	CUST. IGN1	AB 1 C
F32	CUST. IGN1	AQ 4 A

REF	DESCRIPTION	PAGE
F33	AIR SOL/SW	AB 2 C
F33	AIR SOL/SW	BA 3 A
F33	AIR SOL/SW	FC 1 A
F33	AIR SOL/SW	FD 2 A
F33	AIR SOL/SW	FF 1 A
F34	OPEN	AB 0 C
F35	BB IGN-X	AB 3 C
F35	BB IGN-X	BH 0 A
F36	MOBILEMAX/ PEOPLENET QUALCOM/ QUALCOMM TE	AB 1 C
F36	MOBILEMAX/ PEOPLENET QUALCOM/ QUALCOMM TE	BE 2 A
F36	MOBILEMAX/ PEOPLENET QUALCOM/ QUALCOMM TE	BF 2 A
F36	MOBILEMAX/ PEOPLENET QUALCOM/ QUALCOMM TE	BJ 1 A
F37	FUME DETECTOR	AB 2 C
F37	FUME DETECTOR	CM 0 A
F38	LECM / AUX AC	AB 2 C
F38	LECM / AUX AC	HB 3 A
F38	LECM / AUX AC	IS 1 B
F39	VDS	AA 2 D
F39	VDS	FH 1 A
F40	LCP.LCM/ CLU	AA 2 D
F40	LCP.LCM/ CLU	GA 1 A
F41	ABS	AA 0 A
F41	ABS	EC 2 A
F42	DISPLAY OPEN TTU	AA 0 A
F42	DISPLAY OPEN TTU	BF 1 A
F43	LECM2	AA 0 A
F43	LECM2	HB 2 A
F44	KEY SW.	AA 1 A
F44	KEY SW.	AQ 1 A
F45	IC OPEN	AB 3 B
F46	BB IGN/ CAMERA PREP	AB 0 C
F46	BB IGN/ CAMERA PREP	BH 1 A
F47	BB IGN-Y	AB 3 C
F47	BB IGN-Y	BH 1 A
F48	HEATED WINDSHIELD	AB 1 C
F48	HEATED WINDSHIELD	IB 2 A
F49	REVERSE LAMPS/ LIFT AXLES	AB 2 C
F49	REVERSE LAMPS/ LIFT AXLES	GK 1 A
F50	I-SHIFT TECU	AA 2 B
F50	I-SHIFT TECU	DA 0 B
F51	I-SHIFT GECU	AA 2 B
F51	I-SHIFT GECU	DA 1 B
F52	IC	AA 1 A
F52	IC	BA 0 A
F53	BBM BBM/ IC	AB 1 B
F53	BBM BBM/ IC	AG 0 B
F53	BBM BBM/ IC	BA 0 A
F54	TRANS	AB 1 B
F54	TRANS	AG 0 B
F54	TRANS	AK 1 A

## REFERENCES

REF	DESCRIPTION	PAGE
F54	TRANS	DA 1 A
F54	TRANS	DF 1 A
F55	OPEN	AA 2 D
F56	BENDIX FUSION	AA 2 D
F56	BENDIX FUSION	JG 0 B
F57	SNOW PLOW LAMPS LH	AA 3 D
F57	SNOW PLOW LAMPS LH	GI 2 A
F58	SNOW PLOW LAMPS RH	AA 3 D
F58	SNOW PLOW LAMPS RH	GI 1 A
F59	SEAT SRS	AA 3 D
F59	SEAT SRS	JH 1 A
F60	HVAC FAN	AA 1 A
F60	HVAC FAN	HA 0 A
F61	LVD SENS/ VENDOR TTU	AA 1 A
F61	LVD SENS/ VENDOR TTU	BE 2 A
F61	LVD SENS/ VENDOR TTU	BF 1 A
F61	LVD SENS/ VENDOR TTU	BY 1 A
F62	OPEN	AB 0 C
F63	CUST. IGN2	AB 0 C
F63	CUST. IGN2	AQ 4 A
F64	OPEN	AB 1 C
F65	OPEN	AB 1 C
F66	I-SHIFT	AA 2 A
F66	I-SHIFT	DA 0 A
F67	OPEN	AA 2 A
F68	RADIO	AA 2 A
F68	RADIO	KE 1 A
F68	RADIO	KF 2 A
F68	RADIO	KG 1 A
F68	RADIO	KL 1 A
F68	RADIO	KM 2 A
F68	RADIO	KN 1 A
F69	VECU/ENG BRK SW	AB 1 B
F69	VECU/ENG BRK SW	AG 0 B
F70	PTO	AB 1 B
F70	PTO	BM 1 A
F70	PTO	DP 2 A
F71	OPEN	AA 2 A
F72	SRS	AA 3 D
F72	SRS	JA 3 A
F73	ACC / SIDE SENSE ECS	AA 3 D
F73	ACC / SIDE SENSE ECS	EB 3 A
F73	ACC / SIDE SENSE ECS	EH 3 A
F73	ACC / SIDE SENSE ECS	JE 1 A
F74	IGN TABS6	AA 4 D
F74	IGN TABS6	EE 1 A
F75	WIPER	AA 4 D
F75	WIPER	GP 0 A
F76	DS OPEN SEAT SUSPENSION	AA 2 A
F76	DS OPEN SEAT SUSPENSION	IS 0 B

REF	DESCRIPTION	PAGE
F77	BENDIX FUSION	AA 2 A
F77	BENDIX FUSION	JG 0 A
F78	LCM2	AA 3 A
F78	LCM2	GB 2 B
F79	LCM4	AA 3 A
F79	LCM4	GB 2 B
F80	DIAGNOSTIC CONN	AA 3 A
F80	DIAGNOSTIC CONN	XB 2 A
F80	DIAGNOSTIC CONN	XJ 3 B
F81	LCM1	AA 3 A
F81	LCM1	GB 2 A
F82	LCM6	AA 3 A
F82	LCM6	GB 2 A
F83	LCM5	AA 4 A
F83	LCM5	GB 2 B
F84	POWER DOOR LOCKS	AA 4 A
F84	POWER DOOR LOCKS	IF 2 A
F85	TGW	AA 4 A
F85	TGW	BJ 1 A
F86	ECS/ BEACON LAMPS	AA 4 A
F86	ECS/ BEACON LAMPS	EB 4 A
F86	ECS/ BEACON LAMPS	EH 4 A
F86	ECS/ BEACON LAMPS	GJ 1 A
F87	CUST. BAT1	AA 4 A
F87	CUST. BAT1	AQ 3 A
FB8	FUSE REMOTE SENSE ALT.	AM 0 D
FB08	FUSE METHANE DETECTION L.H. BBOX	CM 4 B
FB09	FUSE INVERTER	HI 1 B
FE1	TRAILER STOP RELAY	AC 0 B
FE1	TRAILER STOP RELAY	MA 1 A
FE2	RELAY TRAILER CLEARANCE	AC 1 B
FE2	RELAY TRAILER CLEARANCE	MA 1 A
FE3	RELAY TRAILER MARKER	AC 1 B
FE3	RELAY TRAILER MARKER	MA 2 A
FE4	EMS MAIN VOLVO/ CUMMINS	AC 1 C
FE4	EMS MAIN VOLVO/ CUMMINS	AG 2 B
FE5	ACM EMS	AC 2 C
FE5	ACM EMS	AG 3 A
FE5	ACM EMS	BP 2 A
FE6	VECU/ WATER IN FUEL SW/ ENG. BRAKE	AC 2 C
FE7	OPEN	AC 2 C
FE8	EMS COM 1	AC 2 C
FE8	EMS COM 1	AG 3 A
FE9	EMS COMP 2	AC 3 C
FE9	EMS COMP 2	AG 4 A
FE10	TRAILER AUX/ABS	AC 3 C
FE10	TRAILER AUX/ABS	MA 3 A
FE11	ABS IGN	AC 3 C
FE11	ABS IGN	EC 2 A
FE12	FUEL HEAT	AC 3 C

## REFERENCES

REF	DESCRIPTION	PAGE
FE12	FUEL HEAT	CE 2 A
FE13	AIR DRYER	AC 3 C
FE13	AIR DRYER	FA 2 A
FE14	TPM	AC 4 C
FE14	TPM	FG 0 A
FE15	LNG FAN	AC 4 C
FE16	FAN FUEL COOLER	AC 4 C
FE17	BRK CES/ LNG/ SPARE	AD 0 B
FE17	BRK CES/ LNG/ SPARE	CP 3 A
FE18	CUMMINS EXPORT ISX ISX-G ISX/	AD 0 B
FE18	CUMMINS EXPORT ISX ISX-G ISX/	CC 4 A
FE19	AUTO TRANS: ALLISON/ EATON	AD 1 B
FE19	AUTO TRANS: ALLISON/ EATON	DB 3 B
FE19	AUTO TRANS: ALLISON/ EATON	DF 0 A
FE20	TRAILER LEFT TURN	AD 1 B
FE20	TRAILER LEFT TURN	MA 3 B
FE21	TRAILER RIGHT TURN	AD 1 B
FE21	TRAILER RIGHT TURN	MA 3 B
FE22	SPARE	AD 1 B
FE23	SPARE	AD 2 B
FE24	VDS	AD 2 B
FE24	VDS	FH 0 A
FE25	UREA HEATED LINES	AD 0 B
FE25	UREA HEATED LINES	CP 1 A
FEM01	FUSE MAIN POWER	AM 2 A
FEM01	FUSE MAIN POWER	AQ 2 A
FEM02	FUSE, GROUND PROTECTION	AN 2 C
FEM03A	CIRCUIT BREAKER LIFT GATE	ND 1 D
FEM03B	CIRCUIT BREAKER LIFT GATE	ND 2 D
FFB06A	AUX BATT TO PARK HTR	HJ 2 B
FFB06A	AUX BATT TO PARK HTR	HL 3 B
FFB07A	AUX BATT TO BATT MONITOR	HJ 3 B
FFB07A	AUX BATT TO BATT MONITOR	HL 4 B
FFB08A	FUSE, INLINE LVD TO BATTERY MONITOR	HJ 3 B
FFB08A	FUSE, INLINE LVD TO BATTERY MONITOR	HL 4 B
FM08A	TRUCK BATT TO BATT MONITOR FUSE	HJ 4 D
FM08A	TRUCK BATT TO BATT MONITOR FUSE	HL 4 D
FM A5	FUSE AUX AC	HJ 2 B
FM A5	FUSE AUX AC	HL 3 B
FRS		AM 0 D
FT01	FUSE ACM	CF 0 B
FT01	FUSE ACM	CG 0 B
FT02	Fuse Clutch Power	DB 0 D
FT03	FUSE DISCONNECT SOLENOID	AM 2 E
FT04	FUSE DISCONNECT SWITCH	AM 3 E
G01	Battery	AE 0 E
G01	Battery	AF 2 D
G01	Battery	AL 0 C
G01	Battery	AM 1 D
G01	Battery	AN 0 D

REF	DESCRIPTION	PAGE
G01	Battery	AQ 3 B
G01	Battery	CF 0 B
G01	Battery	CG 0 B
G01	Battery	CL 4 A
G01	Battery	CN 4 B
G01	Battery	HI 1 B
G01	Battery	HJ 4 E
G01	Battery	HL 5 E
G01	Battery	ND 1 D
G01B	Battery Ring Battery 2	BL 2 B
G01C	Battery Ring Battery 3	BL 1 C
G01D	Battery 4	BL 1 D
G01E	BATTERY 1	BL 1 B
G01F	Battery	HJ 2 C
G01F	Battery	HL 3 C
G02	Alternator	AE 2 A
G02	Alternator	AF 2 C
G02	Alternator	AL 1 A
G02	Alternator	AM 1 B
G02	Alternator	AN 1 A
G03H	INVERTER, 12VDC - 120VAC	HI 0 B
G04	POWER DISTRIBUTION UNIT, 120VAC	HC 1 B
G04	POWER DISTRIBUTION UNIT, 120VAC	HI 2 B
H02A	HORN DUAL TONE 1	GQ 1 D
H02A S	CITY HORN SERVICE	GQ 4 E
H03	BACKUP ALARM	GF 3 D
H03	BACKUP ALARM	GK 3 E
H16	METHANE FUME DETECTOR	CM 1 B
H17	METHANE DETECTION STATUS	CM 3 B
L E10LED	LH LED TAIL LAMP	GF 0 C
M01	WINDSHIELD WIPER MOTOR	GP 2 D
M02A	Windscreen washer pump VN	GP 3 B
M04	Motor, starter motor	AE 1 B
M04	Motor, starter motor	AF 2 A
M04	Motor, starter motor	AK 2 B
M04	Motor, starter motor	AL 0 A
M04	Motor, starter motor	AM 0 A
M04	Motor, starter motor	AN 0 B
M04	Motor, starter motor	BP 3 B
M04A	MOTOR STARTER TC	AF 3 A
M04B	MOTOR STARTER CUMMINS	AM 1 A
M06DS	Motor, Window Winder D.S.	IC 2 A
M06PS	Motor, Window Winder P.S.	IC 3 A
M41	Motor Pump, Urea	CN 2 C
M55	Condensor Fan, Parking Cooler	HJ 1 D
M55	Condensor Fan, Parking Cooler	HL 1 D
M105DS	DOOR LOCK CONT ASSY D S	IA 3 D
M105DS	DOOR LOCK CONT ASSY D S	IF 1 D
M105PS	DOOR LOCK CONT ASSY P S	IA 3 D
M105PS	DOOR LOCK CONT ASSY P S	IF 2 D



REFERENCES

REF	DESCRIPTION	PAGE
M106DS	MIRROR MOTORS/ HEATERS D S	IE 1 C
M106PS	MIRROR MOTORS/ HEATERS P S	IE 3 C
M110L	Mirror Motors & Heater, LHS	IC 0 B
M110R	Mirror Motors & Heater, RHS	IC 4 B
OBD		XB 1 B
OBD-II	ON-BOARD-DIAGNOSTICS VENDEND	XB 3 D
OBD-II	ON-BOARD-DIAGNOSTICS VENDEND	XJ 3 D
P03	INVERTER DISPLAY	HI 0 C
R01A	Heater Engine Preheat 110V	CA 2 D
R05A	AIR DRYER	FA 2 C
R05C	AIR DRYER	FA 3 C
R08	Termination resistor, CAN-bus	XE 4 B
R08	Termination resistor, CAN-bus	XG 4 A
R08	Termination resistor, CAN-bus	XH 4 C
R08B	TERM RESISTOR	BF 2 A
R08C	TERMINATING RESISTOR	XC 4 C
R08H	TERMINATING RESISTOR	BA 1 A
R08I	TERMINATING RESISTOR	CP 2 B
R08M	TERMINATING RESISTOR CAN-BUS	XA 0 C
R09	Heater, fuel filter	CE 2 C
R09B	HEATER, FUEL FILTER	CE 2 C
R15	Windscreen heater	IB 2 D
R21	Termination resistor	XA 4 D
R21	Termination resistor	XJ 3 B
R21A	TERM RESISTOR	XB 1 D
R21A	TERM RESISTOR	XJ 1 D
R21B	TERMINATING RESISTOR DL10	XJ 0 B
R29	Heater, NOxCare tank to pump hose	CP 1 C
R29A	Heater, fuel filter	CF 4 E
R29A	Heater, fuel filter	CG 4 E
R30	Heater, fuel filter	CP 2 C
R31	Heater, NOxCare pump to injector hose	CP 1 C
R31A	HEATER UREA HOSE	CF 3 E
R31A	HEATER UREA HOSE	CG 4 E
R58L	Heater, rear-view mirror	IC 0 D
R58R	Heater, rear-view mirror	IC 4 D
R91	VDS CAN Termination	FH 2 D
R92L	HEATED SEAT LEFT	IR 2 D
R92R	HEATED SEAT RIGHT	IR 2 D
R_E10LED	RH LED TAIL LAMP	GF 1 C
RE01	RELAY, TRAILER STOP	AC 0 C
RE01	RELAY, TRAILER STOP	MA 0 B
RE02	RELAY TRAILER CLEARANCE	AC 1 C
RE02	RELAY TRAILER CLEARANCE	MA 1 B
RE03	RELAY TRAILER MARKER	AC 1 C
RE03	RELAY TRAILER MARKER	MA 2 B
RE04	EFRC RELAY, EMS	AC 2 C
RE04	EFRC RELAY, EMS	AG 2 B
RE05	EFRC RELAY, IGN	AC 2 C
RE06	RELAY BRK CAND CONDITIONER/ SRVC TABS6	AD 2 B

REF	DESCRIPTION	PAGE
RE06	RELAY BRK CAND CONDITIONER/ SRVC TABS6	AK 2 D
RE06	RELAY BRK CAND CONDITIONER/ SRVC TABS6	BP 2 B
RE07	VOLVO FUEL COOLER CUMMINS DEF MODE	AD 3 B
RE07	VOLVO FUEL COOLER CUMMINS DEF MODE	CN 1 B
RE08	CES SPARE	AD 2 D
RE08	CES SPARE	CP 3 B
RE09	UREA HEATER TANK TO PUMP	AD 0 D
RE09	UREA HEATER TANK TO PUMP	CP 1 B
RE10	UREA HEATER PUMP TO INJ.	AD 1 D
RE10	UREA HEATER PUMP TO INJ.	CP 1 B
RE11	UREA HEATER BACKFLOW	AD 1 D
RE11	UREA HEATER BACKFLOW	CP 2 B
RLY01	ACCESSORY POWER	AB 4 B
RLY01	ACCESSORY POWER	AQ 1 D
RLY02	RADIO WAKE	AB 3 D
RLY02	RADIO WAKE	KE 0 B
RLY02	RADIO WAKE	KF 1 B
RLY02	RADIO WAKE	KG 0 B
RLY02	RADIO WAKE	KL 0 B
RLY02	RADIO WAKE	KM 2 B
RLY02	RADIO WAKE	KN 0 B
RLY03	ROOF MARKER	AA 0 D
RLY03	ROOF MARKER	GC 1 B
RLY04	VENDOR START ENABLE	AB 0 D
RLY04	VENDOR START ENABLE	CL 1 B
RLY05	OPEN	AB 0 E
RLY06	OPEN	AB 0 E
RLY07	SNOW PLOW RH	AB 2 A
RLY07	SNOW PLOW RH	GI 1 C
RLY08	SNOW PLOW LH	AB 2 A
RLY08	SNOW PLOW LH	GI 2 C
RLY09	DOME/DOOR LAMPS	AA 1 D
RLY09	DOME/DOOR LAMPS	IA 2 B
RLY10	RELAY, CITY HORN	AA 0 B
RLY10	RELAY, CITY HORN	GQ 1 C
RLY11	START ENABLE	AB 2 B
RLY11	START ENABLE	AK 1 D
RLY11	START ENABLE	DA 0 B
RLY11	START ENABLE	DB 2 B
RLY11	START ENABLE	DF 2 B
RLY12	OPEN REMOTE START	AB 1 D
RLY12	OPEN REMOTE START	BM 5 A
RLY13	SNOW PLOW LCM INPUT	AB 3 A
RLY13	SNOW PLOW LCM INPUT	GI 3 C
RLY14	LIFT AXLE/ REVERSE SIGNAL	AB 2 C
RLY14	LIFT AXLE/ REVERSE SIGNAL	FB 3 A
RLY14	LIFT AXLE/ REVERSE SIGNAL	FE 1 A
RLY14	LIFT AXLE/ REVERSE SIGNAL	GK 1 B
RLY15	ALLISON BODYBUILDER	AB 2 B
RLY15	ALLISON BODYBUILDER	DF 3 B

REFERENCES

REF	DESCRIPTION	PAGE
RLY16	ALLISON BODYBUILDER	AA 3 B
RLY16	ALLISON BODYBUILDER	DF 4 B
RLY17	POWER IGNITION 1	AB 0 B
RLY17	POWER IGNITION 1	AQ 0 D
RLY18	I-SHIFT PWR.	AA 2 B
RLY18	I-SHIFT PWR.	DA 1 B
RLY19	EMS2	AB 1 A
RLY19	EMS2	AG 1 B
RLY20	IGN+	AA 4 C
RLY20	IGN+	AQ 1 C
RLY21	PTO	AB 1 D
RLY21	PTO	DP 1 B
RLY22	ECS POWER	AA 4 B
RLY22	ECS POWER	EB 4 B
RLY22	ECS POWER	EH 4 B
RLY23	INTERMITTENT WIPER	AA 3 E
RLY23	INTERMITTENT WIPER	GP 1 B
RLY24	INTERMITTENT WIPER	AA 4 E
RLY24	INTERMITTENT WIPER	GP 0 B
RLY25	REMOTE THROTTLE DEC	AB 2 E
RLY25	REMOTE THROTTLE DEC	AH 3 B
RLY26	REMOTE THROTTLE INC	AB 1 E
RLY26	REMOTE THROTTLE INC	AH 2 B
RLY41	RELAY, PARK BRAKE	HB 4 D
RLY41	RELAY, PARK BRAKE	HK 5 D
RLYER5	RELAY, METHANE DETECT	CM 0 C
RLYER6	RELAY METHANE DETECTOR	CM 0 C
S01	Switch, main lighting, selector type	GA 1 B
S04	SWITCH, CLIMATE FAN SELECTOR TYPE	HB 0 B
S04	SWITCH, CLIMATE FAN SELECTOR TYPE	HK 1 B
S05A	SWITCH, INTERIOR LIGHTING	HD 0 B
S05A	SWITCH, INTERIOR LIGHTING	HF 0 B
S05A	SWITCH, INTERIOR LIGHTING	HG 2 D
S06	Stalk switch, windscreen wiper, selector	BA 2 B
S07	SWITCH, ENGINE BRAKE SELECTOR TYPE	AJ 2 C
S07B	SWITCH, ENGINE BRAKE ON/OFF	AJ 2 B
S08	SWITCH, DIFFERENTIAL GEAR LOCK, INTERWHEE	FD 1 B
S09	SWITCH, DIFFERENTIAL GEAR LOCKS, INTERA	FD 2 B
S11A	SWITCH, LIFT AXLE	FB 0 C
S11B	SWITCH, LIFT AXLE	FB 1 C
S11C	SWITCH, LIFT AXLE	FB 2 C
S11E	SWITCH, SUSP. CTRL. UP/DOWN	EB 3 D
S11E	SWITCH, SUSP. CTRL. UP/DOWN	EH 3 D
S12	SWITCH, SNOWPLOW LAMP	GI 2 B
S15	Switch, Key switch	AQ 1 B
S28A	Switch, power take off 1	DP 2 C
S28B	Switch, power take off 2	DP 3 C
S28C	Switch, power take off 3	DP 4 C
S28J	SWITCH, DUAL PTO ISHIFT	BM 3 B
S31	SWITCH, TCS (TRACTION CONTROL SYSTEM)	EC 3 B

REF	DESCRIPTION	PAGE
S41	Switch, battery main switch control	AM 1 B
S43	PRESSURE SWITCH, PARKING BRAKE INDICATOR,	AH 4 D
S43A	SWITCH, PRESSURE PARK BRAKE, N.C.	DF 2 E
S43B	PRESSURE SWITCH, PARK BRAKE N.C.	DB 2 D
S43C	TRAILER PARK DETECTION SWITCH, N.C.	GA 3 B
S45BB	VOLVO	BB 2 B
S45BC	ROCKWELL	BB 2 B
S48A	PRESS SW, BRAKELIGHT N/O	GB 2 E
S49	Position switch, reverse lamps, NO.	GK 0 A
S58	Position Switch, Clutch Pedal	AI 3 B
S59	Position switch, brake pedal, NO.	AI 3 C
S61A	Position Switch, Seat Belt Lock, NO	IR 1 D
S75	SWITCH, BEACON WARNING LIGHT	GJ 1 B
S76	SWITCH, SPOTLIGHTS	GG 0 C
S80DS	SWITCH DRIVER DOOR CONT PANEL	IC 1 B
S80PS	SWITCH PASS. DOOR CONT PANEL	IC 3 B
S89	Position switch, Hood tilt	BM 5 B
S93	SWITCH, SUSPENSION DUMP	FC 0 B
S94A	SWITCH 5TH WHEEL SLIDE	FC 2 B
S97	SWITCH, INSIDE/OUTSIDE AIR CLEANER	CH 2 B
S101	Switch Electric Clutch UltraShift Plus	DB 0 C
S104A	SWITCH, AUX 1	NA 1 C
S104B	SWITCH, AUX 2	NA 2 C
S104C	SWITCH, AUX 3	NA 3 C
S104D	SWITCH, AUX 4	NA 4 C
S115	Switch, Door lock	IF 3 C
S169	Switch, Battery Main	AF 2 B
S169	Switch, Battery Main	AM 1 C
S169	Switch, Battery Main	AQ 3 B
S169	Switch, Battery Main	HI 1 A
S169A	SW, BATT BI-STABLE	AM 3 D
S171	SWITCH, GEAR LEVER I-SHIFT	DA 1 D
S171A	SWITCH GEAR LEVER I-SHIFT PUSH BUTTON	DA 3 D
S202	Switch, LDWS, Lane Departure Warning Sys	JG 0 B
S212	SWITCH HILL ASSIST	EC 4 B
S223	SWITCH, ECO ROLL	AH 1 E
S234A	SWITCH, HEATED WINDSHIELD	IB 2 B
S283	Switch, interior light, storage, rear she	HE 4 C
S283RR	Switch, interior light, storage, rear she	HE 4 B
S311	Switch, Alt. load distribution/Maximum tr	EH 3 B
S316	SWITCH ENGINE START ENGINE REAR	BM 3 A
S359	SWITCH, DRL OVERRIDE	GB 3 D
S365	SWITCH BRIGHTWORK LAMPS	IH 4 B
S369A	SW.IWDL 3RD AXLE ENGAGED	BB 1 A
S369F	SW.IWDL FRONT ENGAGED	BB 1 A
S369R	SW.IWDL REAR-REAR ENGAGED	BB 1 A
S370	SWITCH, AIR SUSP MANUAL CONTROL ON\OFF	EB 2 D
S370	SWITCH, AIR SUSP MANUAL CONTROL ON\OFF	EH 2 D
S371	SWITCH, DIFF LOCK EATON	BB 2 B
S431P	SWITCH PUSHER OVERRIDE	FE 1 B

## REFERENCES

REF	DESCRIPTION	PAGE
S468	SWITCH TOUCH LOCK	FF 1 C
S493	SWITCH BRAKE AUTO NEUTRAL	DF 3 D
S519	SWITCH PRE-TRIP LAMP INSPECTION	BA 3 B
SK141A	SPLICE PACK, ILLUMINATION	BA 3 A
SK141A	SPLICE PACK, ILLUMINATION	BM 3 A
SK141A	SPLICE PACK, ILLUMINATION	DB 1 A
SK141A	SPLICE PACK, ILLUMINATION	DP 2 A
SK141A	SPLICE PACK, ILLUMINATION	GB 0 A
SK141A	SPLICE PACK, ILLUMINATION	HB 0 A
SK141A	SPLICE PACK, ILLUMINATION	IB 1 A
SK141A	SPLICE PACK, ILLUMINATION	IF 3 A
SK141A	SPLICE PACK, ILLUMINATION	IH 4 A
SK141A	SPLICE PACK, ILLUMINATION	JG 0 A
SK141B	SPLICE PACK, ILLUMINATION	AH 0 A
SK141B	SPLICE PACK, ILLUMINATION	AJ 1 A
SK141B	SPLICE PACK, ILLUMINATION	DE 4 A
SK141B	SPLICE PACK, ILLUMINATION	EB 4 A
SK141B	SPLICE PACK, ILLUMINATION	EC 3 A
SK141B	SPLICE PACK, ILLUMINATION	EH 4 A
SK141B	SPLICE PACK, ILLUMINATION	FC 2 A
SK141B	SPLICE PACK, ILLUMINATION	FD 0 A
SK141B	SPLICE PACK, ILLUMINATION	FE 1 A
SK141B	SPLICE PACK, ILLUMINATION	FF 0 A
SK141B	SPLICE PACK, ILLUMINATION	GB 1 A
SK141B	SPLICE PACK, ILLUMINATION	HE 3 B
SK141B	SPLICE PACK, ILLUMINATION	NA 1 A
SK141C	SPLICE PACK ILLUMINATION	BM 3 A
SK141C	SPLICE PACK ILLUMINATION	CH 1 A
SK141C	SPLICE PACK ILLUMINATION	DA 1 A
SK141C	SPLICE PACK ILLUMINATION	DP 2 A
SK141C	SPLICE PACK ILLUMINATION	FB 0 A
SK141C	SPLICE PACK ILLUMINATION	GB 1 A
SK141C	SPLICE PACK ILLUMINATION	GI 2 A
SKX03D	SPLICE PACK	AE 3 B
SKX03D	SPLICE PACK	BB 3 E
SKX03D	SPLICE PACK	BH 0 D
SKX03D	SPLICE PACK	BM 1 D
SKX03D	SPLICE PACK	CM 0 D
SKX03D	SPLICE PACK	GC 0 B
SKX03D	SPLICE PACK	GI 1 E
SKX03D	SPLICE PACK	HA 1 C
SKX03D	SPLICE PACK	HB 0 D
SKX03D	SPLICE PACK	IB 1 E
SKX03D	SPLICE PACK	IF 3 C
SKX03D	SPLICE PACK	KG 3 C
SKX03F_A	SPLICE PACK	AE 3 D
SKX03F_A	SPLICE PACK	BB 3 E
SKX03F_A	SPLICE PACK	BM 1 E
SKX03F_A	SPLICE PACK	DP 2 D
SKX03F_A	SPLICE PACK	FH 2 B

REF	DESCRIPTION	PAGE
SKX03F_A	SPLICE PACK	HE 3 C
SKX03F_A	SPLICE PACK	IB 1 D
SKX03F_A	SPLICE PACK	IC 1 D
SKX03F_A	SPLICE PACK	IH 3 B
SKX03F_A	SPLICE PACK	NA 0 D
SKX03F_A	SPLICE PACK	XB 4 D
SKX03F_B	SPLICE PACK	AE 3 D
SKX03F_B	SPLICE PACK	AH 1 E
SKX03F_B	SPLICE PACK	AJ 2 C
SKX03F_B	SPLICE PACK	BB 3 B
SKX03F_B	SPLICE PACK	EB 3 E
SKX03F_B	SPLICE PACK	EC 4 B
SKX03F_B	SPLICE PACK	EH 3 E
SKX03F_B	SPLICE PACK	FC 2 E
SKX03F_B	SPLICE PACK	FD 0 E
SKX03F_B	SPLICE PACK	FE 2 C
SKX03F_B	SPLICE PACK	FF 0 C
SKX03F_B	SPLICE PACK	XB 4 D
SKX03F_C	SPLICE PACK	AE 3 C
SKX03F_C	SPLICE PACK	BY 2 B
SKX03F_C	SPLICE PACK	CH 2 D
SKX03F_C	SPLICE PACK	DP 2 D
SKX03F_C	SPLICE PACK	EB 3 D
SKX03F_C	SPLICE PACK	EH 3 D
SKX03F_C	SPLICE PACK	FB 0 D
SKX03F_C	SPLICE PACK	GA 3 A
SKX03F_C	SPLICE PACK	GJ 2 D
SKX03F_C	SPLICE PACK	GK 0 C
SKX03F_C	SPLICE PACK	IG 1 D
SKX03F_C	SPLICE PACK	IR 1 E
SKX03F_C	SPLICE PACK	JH 1 B
SKX03F_C	SPLICE PACK	NA 2 D
TC01	J560 PLUG, 7 PIN	MA 0 D
TC02	J560 PLUG, 7 PIN	MA 2 D
TC03	J560 RECEPTACLE WITH QCS2, 7 PIN	MB 2 B
TC04	J560 PLUG, 7 PIN	MB 2 C
TC05	J560 PLUG, 7 PIN	MB 2 D
TC06	J560 PLUG, 7 PIN	MB 3 C
TC07	J560 PLUG, 7 PIN	MB 3 D
TC08	J560 RECEPTACLE WITH QCS2, 7 PIN	MB 0 D
TCBB02	BODY BUILDER JUNCTION BOX	MC 2 B
U01	STUD, POWER 1	AM 2 A
U01	STUD, POWER 1	AQ 2 A
U01	STUD, POWER 1	DB 0 E
V23	Diode, Water heater	CA 3 B
V32	LED, indicator, LCS (Lane Change support)	BB 3 D
X01F	FRAME RAIL GROUND STUD	AE 1 E
X01F	FRAME RAIL GROUND STUD	AL 0 C
X01F	FRAME RAIL GROUND STUD	AM 2 D
X01F	FRAME RAIL GROUND STUD	AN 1 D

## REFERENCES

REF	DESCRIPTION	PAGE
X01F	FRAME RAIL GROUND STUD	HI 1 A
X01F	FRAME RAIL GROUND STUD	HJ 2 E
X01F	FRAME RAIL GROUND STUD	HL 3 E
X02	STUD, ENGINE BLOCK	AE 2 C
X02	STUD, ENGINE BLOCK	AL 1 B
X02	STUD, ENGINE BLOCK	AN 1 C
X02	STUD, ENGINE BLOCK	CC 4 D
X02	STUD, ENGINE BLOCK	CL 3 B
X02	STUD, ENGINE BLOCK	CN 4 E
X03	STUD, CAB	AE 2 D
X03	STUD, CAB	AL 1 C
X03	STUD, CAB	AN 2 D
X03	STUD, CAB	CB 1 D
X03E	Ground Stud, Drivers Side Cockpit	EC 4 D
X07	Socket, 12V, Dashboard	IG 0 D
X07A	12V,DASH PWR OUTLET	IG 1 D
X07B	12V,DASH PWR OUTLET	IG 0 D
X07B.A	Socket 12V	IG 2 C
X07C	Socket, 12V	IG 3 C
X07C.A	Socket 12V	IG 2 C
X07D	Socket, 12V outlet, Dashboard	IG 0 D
X07E	SOCKET 12V	IG 2 C
X07F	SOCKET 12V	IG 3 C
X07G	SOCKET 12V	IG 4 D
X07K	SOCKET 12V	IG 3 C
X11	Connector, Engine	AK 1 B
X11	Connector, Engine	CB 1 C
X11	Connector, Engine	CD 1 C
X11	Connector, Engine	XD 1 B
X11	Connector, Engine	XF 4 D
X11	Connector, Engine	XI 1 B
X11A	CONNECTORS, CUMMINS ISX G ENGINE INTERFAC	CL 1 D
X11A	CONNECTORS, CUMMINS ISX G ENGINE INTERFAC	XH 0 B
X17A	Auxiliary Connector 1	NA 1 C
X17A1	CONNECTOR INTERNAL AUX SW POWER 1	NA 1 D
X17B	Auxiliary Connector 2	NA 2 C
X17B1	CONNECTOR INTERNAL AUX SW POWER 2	NA 2 D
X17C	Auxiliary Connector 3	NA 3 C
X17C1	CONNECTOR INTERNAL AUX SW POWER 3	NA 3 D
X17D	Auxiliary Connector 4	NA 4 C
X18	Fusible Link	AE 1 E
X18	Fusible Link	AL 0 B
X18	Fusible Link	AN 0 C
X18	Fusible Link	HJ 3 E
X18	Fusible Link	HL 3 E
X24	Socket, +12V Accessories power supply	IG 3 E
X35	Clockspring	BB 4 B
X41	B+, EJB	AA 1 A
X41	B+, EJB	AB 0 A
X41	B+, EJB	AQ 2 B

REF	DESCRIPTION	PAGE
X41A	EJB B+ LVD	AA 0 B
X41A	EJB B+ LVD	AB 4 B
X41A	EJB B+ LVD	AQ 2 C
X45	Receptacle Engine Heater 110V	CA 2 B
X62	Connector, Tail lift preparation	ND 1 C
X62A	Connector, Lift Gate	ND 2 B
X66A	USB PORT CHARGING	IG 4 B
X66B	USB PORT CHARGING	IG 4 C
X67	Connector, AUX, Audio	KE 3 B
X67	Connector, AUX, Audio	KL 4 B
X79	Connector, 12V, TV preparation kit	HE 2 B
X79	Connector, 12V, TV preparation kit	HF 1 D
X79	Connector, 12V, TV preparation kit	HG 3 B
X87	Connector, Cummins Crossover (14 way)	CP 4 D
X89	Connector, Water-in-fuel Sensor	CP 0 C
X90	Split connector, ground	AL 4 A
X91	Split connector, ground	AL 4 B
X92	Split connector, ground	AL 4 D
X93	Split connector, ground	AL 2 E
X94	Split connector, ground	AL 1 E
X95	Split connector, ground	AL 0 E
X117	Junction Box (1er)	AQ 3 B
X137A	STUD CAB GROUND	KE 2 C
X137A	STUD CAB GROUND	KF 4 C
X137A	STUD CAB GROUND	KG 3 D
X137A	STUD CAB GROUND	KL 3 D
X137A	STUD CAB GROUND	KM 4 C
X137A	STUD CAB GROUND	KN 3 C
X137B	CAB GND STUD	BE 2 E
X137B	CAB GND STUD	BF 3 B
X137B	CAB GND STUD	BJ 1 D
X145	Connector, USB	KO 2 A
X146A	CONNECTOR CUMMINS CES	CP 2 D
X194	CONNECTOR,TGW BODYBUILDER INTERFACE	BJ 2 E
X197	CONNECTOR EATS	CF 1 A
X197B	CONNECTOR EATS	CG 1 A
X200A	12V STUDS, CB DASH	IG 1 C
X200B	12V STUDS, CB OVERHEAD	IG 1 D
X201A	STUD BULKHEAD	JA 4 D
X203A	J1587 JUNCTION	XA 0 B
X203B	J1587 JUNCTION	XA 0 A
X203C	J1587 JUNCTION	XA 3 A
X203D	J1587 JUNCTION	XA 3 B
X204	12V SOCKET COOLER P S	IG 2 C
X205	12V, SOCKET PANEL	IG 2 E
X210	JUNCTION STARTER CABLES	AL 2 B
X210	JUNCTION STARTER CABLES	AM 4 C
X214	RS 232 PORT	JG 4 D
Y11	Solenoid valve unit, ABS, front left	EC 1 B
Y12	Solenoid valve unit, ABS, front right	EC 0 B

## REFERENCES

REF	DESCRIPTION	PAGE
Y13	Solenoid valve unit, ABS, rear left	EC 1 A
Y14	Solenoid valve unit, ABS, rear right	EC 0 D
Y15	Solenoid valve unit, ABS, lhs. 3:rd axle	EC 2 D
Y16	Solenoid valve unit, ABS, rhs. 3:rd axle	EC 2 D
Y18A	Solenoid valve, PTO1 (Power Take Off)	DP 1 D
Y18B	SOLENOID VALVE, DUAL PTO ENGINE MOUNTED	DP 4 D
Y18G	SOLENOID TRANS. PTO 1	DA 3 B
Y18H	SOLENOID TRANS. PTO 1	DP 0 D
Y18H	SOLENOID TRANS PTO 2	DA 3 B
Y18H	SOLENOID TRANS PTO 2	DP 0 B
Y25A	SOLENOID, LEVEL CONTROL DRIVE AXLES	EB 1 B
Y25A	SOLENOID, LEVEL CONTROL DRIVE AXLES	EH 1 B
Y29	Solenoid valve unit, trailing axle	EH 2 B
Y29A	SOLENOID, LEVEL CONTROL AUX. AXLE	EB 2 B
Y30A	Solenoid valve unit, gearbox	DA 4 C
Y35	Solenoid, Engine Fan	CB 2 B
Y35	Solenoid, Engine Fan	CC 2 A
Y35	Solenoid, Engine Fan	CL 3 E
Y35	Solenoid, Engine Fan	CN 0 B
Y35A	SOLENOID ENGINE FAN	CN 1 B
Y35E	SOLENOID, ENGINE FAN E-VISCO	CC 2 A
Y35E	SOLENOID, ENGINE FAN E-VISCO	CL 3 D
Y42	Clutch, magnetic, air conditioning compr	HA 1 D
Y51	Solenoid valve, Air dryer	FA 3 C
Y53	SOLENOID, ETHER START	CA 1 C
Y57A	SOLENOID VALVE TRACTION CONTROL ESP	ED 0 C
Y57B	SOLENOID VALVE DA TRACTION HSA CPC	EC 3 D
Y57C	SOLENOID VALVE SA TRACTION HSA	ED 0 D
Y64	Solenoid, Retarder Air Accumulator	DE 1 B
Y81	Solenoid valve, urea heating tank	CF 3 D
Y81	Solenoid valve, urea heating tank	CG 3 D
Y81A	Solenoid valve, urea heating tank	CP 1 C
Y100	SOLENOID VALVE TRAILER ABS ESP	ED 4 C
Y106	SOLENOID HILL ASSIST BRAKE	EC 3 D
Y195	SOLENOID B, 5TH Wheel RELEASE	FF 3 D
Z01	VEHICLE DIAGNOSTICS	XB 1 C

REF	DESCRIPTION	PAGE
Z03A	BODY BUILDER CONNECTOR #1	BH 0 C
Z03B	BODY BUILDER CONNECTOR #2	BH 2 B
Z03C	BODY BUILDER CONNECTOR #3	BM 2 E
Z03D	BODY BUILDER CONNECTOR #4	BM 4 E
Z03E	CUMMINS EXP BODYBUILDER CONNECTOR	CC 3 A
Z04	BODY BUILDER CAMERA PREP	BH 1 B
Z05	Solenoid Pack	CH 3 D
Z05	Solenoid Pack	FB 1 D
Z05	Solenoid Pack	FC 3 D
Z05	Solenoid Pack	FD 2 D
Z05	Solenoid Pack	FE 2 D
Z05	Solenoid Pack	FF 1 D
Z05	Solenoid Pack	GQ 2 C
Z06	STEERING WHEEL CONTACT REEL	BA 2 A
Z06	STEERING WHEEL CONTACT REEL	BB 3 A
Z06	STEERING WHEEL CONTACT REEL	JA 4 B
Z10	ONBOARD DIAGNOSTIC CONNECTOR VENDOR ENGIN	XB 2 D
Z10	ONBOARD DIAGNOSTIC CONNECTOR VENDOR ENGIN	XJ 2 D
Z10CA	OPTION CONNECTOR A, CAB SIDE	BH 2 D
Z10CB	OPTION CONNECTOR B, CAB SIDE	BH 3 D
Z10FA	OPTION CONNECTOR A, CHASSIS SIDE	BH 2 D
Z10FB	OPTION CONNECTOR B, CHASSIS SIDE	BH 3 D
Z11	BODY BUILDER RELS CONNECTOR	BH 3 D
Z13	OPTION CONNECTOR, SNOWPLOW LIGHTS	GI 1 D
Z15	CONNECTOR, BODYBUILDER - CAB SIDE	BH 1 E
Z16	CONNECTOR, BODYBUILDER	BH 1 D
Z17	RECEPTACLE, 120VAC	HC 1 D
Z17	RECEPTACLE, 120VAC	HI 2 D
Z18	RECEPTACLE, D.S. CABINET	HC 1 D
Z18	RECEPTACLE, D.S. CABINET	HI 3 C
Z19	RECEPTACLE, P.S. CABINET	HC 2 D
Z19	RECEPTACLE, P.S. CABINET	HI 3 C
Z20	RECEPTACLE, UNDER BUNK/ TABLE	HC 2 D
Z20	RECEPTACLE, UNDER BUNK/ TABLE	HI 4 C
Z21	QUALCOM OMNIVISION PREP KIT	BE 2 C